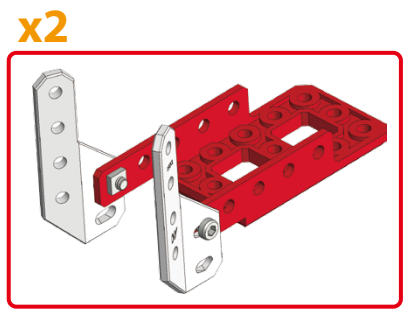
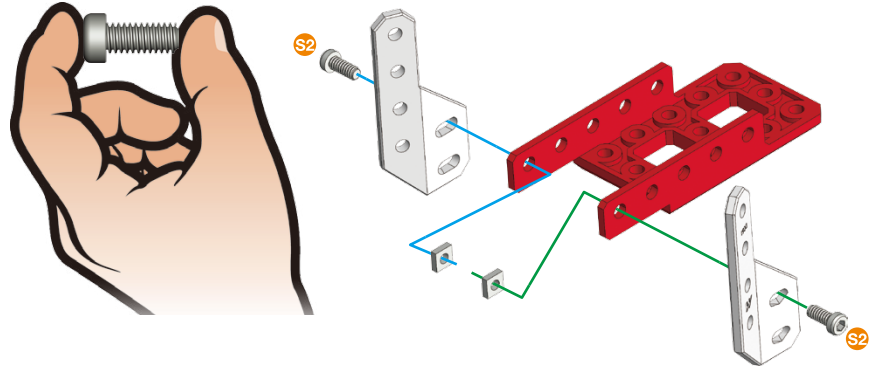




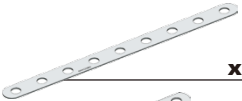
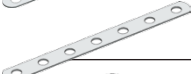




1

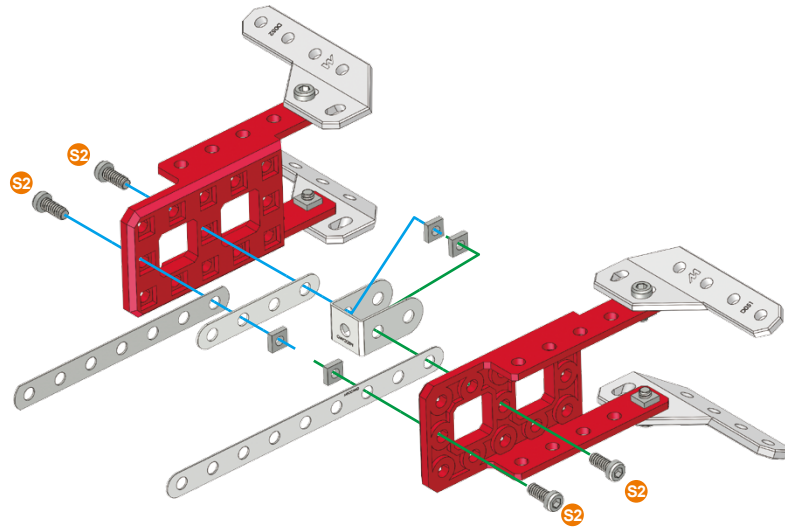
	x2		x2
	x2		x4
	x4		

	1:1
--	------------







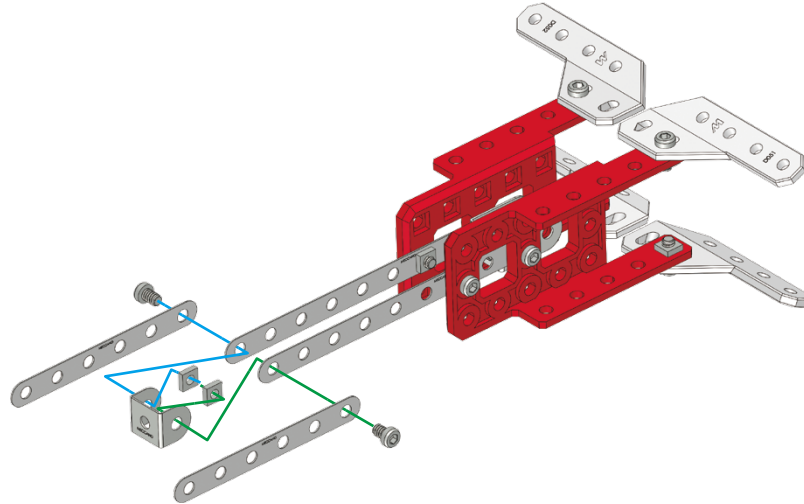
2

-  **x1**
-  **x1**
-  **x1**
-  **x1**
-  **x4**
-  **x4**



3

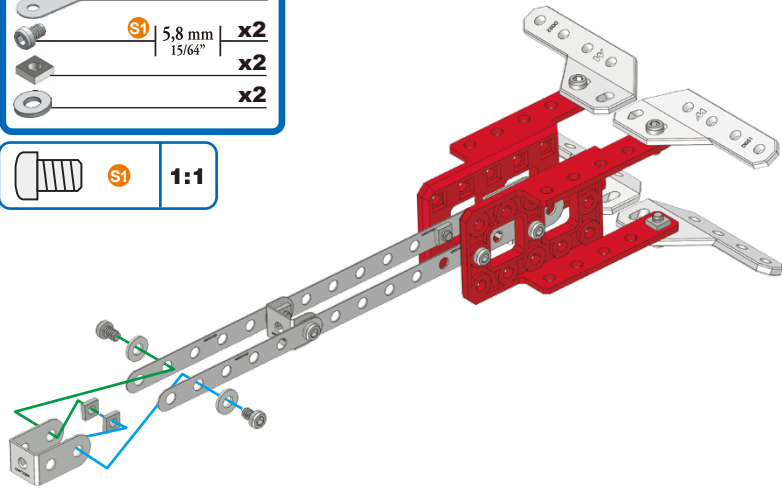
-  **x2**
-  **x1**
-  **x2**
-  **x2**



4

	x1
	x2
	x2
	x2

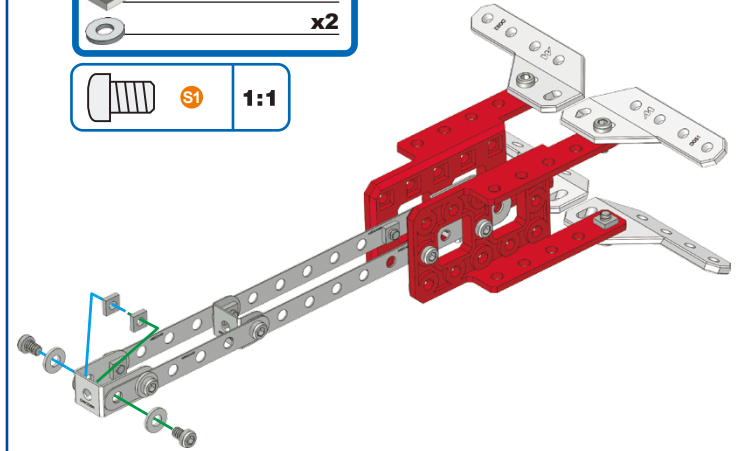
	1:1
--	-----



5

	x2
	x2
	x2

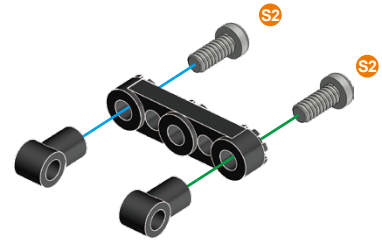
	1:1
--	-----



6

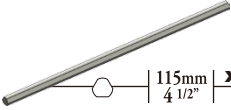


	x1
	x2
	x2

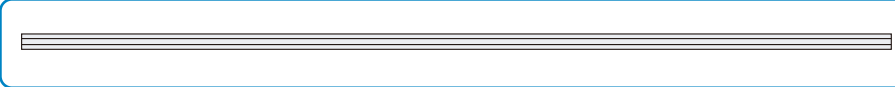
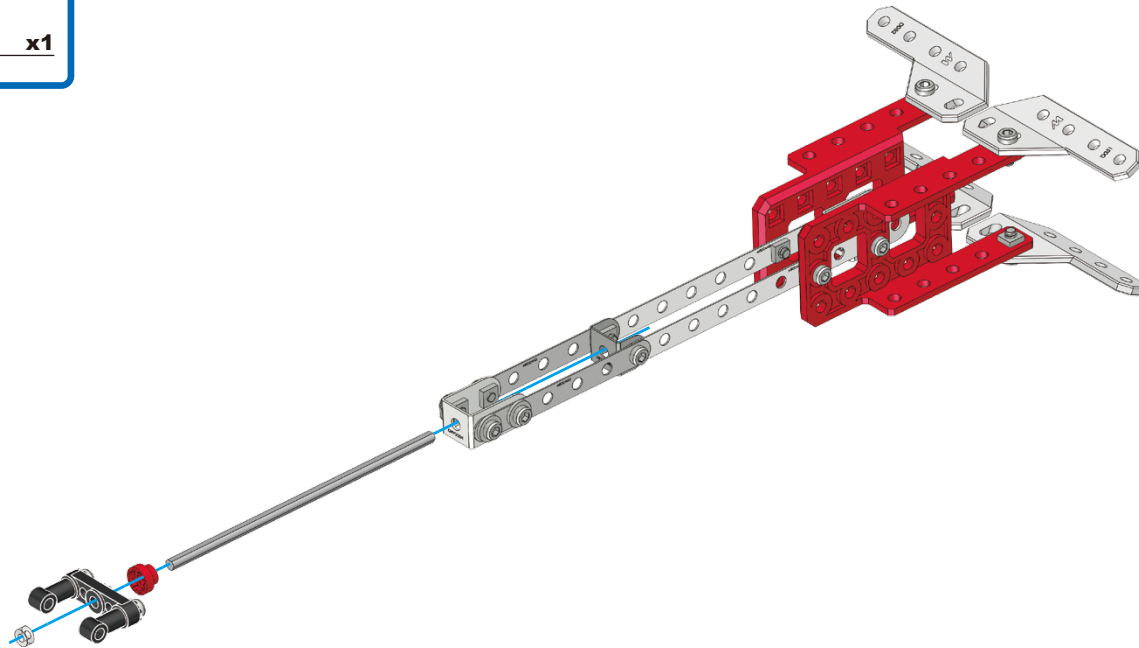
	1:1
--	-----



7

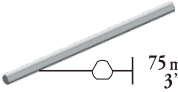


⑤ + ⑥ +

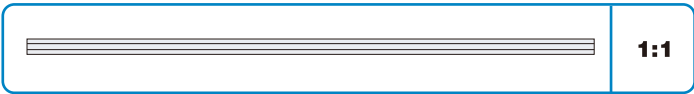
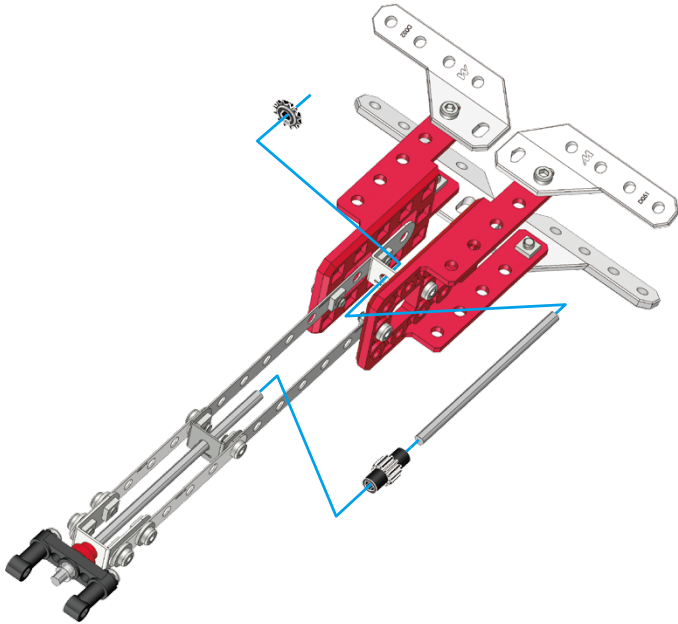
-  115mm
4 1/2" x1
-  x1
-  x1



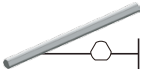



1:1

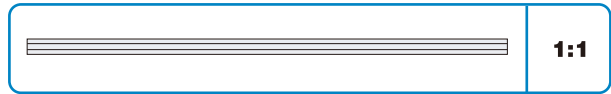
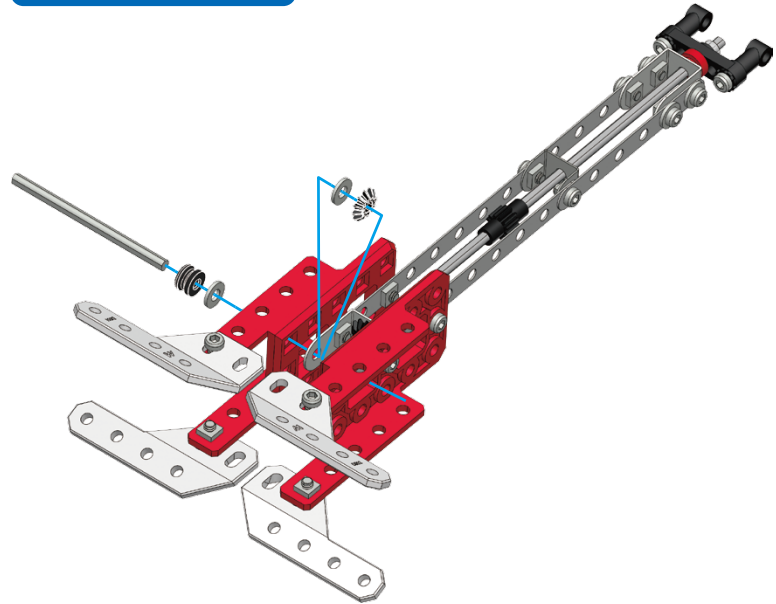
8

-  75 mm | 3" | **x1**
-  **x1**
-  **x1**






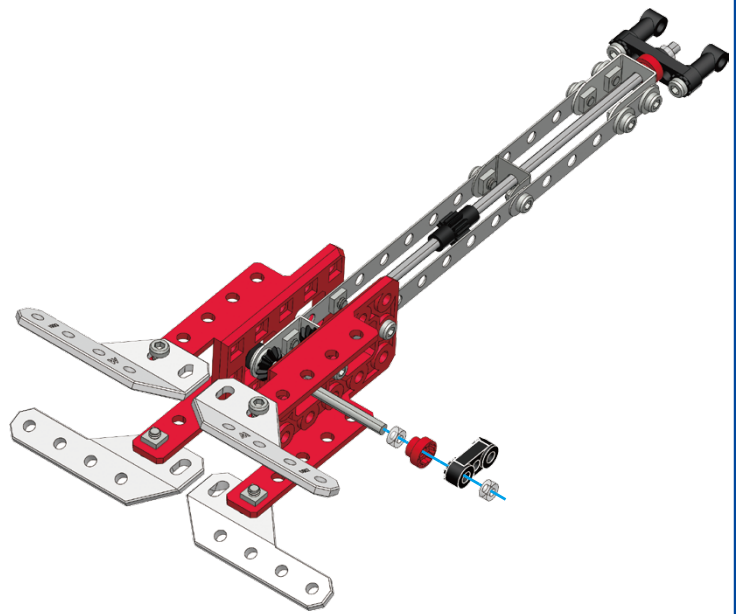
9

-  | 63,5 mm | 2 31/64" | **x1**
-  **x1**
-  **x1**
-  **x2**

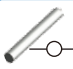



10

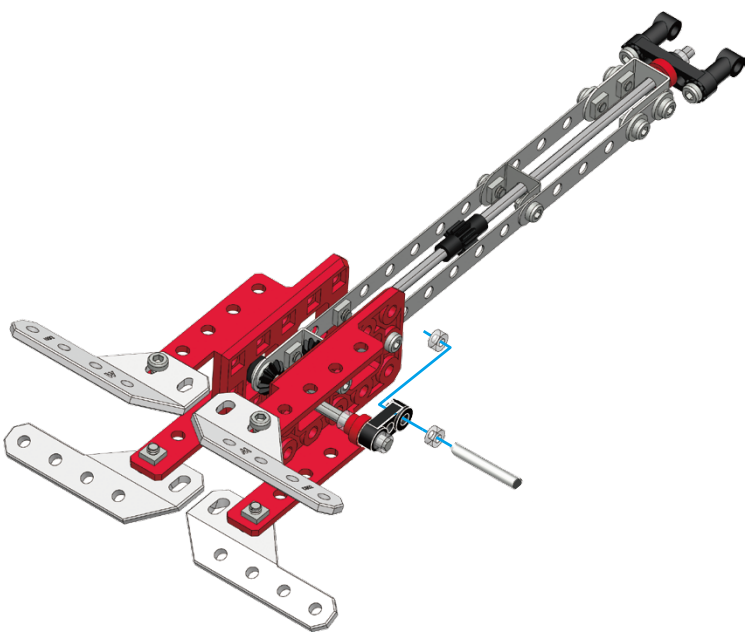
-  x1
-  x1
-  x2



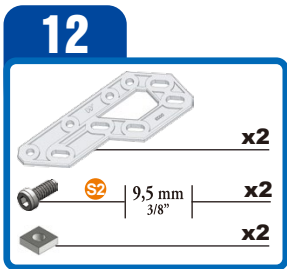
11

-  32mm
1 1/4" x1
-  x2

-  1:1



12



x2

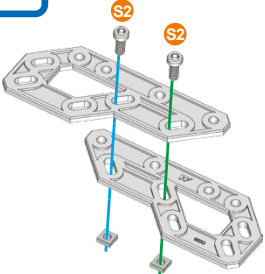
x2

x2

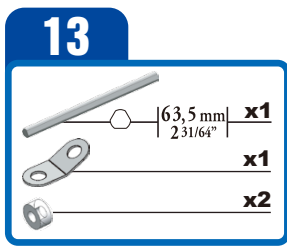


x2

1:1



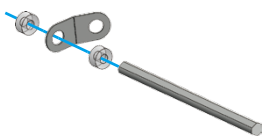
13



x1

x1

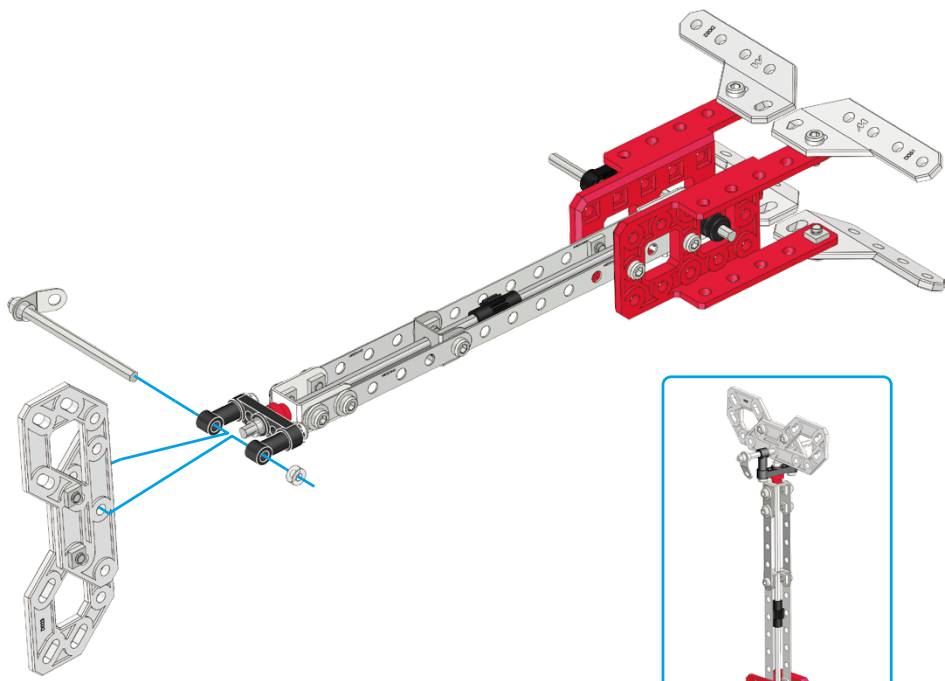
x2



14

x1

(11) + (12) + (13) +



1:1

