
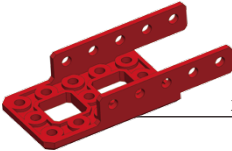


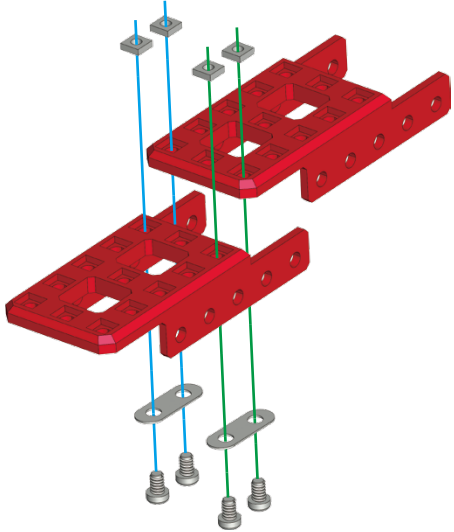
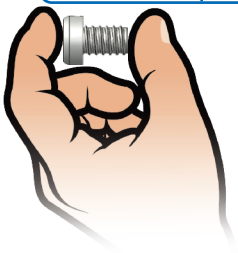







1

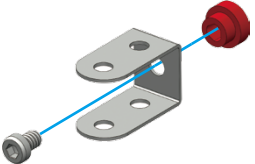
	S1 5,8 mm 15/64"	x4		x2
		x4		
		x2		

	S1	1:1
---	----	------------

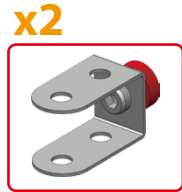


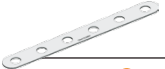


2

	x2	
	x2	
	S1 5,8 mm 15/64"	x2

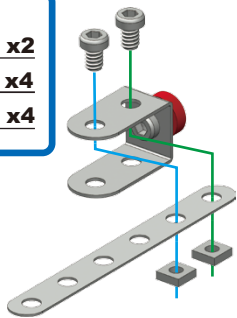


	S1	1:1
--	----	------------

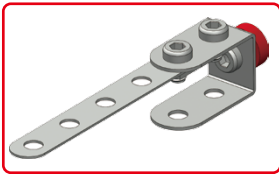



- 3**
-  **x2**
 -  **x4** | 5,8 mm | 15/64"
 -  **x4**

-  **1:1** | S1

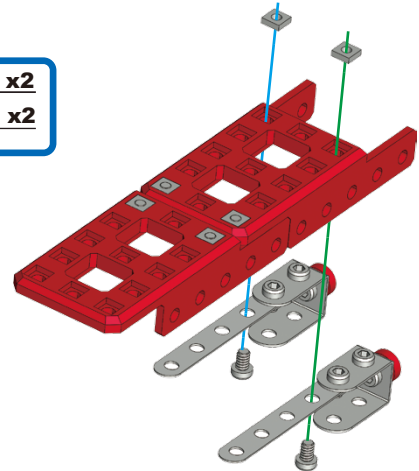


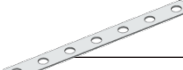



x2



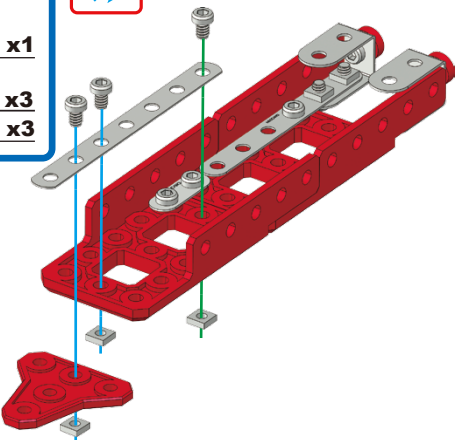
- 4**
-  **x2** | 5,8 mm | 15/64" | S1
 -  **x2**






-  **1:1** | S1



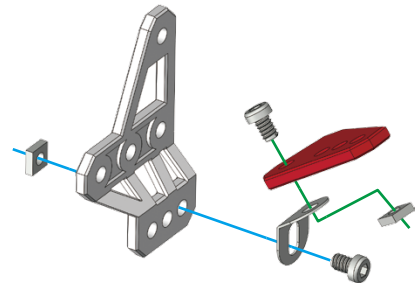
- 5**
-  **x1**
 -  **x1**
 -  **x3** | 5,8 mm | 15/64" | S1
 -  **x3**

-  **1:1** | S1






- 6**
-  **x1**
 -  **x1**
 -  **x1**
 -  **x2** | 5,8 mm | 15/64" | S1
 -  **x2**

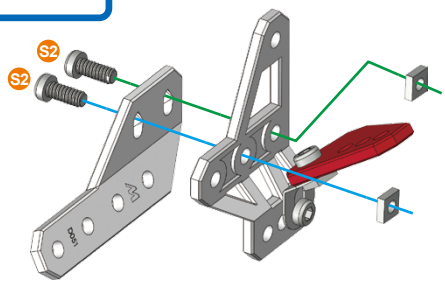
-  **1:1** | S1




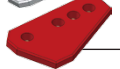



7

-  x1
-  9,5 mm | 3/8" x2
-  x2

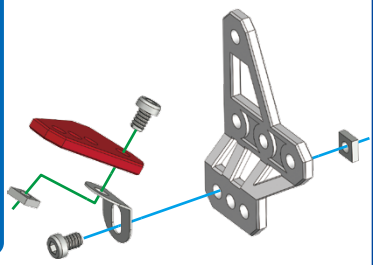
-  S2 1:1



9



-  x1
-  x1
-  x1
-  5,8 mm | 15/64" x2
-  x2

-  S1 1:1

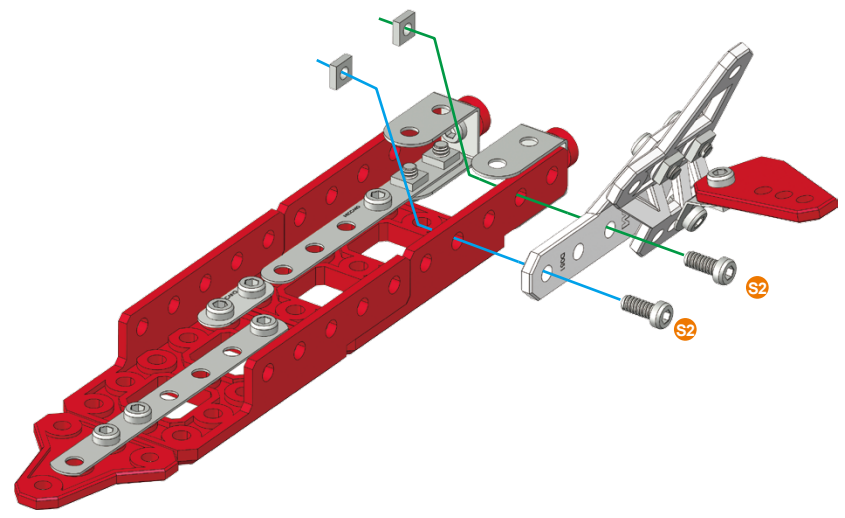


8

5 + 7 +

-  S2 9,5 mm | 3/8" x2
-  x2

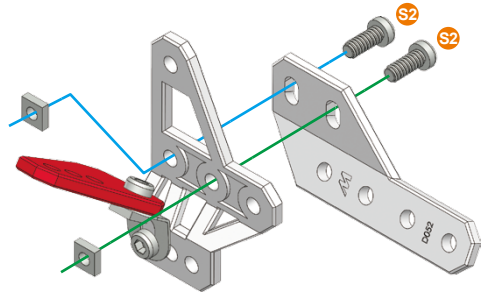
-  S2 1:1



10

	x1
	x2
	x2

	1:1
--	------------

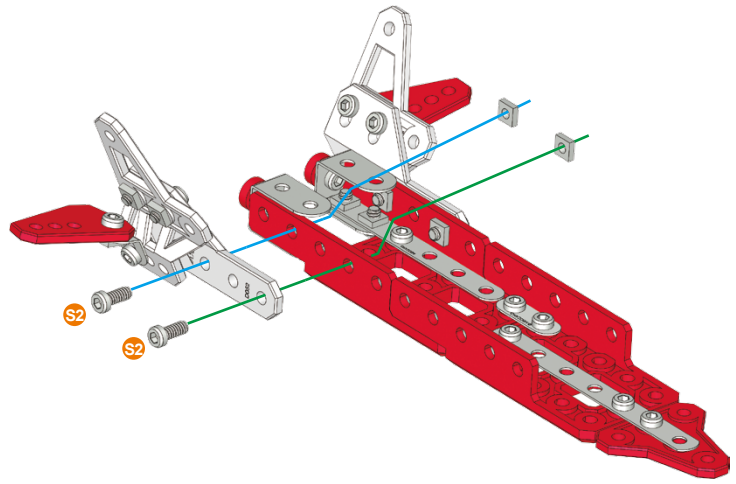


11 **8 + 10 +**

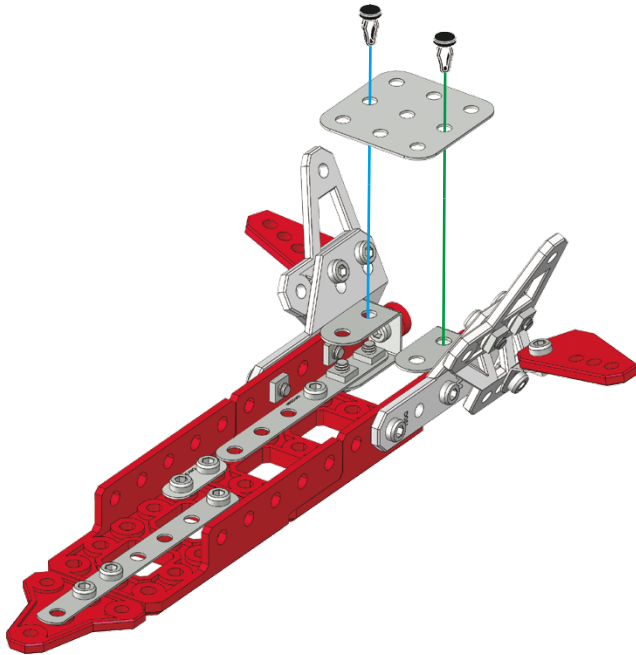
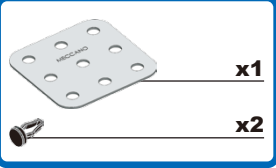
	x2
	x2



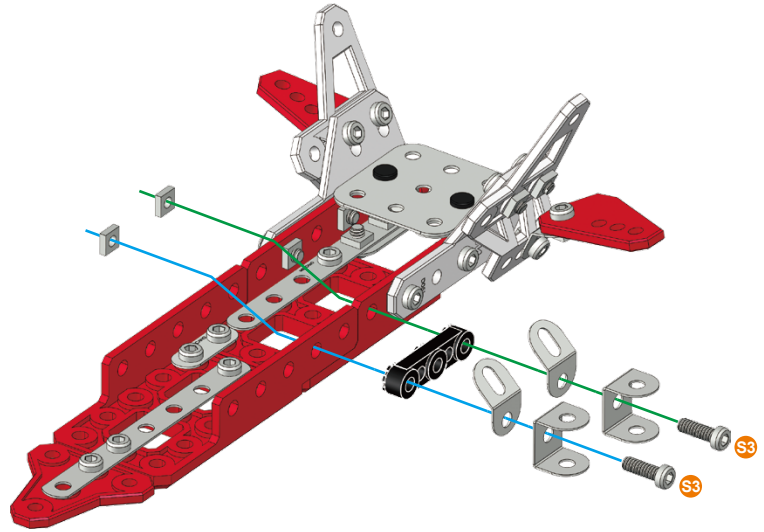
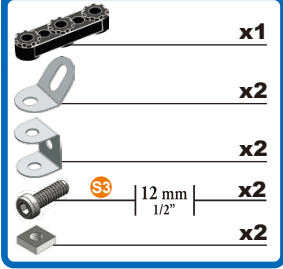
	1:1
--	------------







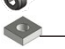
12

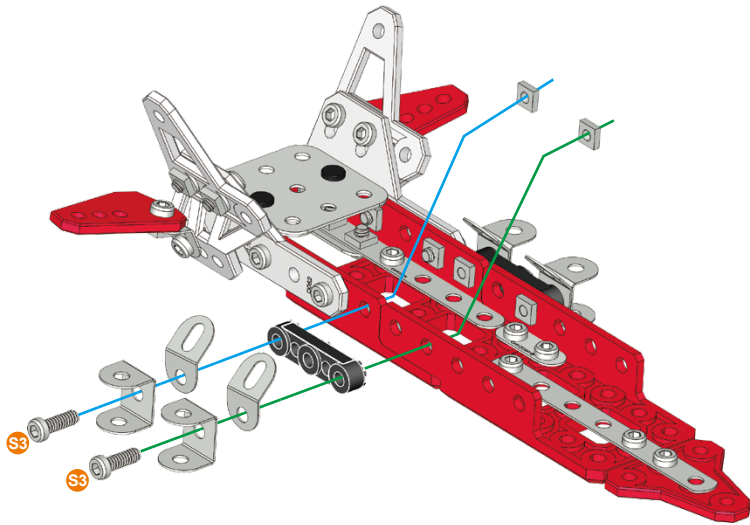


13





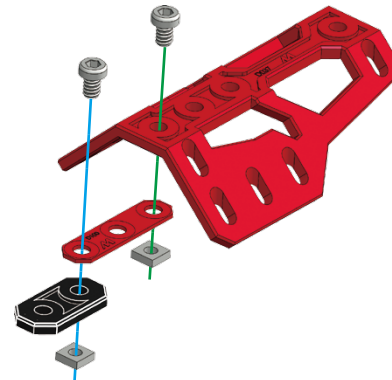
14

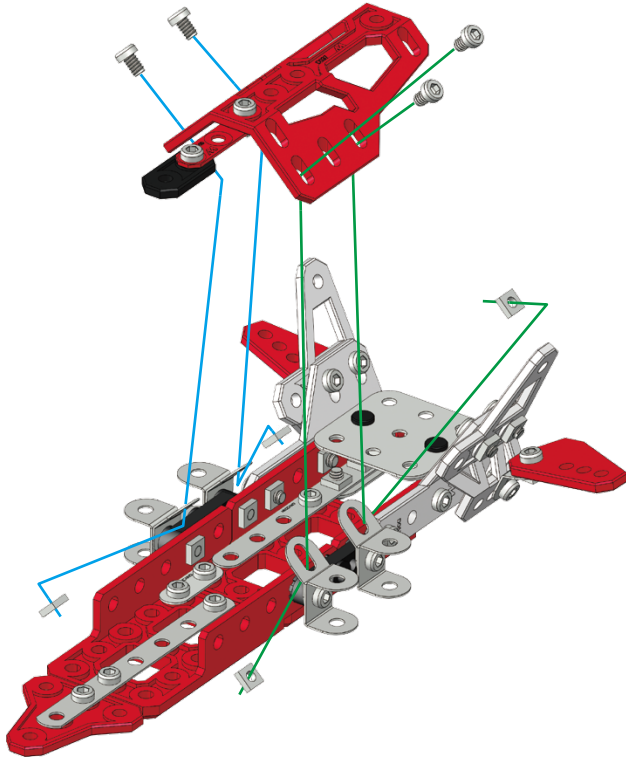
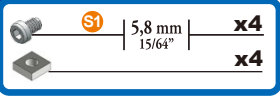
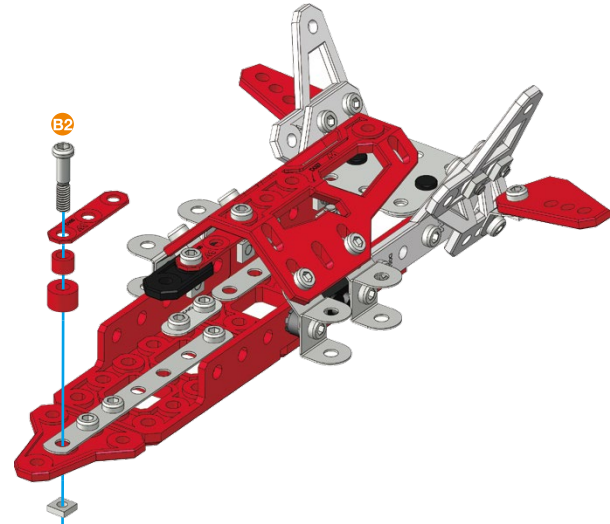
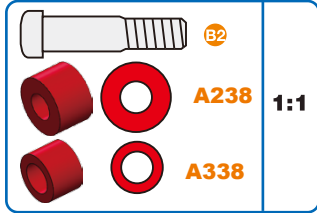
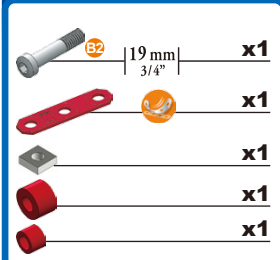
-  **x1**
-  **x2**
-  **x2**
-  | 12 mm | **x2**
-  | 1/2" | **x2**







15

-  **x1**
-  **x1**
-  **x1**
-  | 5,8 mm | **x2**
-  | 15/64" | **x2**

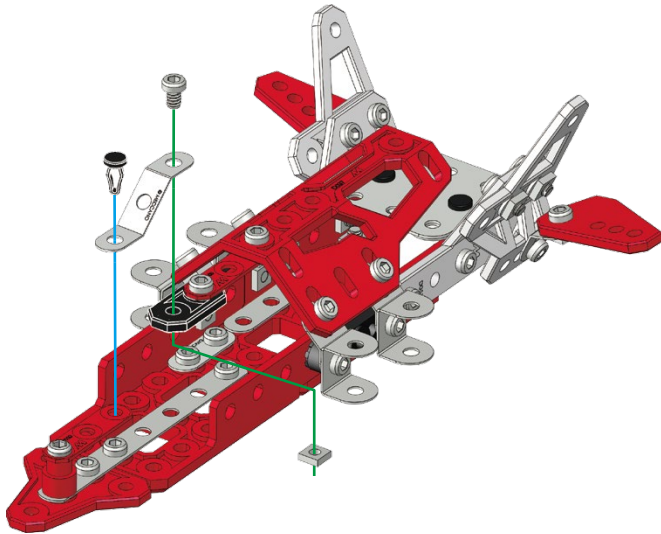


16**14 + 15 +****17**


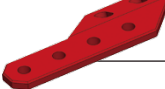


18

	x1
	x1
 5,8 mm 15/64"	x1
	x1

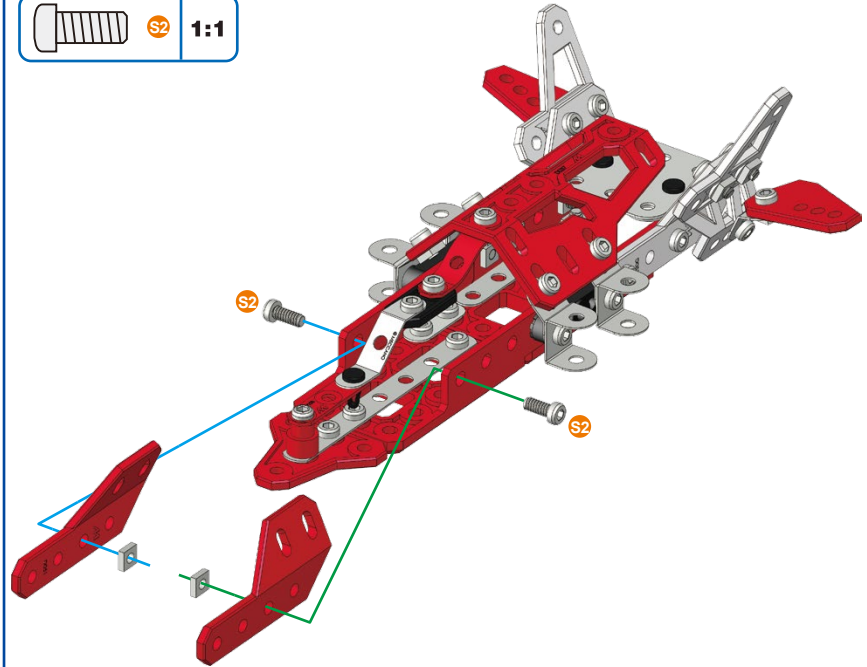
	S1	1:1
---	----	-----



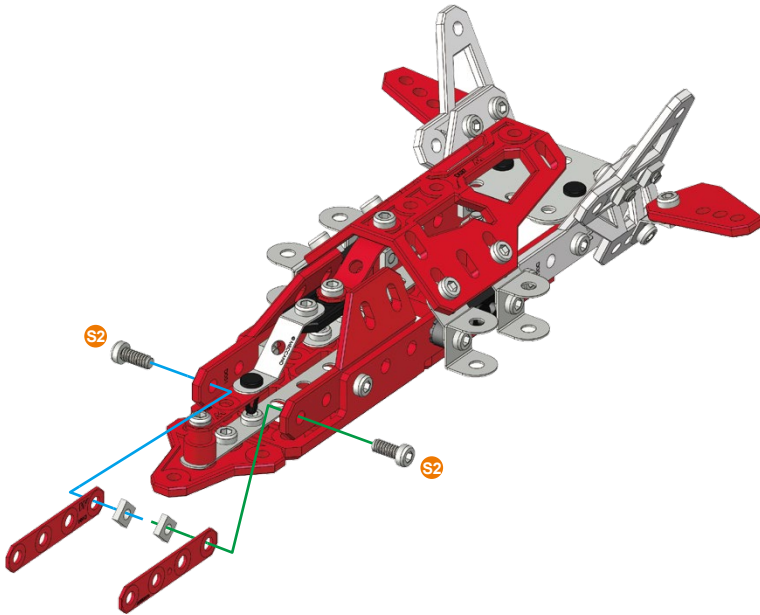
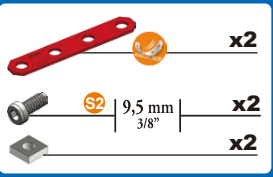
19

	x1
	x1
 9,5 mm 3/8"	x2
	x2

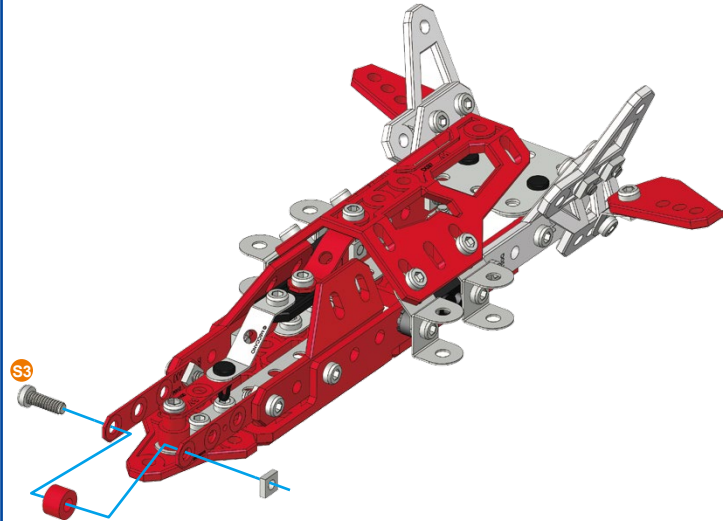
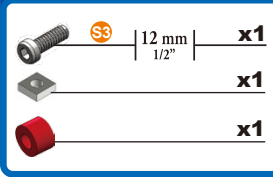
	S2	1:1
---	----	-----






20

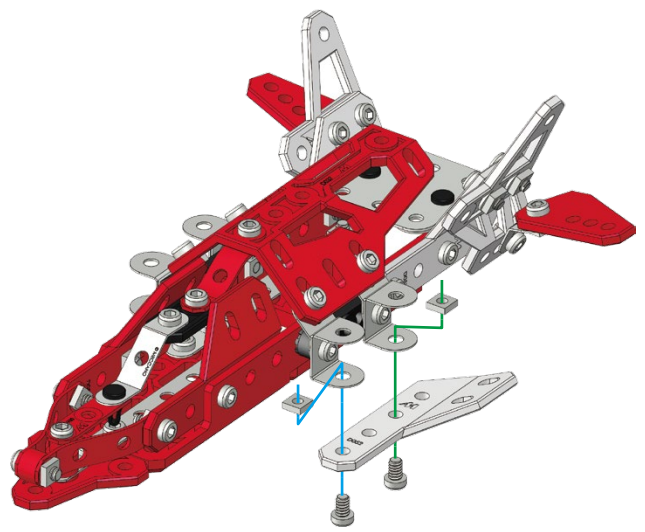


21









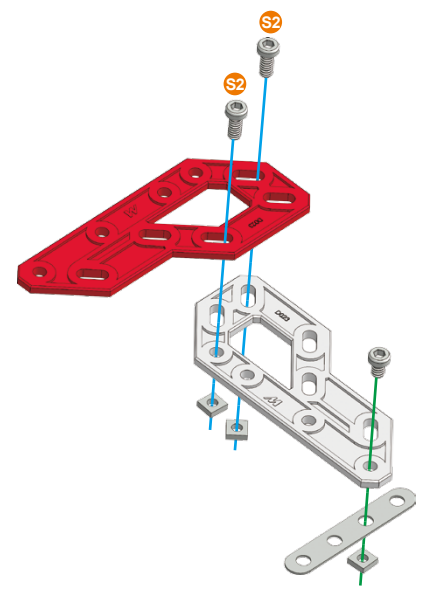
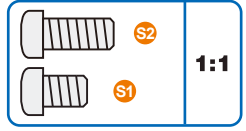
22

-  x1
-  | 5,8 mm | x2
15/64"
-  x2





23

-  x1
-  x1
-  x1
-  | 9,5 mm | x2
3/8"
-  | 5,8 mm | x1
15/64"
-  x3

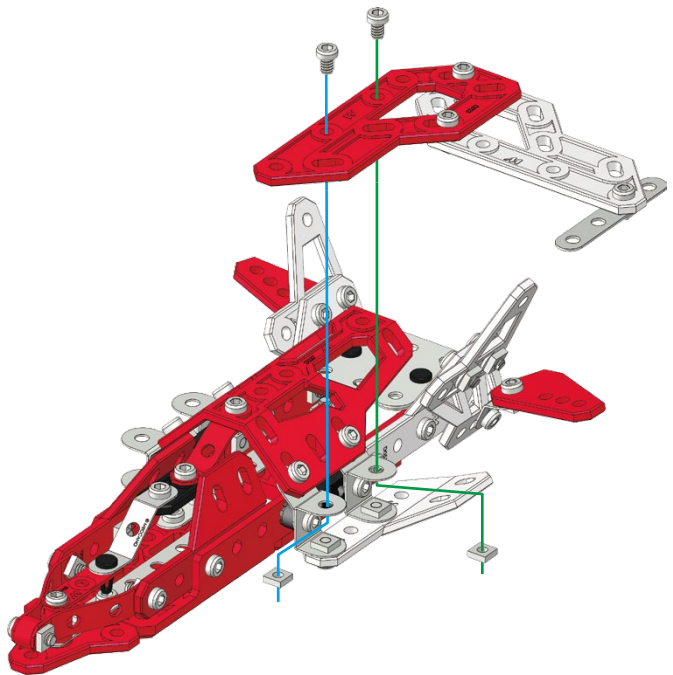


24

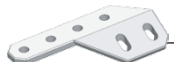


22+ 23+

-  | 5,8 mm | x2
1 5/64"
-  x2

-  | 1:1

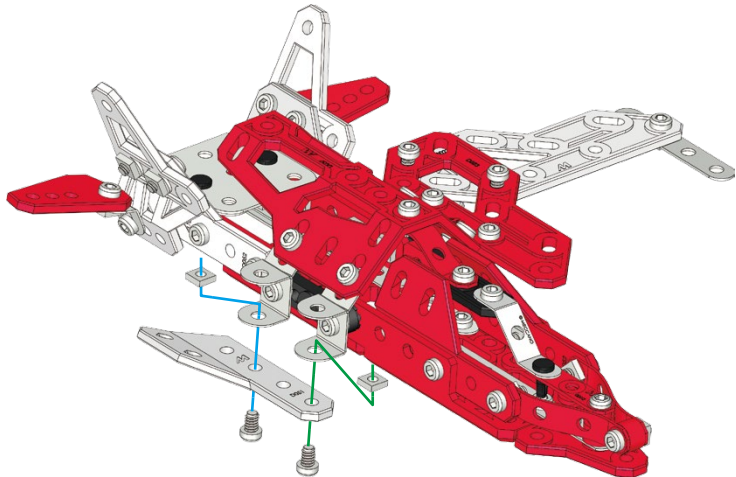


25






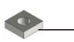
-  x1
-  | 5,8 mm | x2
1 5/64"
-  x2



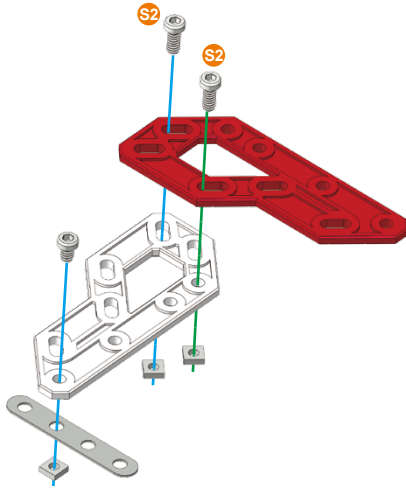
-  | 1:1



26


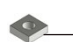
-  x1
-  x1
-  x1
-  9,5 mm | 3/8" | x2
-  5,8 mm | 15/64" | x1
-  x3

-  S2
-  S1
- 1:1



27

25 + 26 +

-  S1 | 5,8 mm | 15/64" | x2
-  x2

-  S1
- 1:1

