


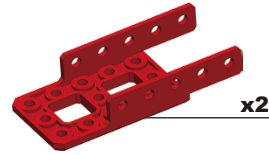
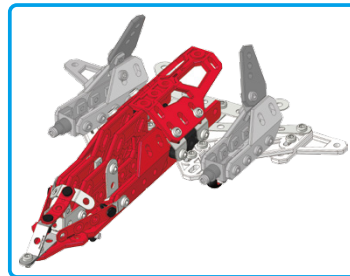
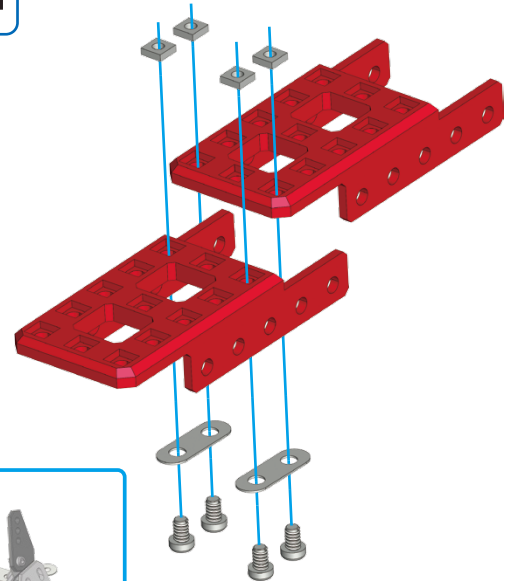
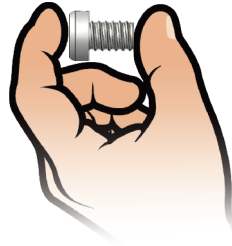


1

-  S1 | 5,8 mm | x4
1 5/64"
-  x4
-  x2



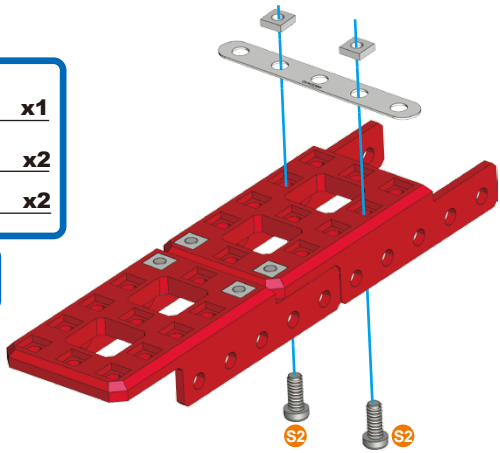
-  S1 | 1:1



2

	x1
	x2
	x2

	1:1
--	------------



3

	x2
	x2
	x2
	x2
	x2
	x2

		A238	1:1
--	--	-------------	------------

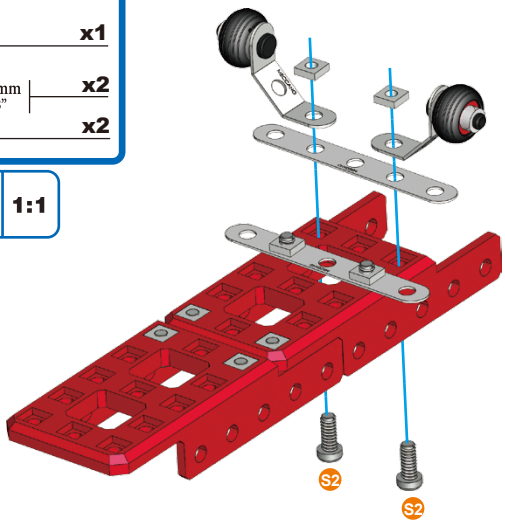


x2	
-----------	--

4 (2) + (3) +

	x1
	x2
	x2

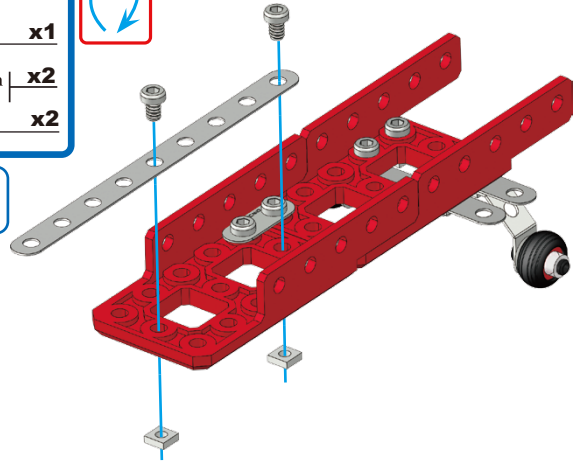
	1:1
--	------------






5

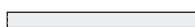
	x1
	x2
	x2

	1:1
--	------------





6

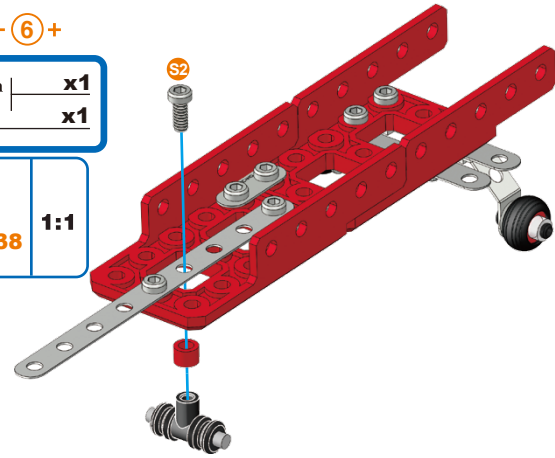
	25 mm 1"	x1
		x2
		x1



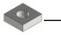
	1:1
---	------------

**7****(5) + (6) +**

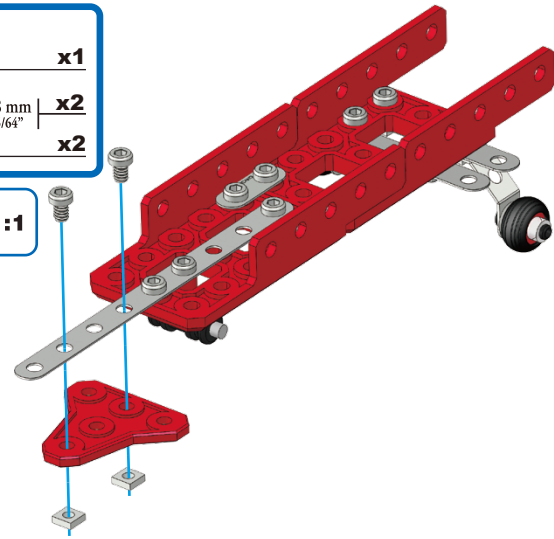
	9,5 mm 3/8"	x1
		x1




	S2	1:1
	A338	

**8**

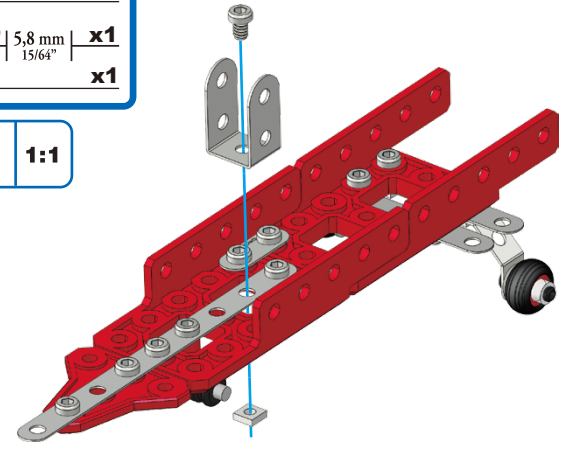
		x1
	5,8 mm 15/64"	x2
		x2

	S1	1:1
---	-----------	------------

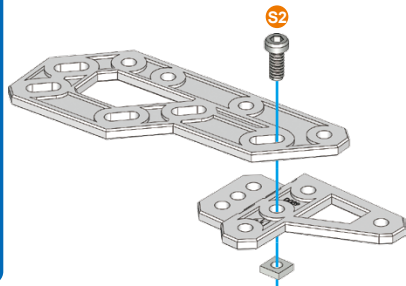
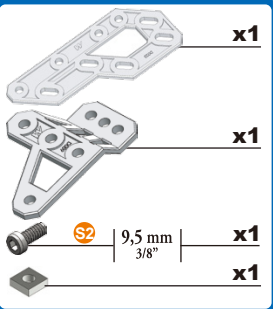
**9**

		x1
	5,8 mm 15/64"	x1
		x1

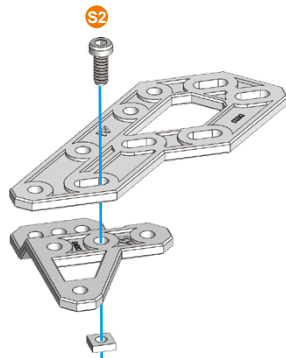
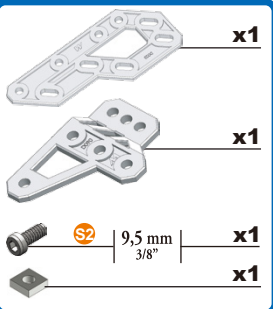
	S1	1:1
--	-----------	------------



10

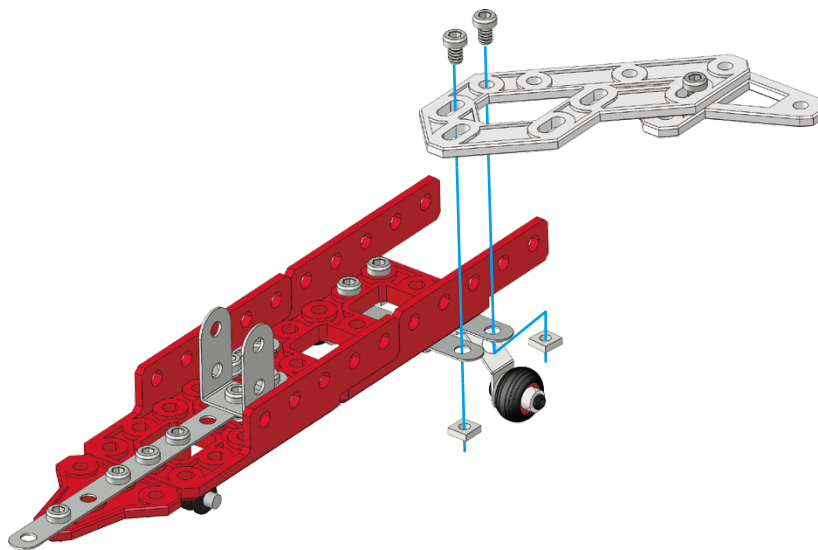


12



11

9 + 10 +

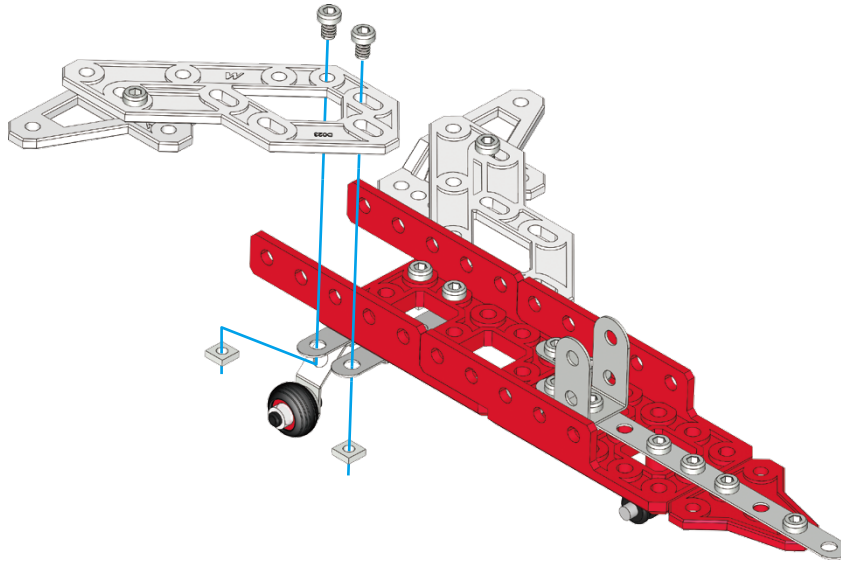



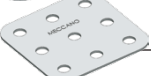


13**11+12+**

	S1 5,8 mm x2 15/64"
	x2

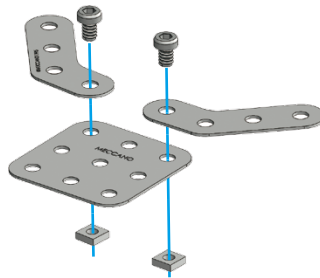




	S1 1:1
---	------------------------

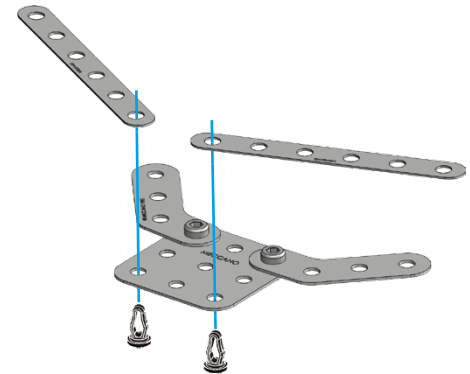
**14**

	x2
	x1
	S1 5,8 mm x2 15/64"
	x2

	S1 1:1
---	------------------------



**15**

	x2
	x2



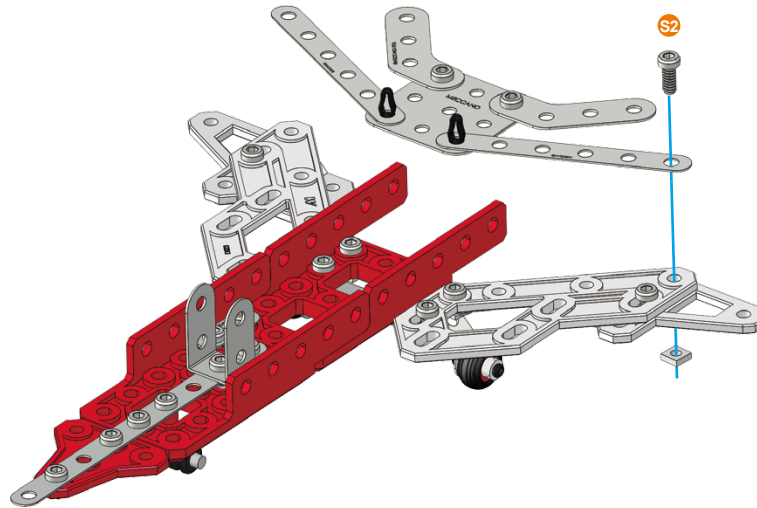
16

(13+15)+



	S2	9,5 mm 3/8"	x1
			x1

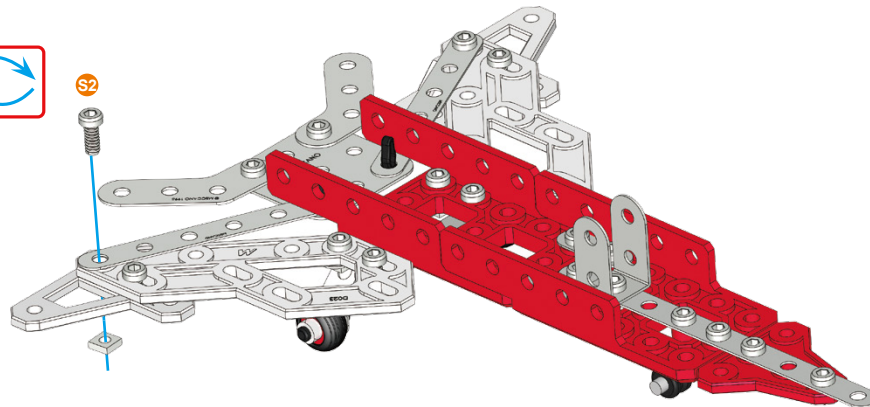


	S2	1:1
---	----	-----







17

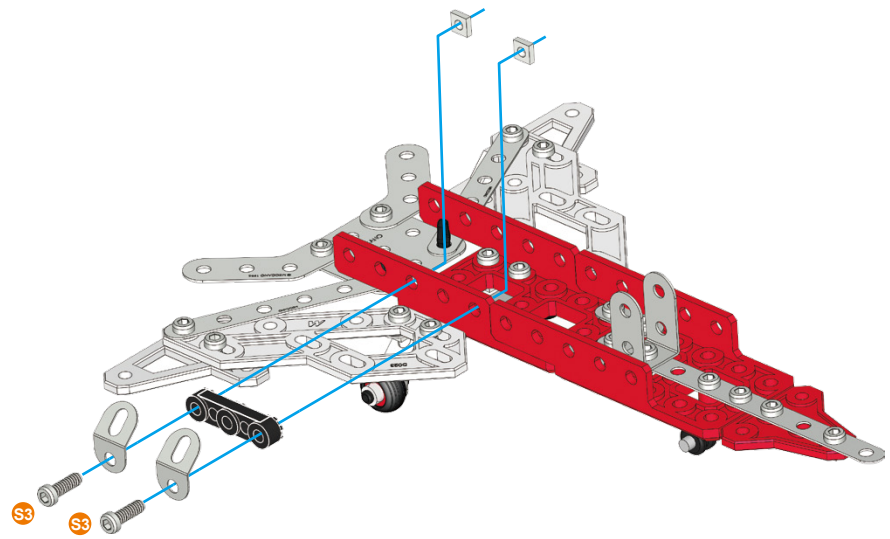
	S2	9,5 mm 3/8"	x1
			x1







18

-  **x1**
-  **x2**
-  | 12 mm | **x2**
1/2"
-  **x2**

-  **1:1**

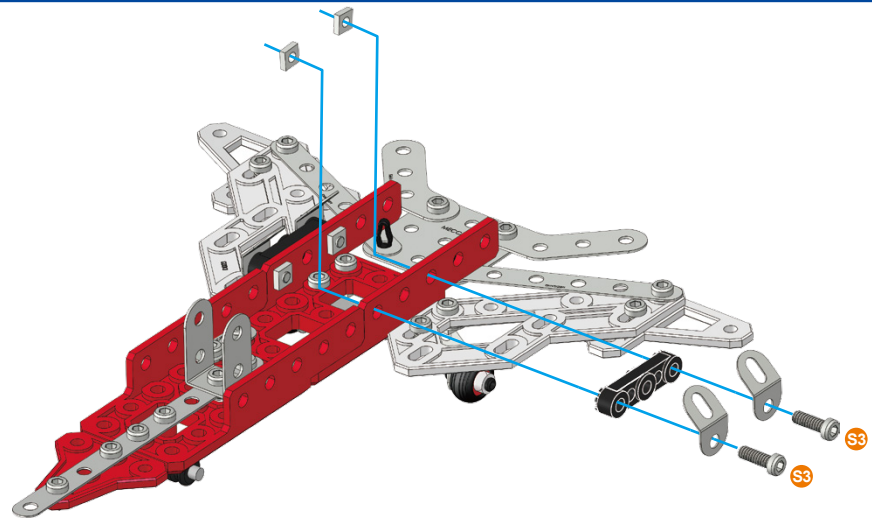


19


-  **x1**
-  **x2**
-  | 12 mm | **x2**
1/2"
-  **x2**




-  **1:1**




20



x1



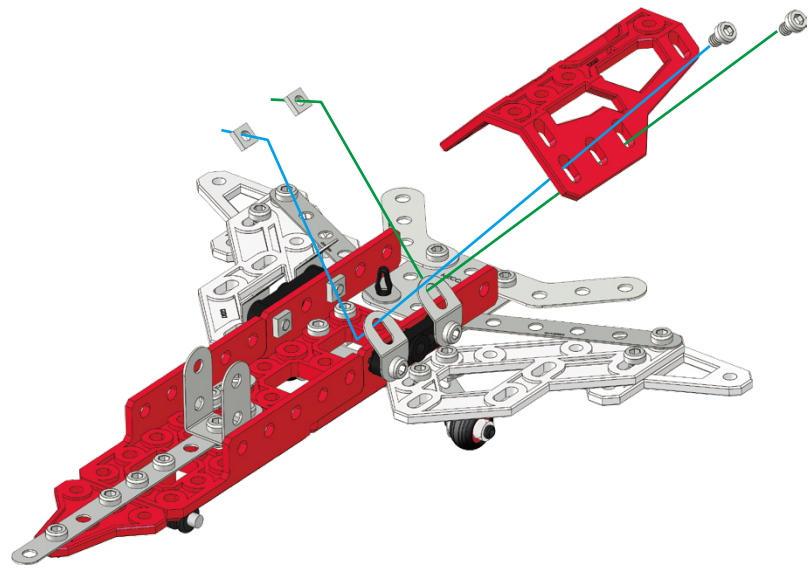
S1 | 5,8 mm | **x2**
15/64"




x2



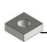
S1 | **1:1**



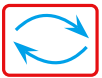
21



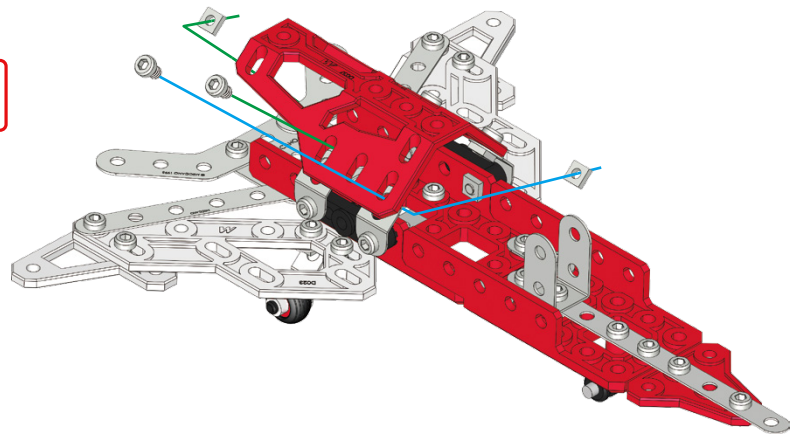
S1 | 5,8 mm | **x2**
15/64"



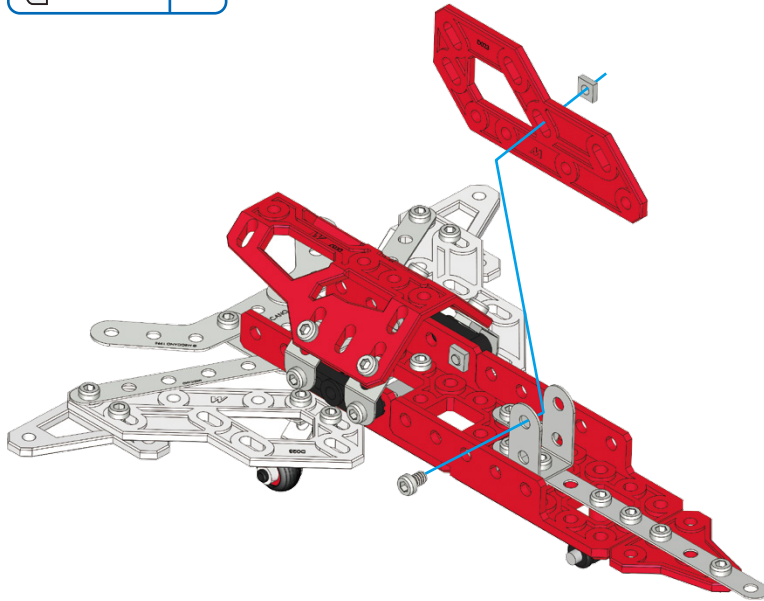
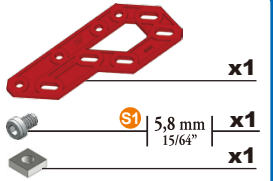
x2



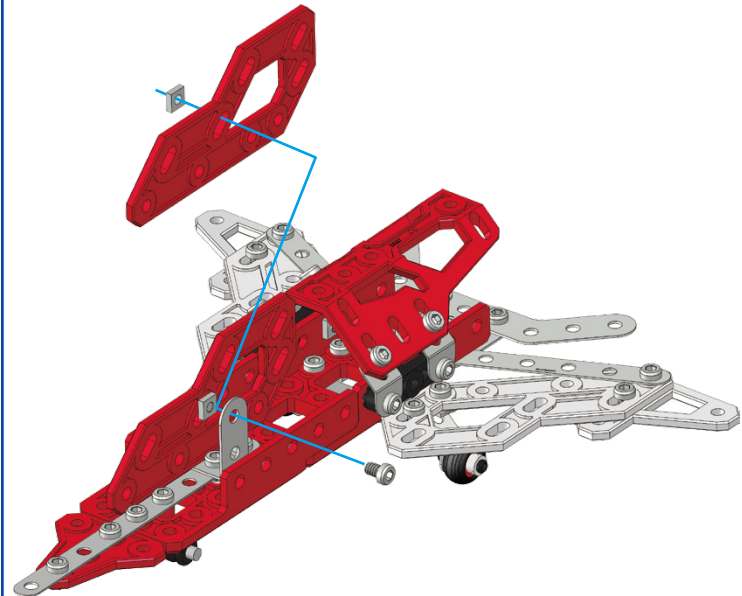
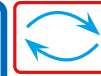
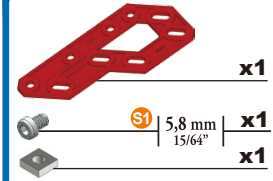

S1 | **1:1**






22



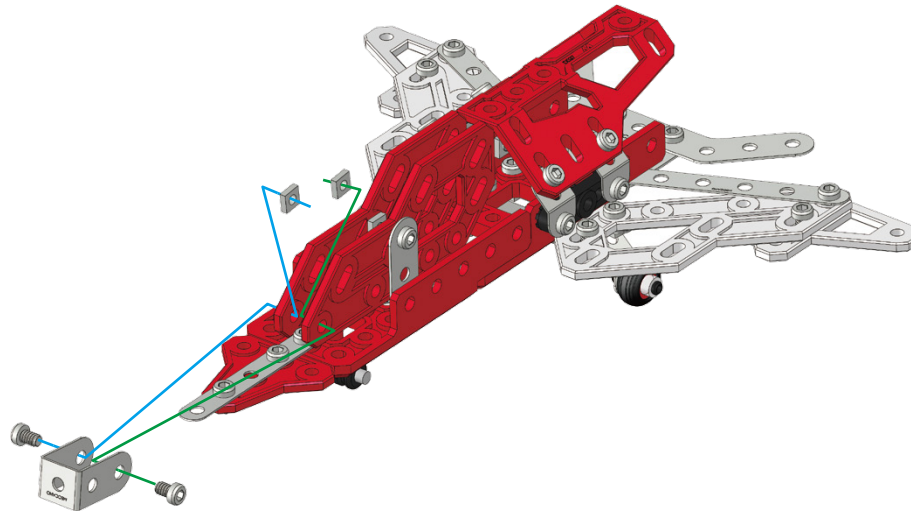
23



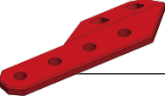



24

-  **x1**
-  **S1** | 5,8 mm | **x2**
1 5/64"
-  **x2**

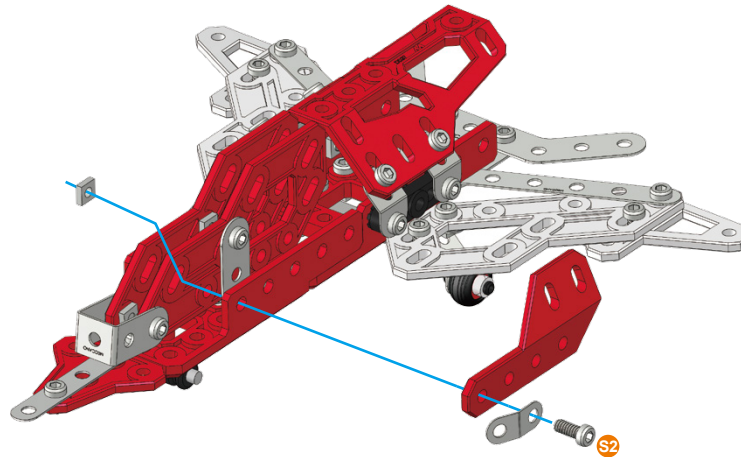
-  **S1** | **1:1**






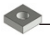
25

-  **x1**
-  **x1**
-  **S2** | 9,5 mm | **x1**
3/8"
-  **x1**

-  **S2** | **1:1**

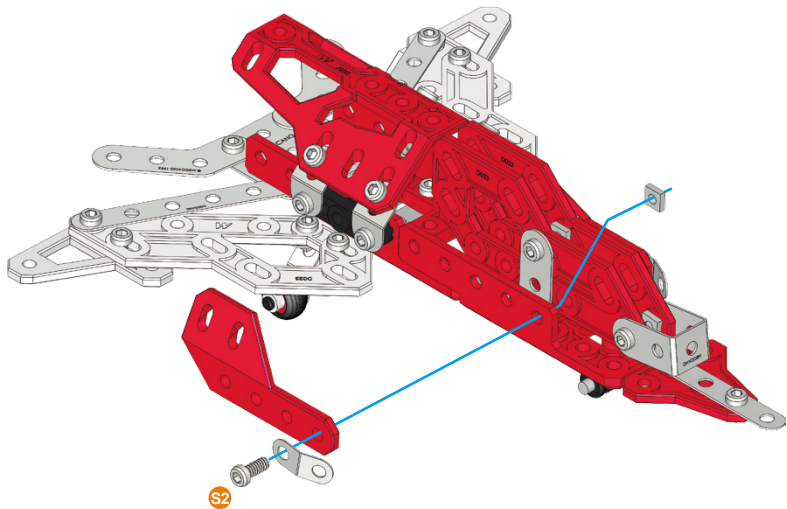


26



-  x1
-  x1
-  9,5 mm | x1
3/8"
-  x1

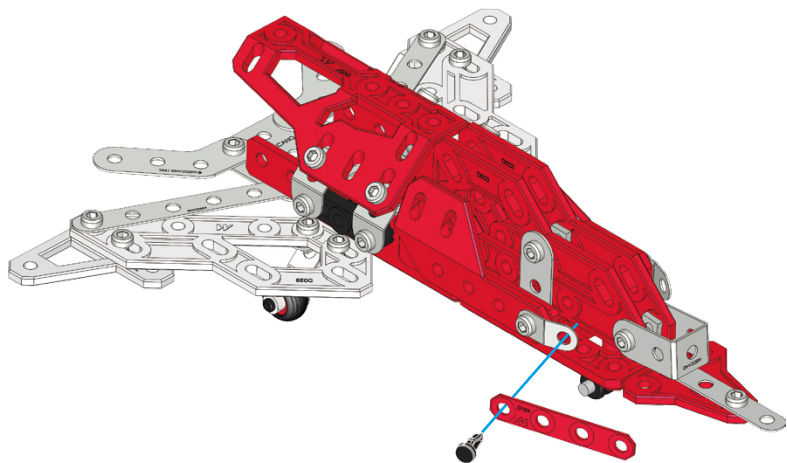


-  S2 1:1





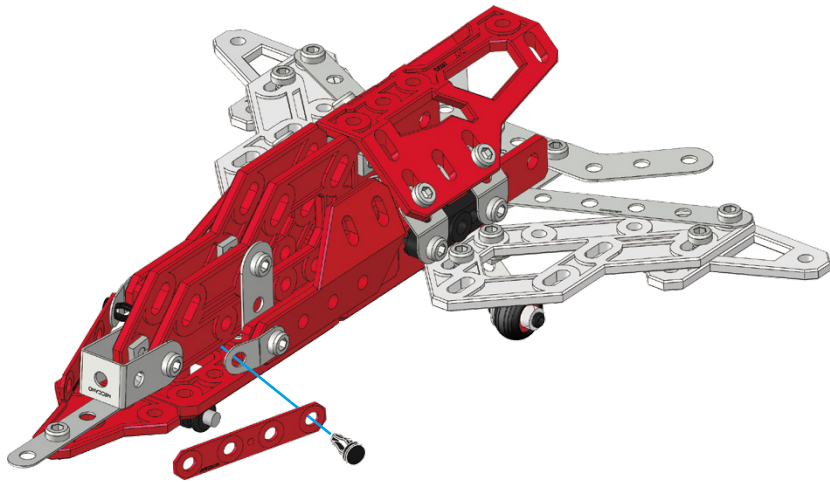
27

-  x1
-  x1







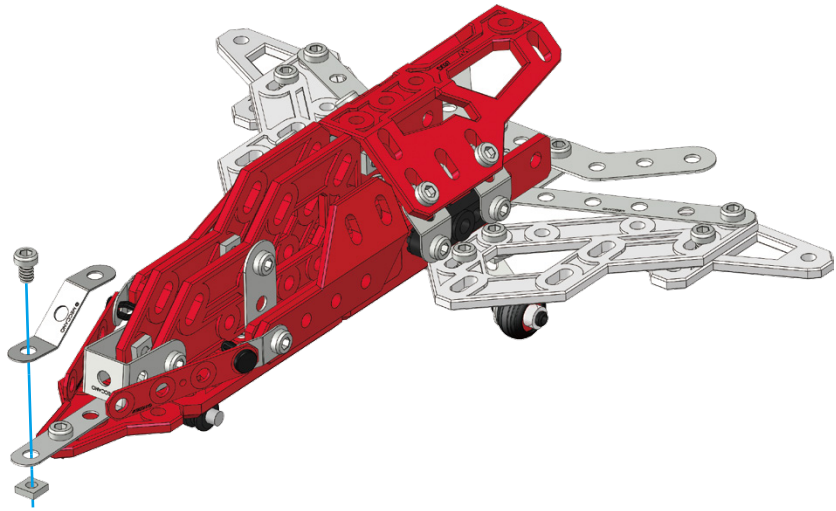
28

	x1
	x1







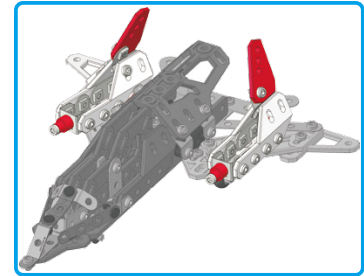
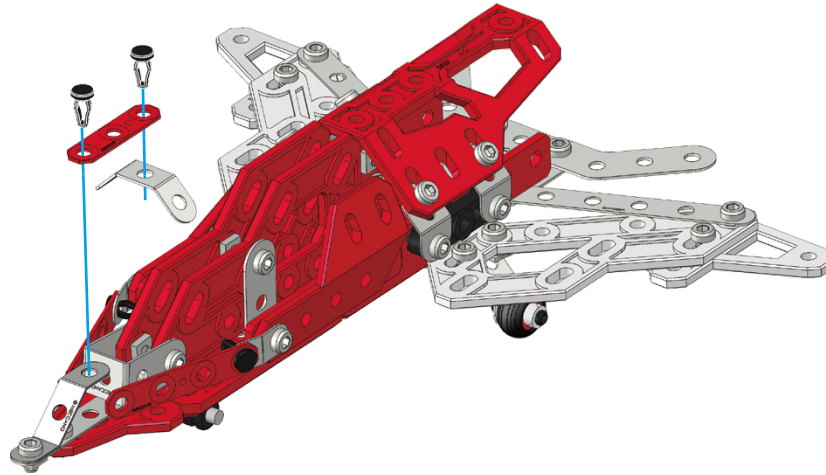
29

	x1
	 5,8 mm x1 15/64"
	x1











30

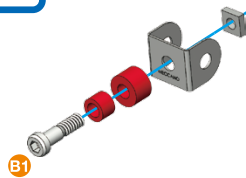
-  **x1**
-  **x1**
-  **x1**
-  **x2**








31

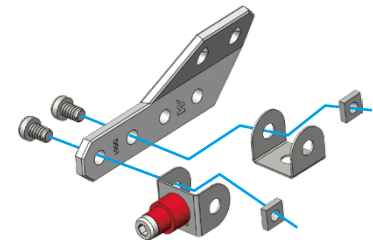
-  **x1**
-  **x1**
-  **x1**
-  **x1**
-  **x1**





-  **B1**
-  **A338**
-  **A238**
- 1:1**





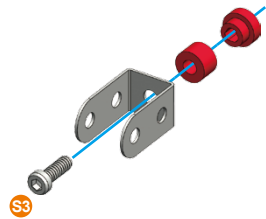
32



-  **x1**
-  **x1**
-  **x1**
-  **x2**
-  **x2**



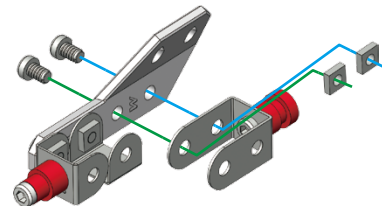
- 33**
-  **x1**
 -  **x1**
 -  **x1**
 -  | 12 mm | **x1**
1/2"




-  **S1** | **1:1**
-   **A238**



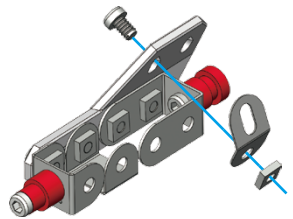
- 34** **32 + 33 +**
-  | 5,8 mm | **x2**
15/64"
 -  **x2**




-  **S1** | **1:1**



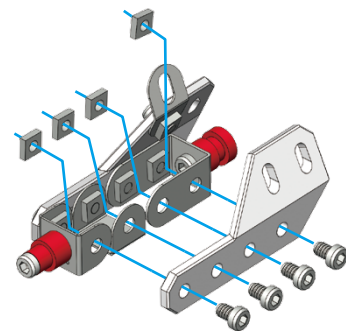
- 35**
-  **x1**
 -  | 5,8 mm | **x1**
15/64"
 -  **x1**

-  **S1** | **1:1**



- 36**
-  **x1**
 -  | 5,8 mm | **x4**
15/64"
 -  **x4**

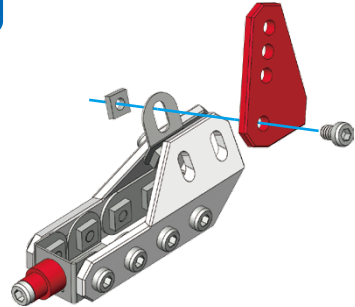
-  **S1** | **1:1**



37

	x1
	x1
	x1

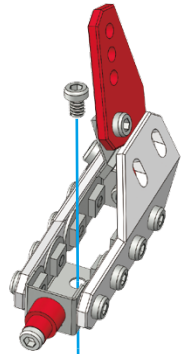
	S1	1:1
--	-----------	------------



38 **30 + 37 +**

	S1	5,8 mm <small>15/64"</small>	x1
			x1

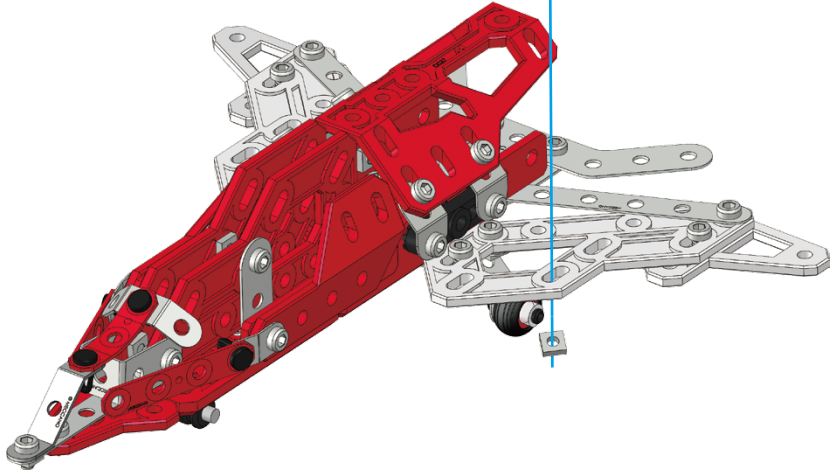
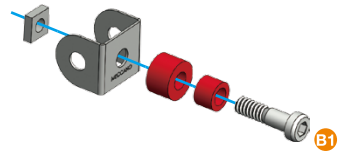
	S1	1:1
--	-----------	------------



39

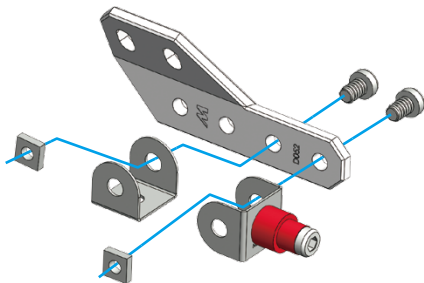
	x1		
	S1	14,7 mm <small>37/64"</small>	x1
	x1		
	x1		
	x1		

	S1		
	A338	1:1	
	A238		



40

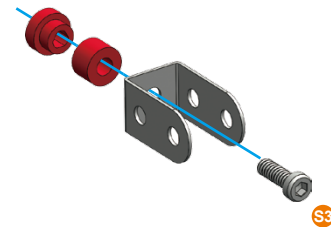
	x1
	x1
	x2
	x2



41

	x1
	x1
	x1
	x1

	1:1
	A238

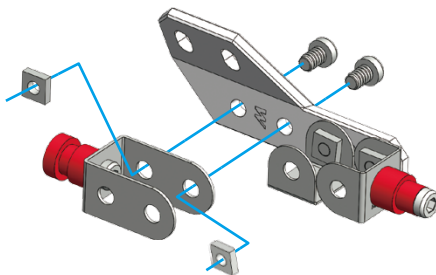


42

(40) + (41) +

	x2
	x2

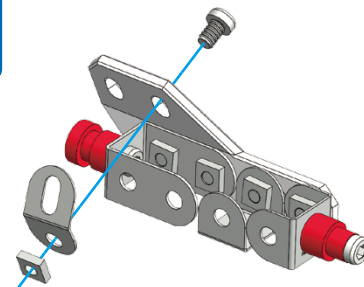
	1:1
--	------------






43

	x1
	x1
	x1

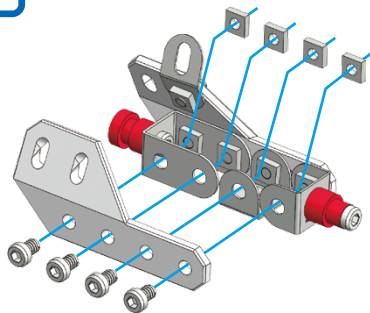
	1:1
--	------------



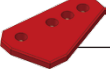


44

-  **x1**
-  **S1** | 5,8 mm | **x4**
15/64"
-  **x4**

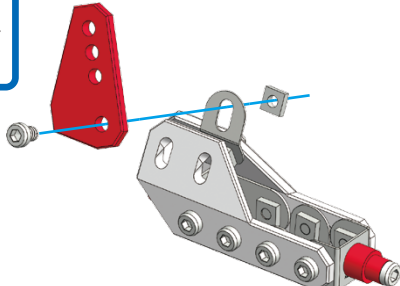
-  **S1** | **1:1**



45



-  **x1**
-  **S1** | 5,8 mm | **x1**
15/64"
-  **x1**

-  **S1** | **1:1**



46

38 + 45 +

-  **S1** | 5,8 mm | **x1**
15/64"
-  **x1**



-  **S1** | **1:1**

