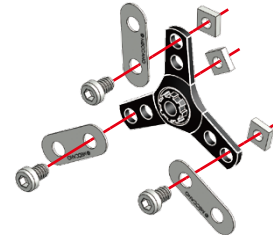
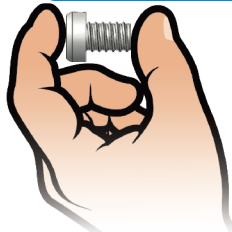


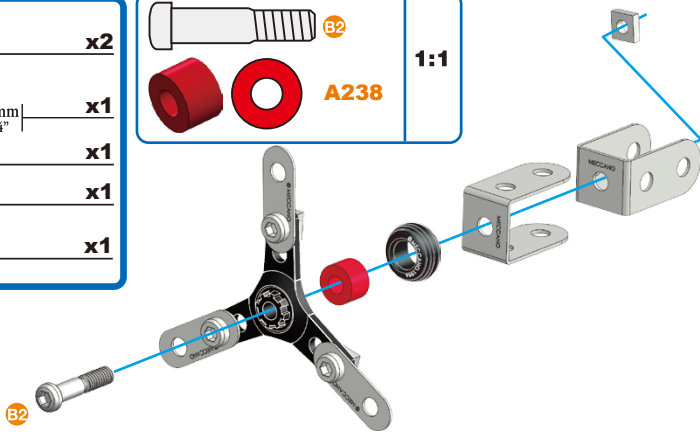
1			
			x1
			x3
	S1	5,8 mm 15/64"	x3
			x3

	S1	1:1
--	-----------	------------



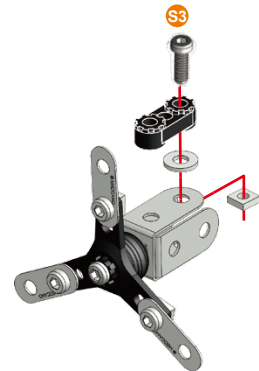
2			
			x2
	B2	19 mm 3/4"	x1
			x1
			x1
			x1

	B2		1:1
		A238	



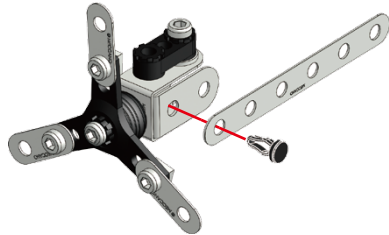
3			
			x1
	S3	12 mm 1/2"	x1
			x1
			x1

	S3	1:1
--	-----------	------------



4

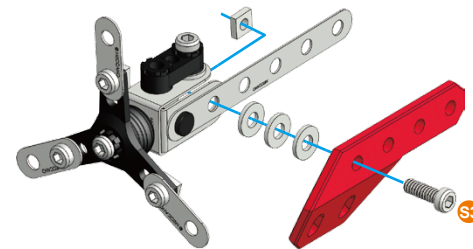
	x1
	x1



5

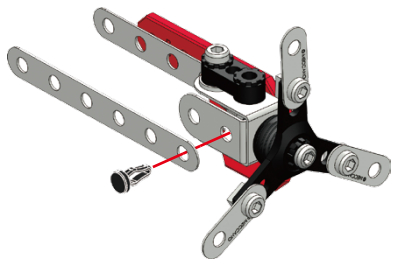
	x1
	x1
	x3
	x1

	1:1
--	------------



6

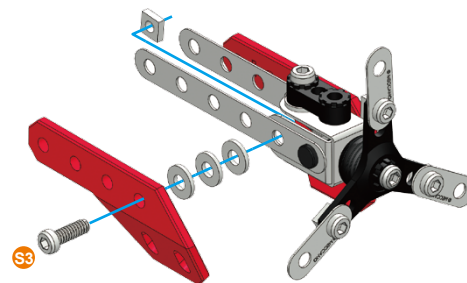
	x1
	x1








7

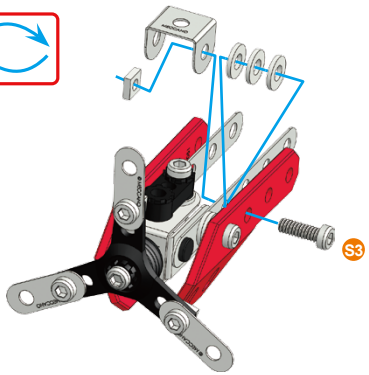
	x1
	x1
	x3
	x1

	1:1
--	------------







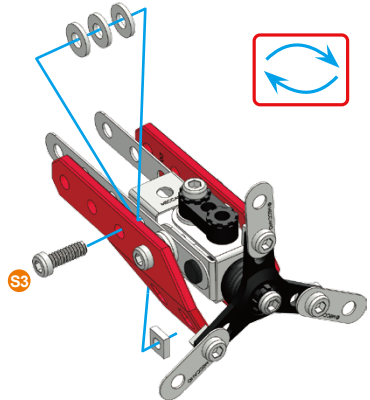
8

	x1
 12 mm 1/2"	x1
	x3
	x1
	1:1




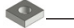



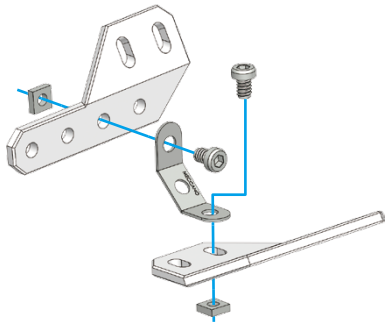
9

 12 mm 1/2"	x1
	x3
	x1
	1:1






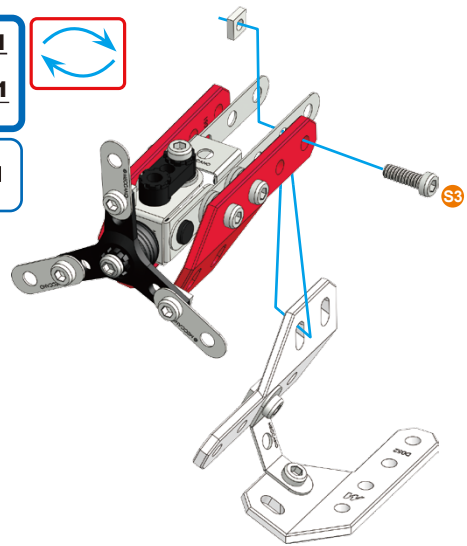
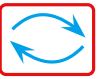
10

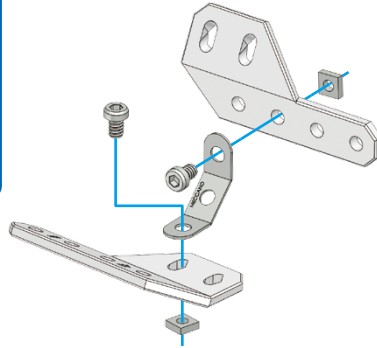
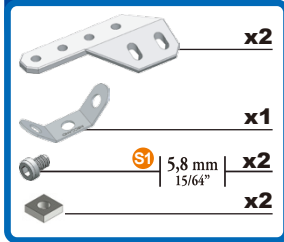
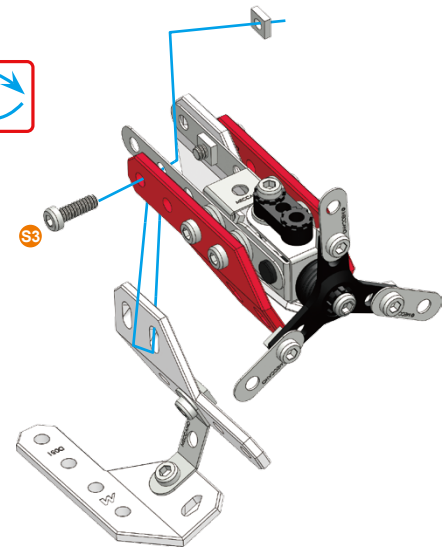
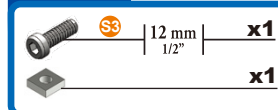
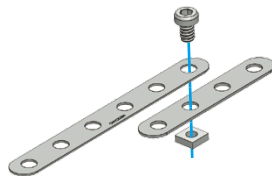
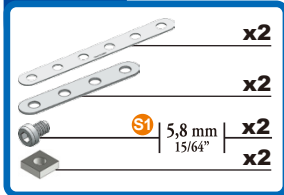
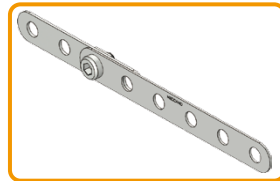
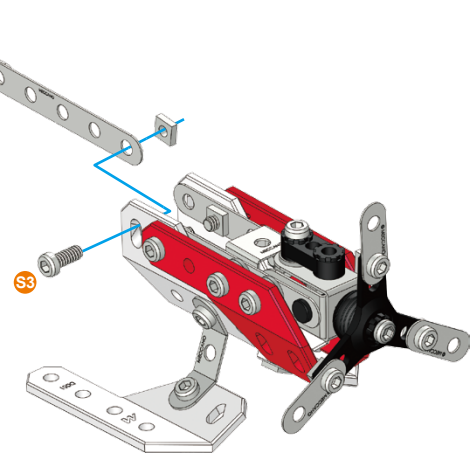
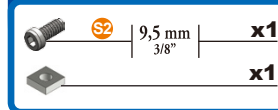
	x2
	x1
 5,8 mm 15/64"	x2
	x2
	1:1





11 9 + 10 +

 12 mm 1/2"	x1
	x1
	1:1



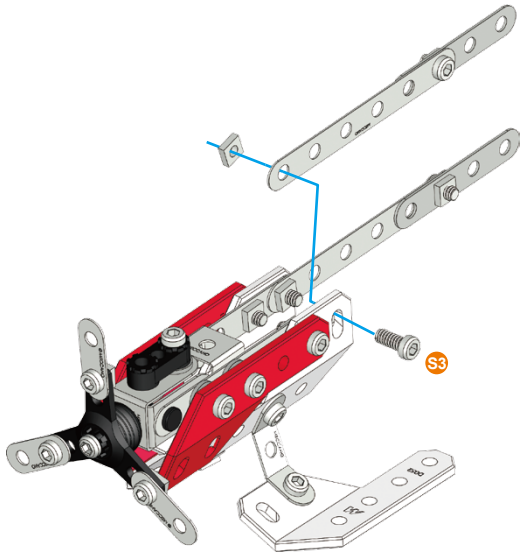
12**13****11 + 12 +****14****x2****15****13 + 14 +**




16**(14) + (15) +**

	S2 9,5 mm 3/8"	x1
		x1

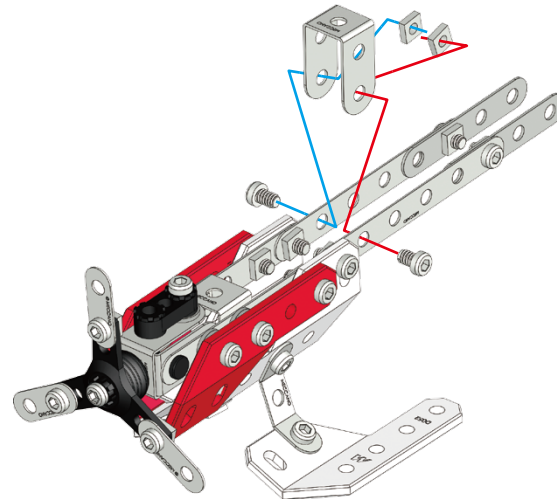


	S2 1:1
---	------------------------

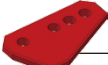



**17**



		x1
	S1 5,8 mm 15/64"	x2
		x2

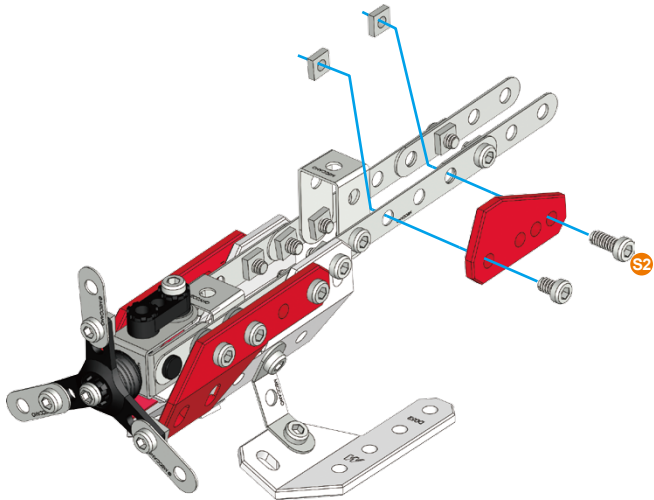
	S1 1:1
--	------------------------



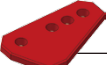


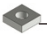
18

		x1
	9,5 mm 3/8"	x1
	5,8 mm 15/64"	x1
		x2

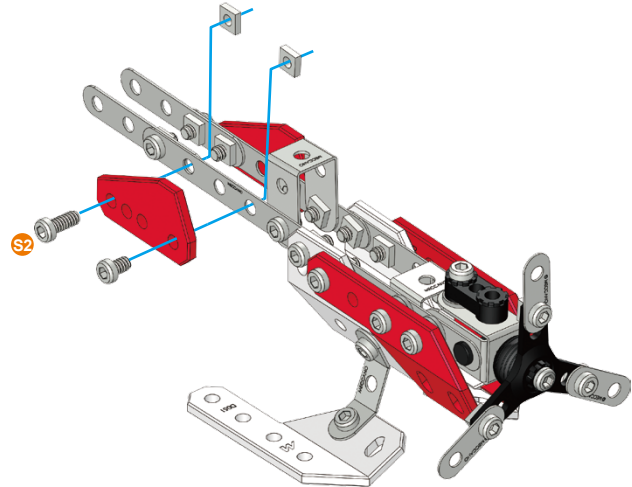
	S2	1:1
	S1	






19

		x1
	9,5 mm 3/8"	x1
	5,8 mm 15/64"	x1
		x2

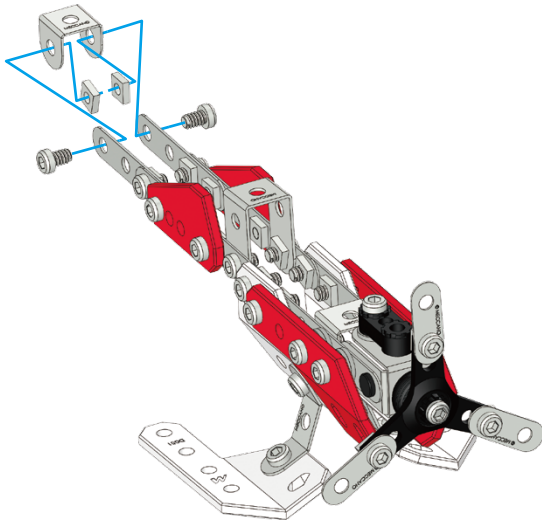
	S2	1:1
	S1	






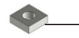
20

	x1
 5,8 mm 15/64"	x2
	x2

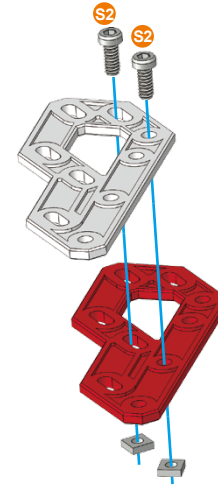
	1:1
---	-----






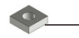
21

	x1
	x1
 9,5 mm 3/8"	x2
	x2

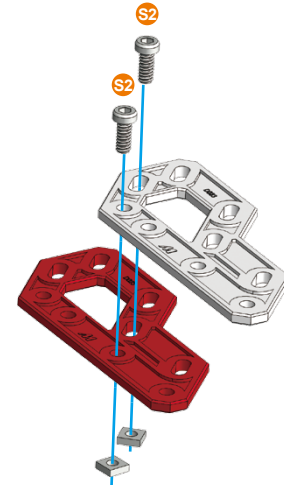
	1:1
--	-----

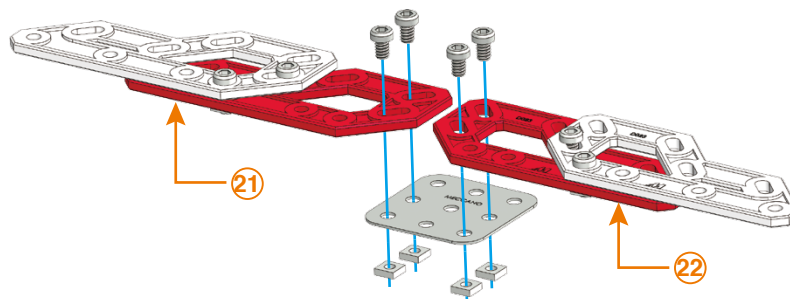
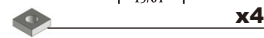
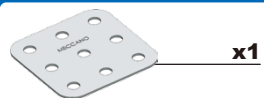
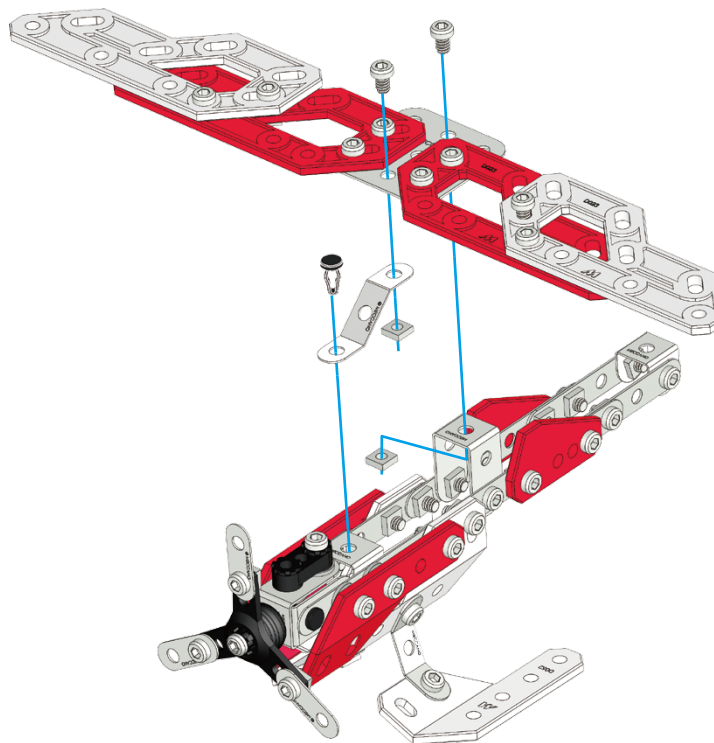
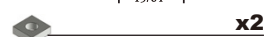


22








	x1
	x1
 9,5 mm 3/8"	x2
	x2

	1:1
--	-----

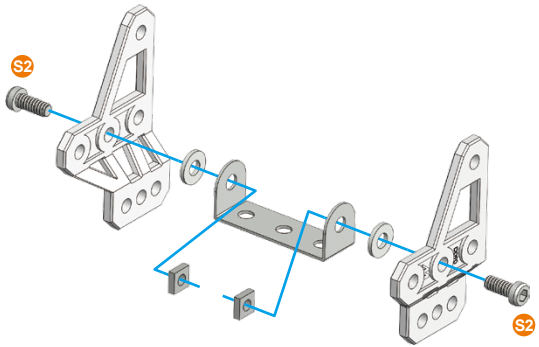


23**(21) + (22) +****24****(20) + (23) +**

25




-  x1
-  x1
-  x1
-   | 9,5 mm | x2
3/8"
-  x2
-  x2

-   | 1:1



26

24+ 25+

-   | 5,8 mm | x1
15/64"
-  x1

-   | 1:1

