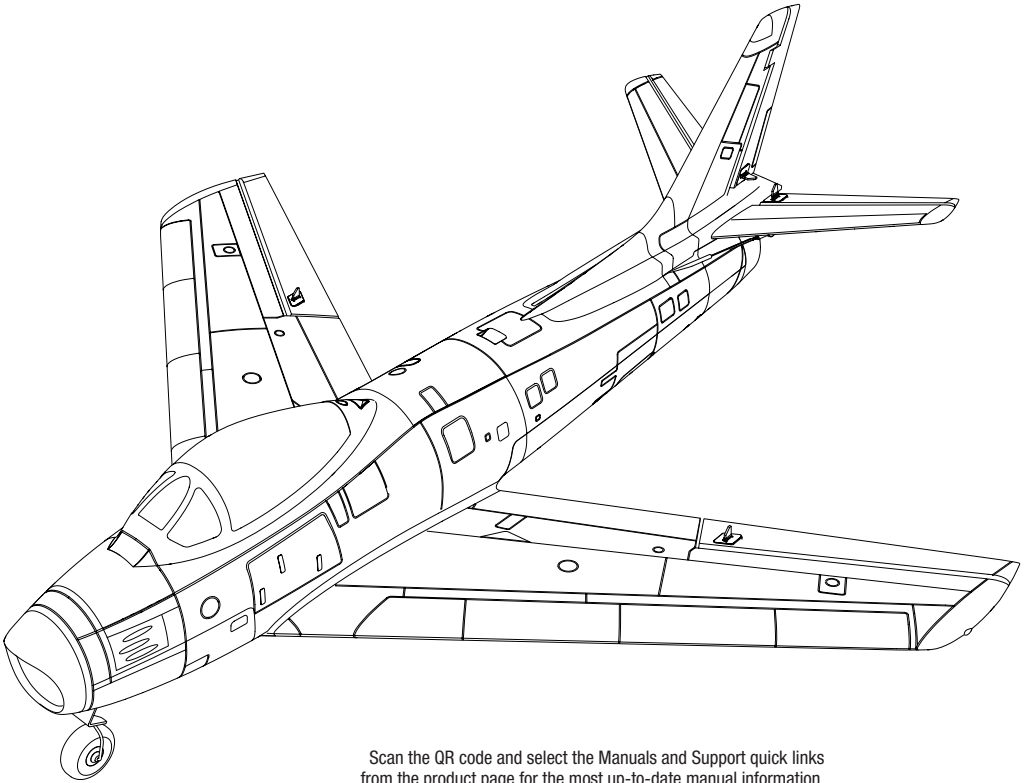


# UMX F-86 Sabre 30mm EDF



**Instruction Manual**  
**Bedienungsanleitung**  
**Manuel d'utilisation**  
**Manuale di Istruzioni**

Scan the QR code and select the Manuals and Support quick links from the product page for the most up-to-date manual information.

Scannen Sie den QR-Code und wählen Sie auf der Produktseite die Quicklinks Handbücher und Unterstützung, um die aktuellsten Informationen zu Handbüchern.

Scannez le code QR et sélectionnez les liens rapides Manuals and Support sur la page du produit pour obtenir les informations les plus récentes sur le manuel.

Scannerizzare il codice QR e selezionare i Link veloci Manuali e Supporto dalla pagina del prodotto per le informazioni manuali più aggiornate.



**EFLU7050**

## NOTICE

All instructions, warranties and other collateral documents are subject to change at the sole discretion of Horizon Hobby, LLC. For up-to-date product literature, visit [horizonhobby.com](http://horizonhobby.com) or [towerhobbies.com](http://towerhobbies.com) and click on the support or resources tab for this product.

## MEANING OF SPECIAL LANGUAGE

The following terms are used throughout the product literature to indicate various levels of potential harm when operating this product:

**WARNING:** Procedures, which if not properly followed, create the probability of property damage, collateral damage, and serious injury OR create a high probability of superficial injury.

**CAUTION:** Procedures, which if not properly followed, create the probability of physical property damage AND a possibility of serious injury.

**NOTICE:** Procedures, which if not properly followed, create a possibility of physical property damage AND little or no possibility of injury.



**WARNING:** Read the ENTIRE instruction manual to become familiar with the features of the product before operating. Failure to operate the product correctly can result in damage to the product, personal property and cause serious injury.

This is a sophisticated hobby product. It must be operated with caution and common sense and requires some basic mechanical ability. Failure to operate this Product in a safe and responsible manner could result in injury or damage to the product or other property. This product is not intended for use by children without direct adult supervision. Do not use with incompatible components or alter this product in any way outside of the instructions provided by Horizon Hobby, LLC. This manual contains instructions for safety, operation and maintenance. It is essential to read and follow all the instructions and warnings in the manual, prior to assembly, setup or use, in order to operate correctly and avoid damage or serious injury.

**Age Recommendation: Not for children under 14 years. This is not a toy.**

## Safety Precautions and Warnings

As the user of this product, you are solely responsible for operating in a manner that does not endanger yourself and others or result in damage to the product or the property of others.

- Always keep a safe distance in all directions around your model to avoid collisions or injury. This model is controlled by a radio signal subject to interference from many sources outside your control. Interference can cause momentary loss of control.
- Always operate your model in open spaces away from full-size vehicles, traffic and people.
- Always carefully follow the directions and warnings for this and any optional support equipment (chargers, rechargeable battery packs, etc.).
- Always keep all chemicals, small parts and anything electrical out of the reach of children.
- Always avoid water exposure to all equipment not specifically designed and protected for this purpose. Moisture causes damage to electronics.
- Never place any portion of the model in your mouth as it could cause serious injury or even death.
- Never operate your model with low transmitter batteries.
- Always keep aircraft in sight and under control.
- Always use fully charged batteries.
- Always keep transmitter powered on while aircraft is powered.
- Always remove batteries before disassembly.
- Always keep moving parts clean.
- Always keep parts dry.
- Always let parts cool after use before touching.
- Always remove batteries after use.
- Always ensure failsafe is properly set before flying.
- Never operate aircraft with damaged wiring.
- Never touch moving parts.



**WARNING AGAINST COUNTERFEIT PRODUCTS:** If you ever need to replace your Spektrum receiver found in a Horizon Hobby product, always purchase from Horizon Hobby, LLC or a Horizon Hobby authorized dealer to ensure authentic high-quality Spektrum product. Horizon Hobby, LLC disclaims all support and warranty with regards, but not limited to, compatibility and performance of counterfeit products or products claiming compatibility with DSM or Spektrum technology.

## Registration

Register your product today to join our mailing list and keep up to date with product updates, offers and E-flite® news.



Specifications	
<b>Wingspan</b>	17.44" (443mm)
<b>Length</b>	18.3" (466mm)
<b>Weight</b>	Without Battery: 5.9 oz (167g) With Recommended 4S 450mAh Battery: 7.7 oz (218g)

Included Equipment	
<b>Receiver/ESC</b>	Spektrum® Receiver/ESC Unit (SPMA3191)
<b>Motor</b>	Brushless Motor: 1010–8300Kv (SPMXAM3200)
<b>Servos</b>	Spektrum® A201 2.3g Long-Throw Linear Servo (SPMSA201)

Recommended Equipment	
<b>Transmitter</b>	Full Range 5+ Channel 2.4GHz w/ Spektrum® DSM2/DSMX® Technology
<b>Battery</b>	Spektrum® 450mAh 4S 14.8V 30C LiPo Battery: IC2 (SPMX4504SIC2)
<b>Battery Charger</b>	S100 G2 USB-C Smart Charger (SPMXC2090)

## Table of Contents

Low Voltage Cutoff (LVC) .....	4	Landing Gear .....	11
Transmitter Setup .....	4–5	AS3X® System Trouble Shooting Guide.....	12
Transmitter and Receiver Binding.....	6	Troubleshooting Guide .....	12–13
Smart Technology Telemetry .....	6	Replacement Parts.....	14
SAFE® Select Technology .....	6–7	Recommended Parts.....	14
ESC/Receiver Arming and Battery Installation.....	8	Optional Parts and Accessories .....	14
Center of Gravity (CG) .....	8	Important Federal Aviation Administration (FAA) Information .....	15
Control Direction Test.....	9	AMA National Model Aircraft Safety Code.....	15
Control Centering .....	9	Limited Warranty .....	15–16
Control Horn Settings.....	9	Contact Information .....	16
Flying Tips and Repairs.....	10	FCC Information.....	17
Hand Launching.....	10	IC Information.....	17
Post Flight Checklist .....	10	Compliance Information for the European Union.....	17
Power Components Service .....	11		

## General Binding Tips and Failsafe *BNF*

- The included receiver has been specifically programmed for operation of this aircraft. Refer to the receiver manual for correct setup if the receiver is replaced.
- Keep away from large metal objects while binding.
- Do not point the transmitter's antenna directly at the receiver while binding.
- The orange LED on the receiver will flash rapidly when the receiver enters bind mode.
- Once bound, the receiver will retain its bind settings for that transmitter until you re-bind.
- If the receiver loses transmitter communication, the failsafe will activate. Failsafe moves the throttle channel to low throttle. Pitch and roll channels move to actively stabilize the aircraft in a descending turn.
- If problems occur, refer to the troubleshooting guide or if needed, contact the appropriate Horizon Product Support office.

## Low Voltage Cutoff (LVC)

When a Li-Po battery is discharged below 3V per cell, it will not hold a charge. The aircraft's ESC protects the flight battery from over-discharge using Low Voltage Cutoff (LVC). Once the battery discharges to 3V per cell, the LVC will reduce the power to the motor in order to leave adequate power to the receiver and servos to land the airplane.

When the motor power decreases, land the aircraft immediately and replace or recharge the flight battery.

Always disconnect and remove the Li-Po battery from the aircraft after each flight. Charge your Li-Po battery to

about half capacity before storage. Make sure the battery charge does not fall below 3V per cell. Failure to unplug a connected battery will result in trickle discharge.

For your first flights, set your transmitter timer or a stopwatch to 4 minutes. Adjust your timer for longer or shorter flights once you have flown the model.

**NOTICE:** Repeated flying to LVC will damage the battery.

## Transmitter Setup

If your transmitter allows it, enable the throttle cut feature. Always engage throttle cut before approaching the aircraft.

### Dual Rates

**Low rate is recommended for the initial flights.**

**NOTICE:** To ensure AS3X® technology functions properly, do not lower rate values below 50%.

**NOTICE:** If oscillation occurs at high speed, refer to the Troubleshooting Guide for more information.

### Exponential

After your initial flights, you may adjust the exponential value to better suit your flying style.

#### Telemetry Alarms

Smart ESC : 12 Pole	
Rx V : Min Rx V	4.2V
Smart ESC : Low Voltage Alarm	3.4V
Smart Battery : Startup Volt Minimum	4.0V

### NX Series Transmitter Setup

1. Power ON your transmitter, click on scroll wheel, roll to **System Setup** and click the scroll wheel. Select **YES**.
2. Go to **Model Select** and choose **Add New Model** near the bottom of the list. Select **Airplane Model Type** by choosing airplane image, select **Create**.
3. Set **Model Name**: Input a name for your model file.
4. Go to **Aircraft Type** and scroll to the wing selection, choose **Wing: 1 Normal Tail: Normal**
5. Select **Main Screen**, Click the scroll wheel to enter the **Function List**.
6. Go to **D/R (Dual Rate) and Expo** menu to set **D/R** and **Expo**.
7. Set **Rates and Expo: Aileron**  
Set **Switch: Switch F**  
Set **High Rates: 100%, Expo 10%** — **Low Rates: 70%, Expo 5%**
8. Set **Rates and Expo: Elevator**  
Set **Switch: Switch C**  
**High Rates: 100%, Expo 10%** — **Low Rates 70%, Expo 5%**
9. Set **D/R (Dual Rate) and Expo: Rudder**  
Set **Switch: Switch G**  
**High Rates: 100%, Expo 10%** — **Low Rates 70%, Expo 5%**
10. Set **Throttle Cut; Switch: Switch H, Position: -100%**



## Transmitter Setup

### DX Series Transmitter Setup

1. Power ON your transmitter, click on scroll wheel, roll to **System Setup** and click the scroll wheel. Select **YES**.
2. Go to **Model Select** and choose **Add New Model** at the bottom of the list.  
The system asks if you want to create a new model, select **Create**.
3. Set **Model Type**: Select **Airplane Model Type** by choosing the airplane.  
The system asks you to confirm model type, data will be reset. Select **YES**.
4. Set **Model Name**: Input a name for your model file.
5. Go to **Aircraft Type** and scroll to the wing selection, choose **Wing: 1 Normal Tail: Normal**
6. Select **Main Screen**, Click the scroll wheel to enter the **Function List**.
7. Set **D/R (Dual Rate) and Expo: Aileron**  
Set **Switch: Switch F**  
Set **High Rates: 100%, Expo 10% — Low Rates: 70%, Expo 5%**
8. Set **D/R (Dual Rate) and Expo: Elevator**  
Set **Switch: Switch C**  
**High Rates: 100%, Expo 10% — Low Rates 70%, Expo 5%**
9. Set **D/R (Dual Rate) and Expo: Rudder**  
Set **Switch: Switch G**  
**High Rates: 100%, Expo 10% — Low Rates 70%, Expo 5%**
10. Set **Throttle Cut; Switch: Switch H, Position: -100%**

### iX Series Transmitter Setup

1. Power ON your transmitter and begin once the Spektrum AirWare app is open. Select the orange pen icon in the screen's upper left corner, the system asks for permission to **Turn Off RF**, select **PROCEED**.
2. Select the three dots in the upper right corner of the screen, select **Add a New Model**.
3. Select **Model Option**, choose **DEFAULT**, select **Airplane**.  
The system asks if you want to create a new acro model, select **Create**.
4. Select the last model on the list, named **Acro**. Tap on the word Acro and rename the file to a name of your choice.
5. Press and hold the back arrow icon in the upper left corner of the screen to return to the main screen.
6. Go to the **Model Setup** menu. Select **Aircraft Type**. The system asks for permission to **Turn Off RF**, select **PROCEED**. Touch the screen to select wing. Select **Normal**.
7. Press and hold the back arrow icon in the upper left corner of the screen to return to the main screen.
8. Go to the **Model Adjust** menu.
9. Set **Dual Rates and Expo**: Select **Aileron**  
Set **Switch: Switch F**  
Set **High Rates: 100%, Expo 10% — Low Rates: 70%, Expo 5%**
10. Set **Dual Rates and Expo**: Select **Elevator**  
Set **Switch: Switch C**  
**High Rates: 100%, Expo 10% — Low Rates 70%, Expo 5%**
11. Set **D/R (Dual Rate) and Expo: Rudder**  
Set **Switch: Switch G**  
**High Rates: 100%, Expo 10% — Low Rates 70%, Expo 5%**
12. Set **Throttle Cut; Switch: Switch H, Position: -100%**

## Transmitter and Receiver Binding

In the binding process, the receiver is programmed to recognize the GUID (Globally Unique Identification) code of a specific transmitter. You must “bind” your chosen aircraft transmitter using Spektrum DSM2/DSMX technology to the receiver for proper operation.

Any Spektrum DSM2/DSMX transmitter can be bound to a DSM2/DSMX receiver.

### Binding Procedure

1. Refer to your transmitter's manual for binding it to a receiver (location of transmitter's bind function).
2. Make sure the flight battery is disconnected from the aircraft.
3. Power off your transmitter.
4. Place the aircraft on a level surface away from wind.
5. Connect the flight battery in the aircraft. The receiver LED will begin to flash rapidly (typically after 5 seconds).
6. Make sure the transmitter controls are neutral and the throttle and throttle trim are in low position.
7. Put your transmitter into bind mode. Refer to your transmitter's manual for binding button or switch instructions.
8. After 5 to 10 seconds, the receiver status LED will turn solid, indicating that the receiver is bound to the transmitter. If the LED does not turn solid, refer to the Troubleshooting Guide at the back of the manual.

For subsequent flights, power on the transmitter for 5 seconds before connecting the flight battery.

## Smart Technology Telemetry

This aircraft includes Spektrum Smart Technology in the receiver, which can provide telemetry information like battery voltage. To take advantage of Smart Technology, you will need a compatible transmitter. A firmware update for your transmitter may be required.

### To View Smart Telemetry:

1. Begin with the transmitter bound to the receiver
2. Power on the transmitter.
3. Power on the aircraft.

4. The Smart logo appears under the battery logo on the home page. A signal bar appears in the top left corner of the screen.
5. Scroll past the servo monitor to view Smart technology screens.

For more information about compatible transmitters, firmware updates, and how to use the Smart Technology on your transmitter, visit [www.SpektrumRC.com](http://www.SpektrumRC.com).

## SAFE® Select Technology

The UMX F-86 Sabre has two flight modes controlled by Channel 5, SAFE and AS3X. Switch A is the Spektrum default for Channel 5. Position 0 is SAFE, Position 1 is AS3X only.

When flying in SAFE mode, the aircraft will return to level flight any time the aileron and elevator controls are at neutral. Applying aileron or elevator control will cause the airplane to bank, climb or dive. The amount the stick is moved will determine the attitude the airplane flies. Holding full control will push the aircraft to the pre-determined bank and pitch limits, but it will not go past those angles.

When flying in SAFE mode, it is normal to hold the control stick deflected with moderate aileron input when flying through a turn. To fly smoothly with SAFE, avoid making frequent control changes and don't attempt to correct for minor deviations. Holding deliberate control inputs will command the aircraft to fly at a specific angle, and the model will make all corrections to maintain that flight attitude.

Return the elevator and aileron controls to neutral before switching from SAFE mode to AS3X mode. If you do not neutralize controls when switching into AS3X mode, the control inputs used for SAFE mode will be excessive for AS3X mode and the aircraft will react immediately.

## Differences Between SAFE and AS3X Modes

This section is generally accurate but does not take into account flight speed, battery charge status, and other limiting factors.

		SAFE Select	AS3X
Control Input	Control stick is neutralized	Aircraft will self level	Aircraft will continue to fly at its present attitude
	Holding a small amount of control	Aircraft will bank or pitch to a moderate angle and maintain the attitude	Aircraft will continue to pitch or roll slowly
	Holding full control	Aircraft will bank or pitch to the predetermined limits and maintain the attitude	Aircraft will continue to roll or pitch rapidly

## Disabling and Enabling SAFE Select

By default, the SAFE Select function of your UMX aircraft is enabled and assigned to the Gear channel switch (channel 5). If you do not wish to have access to SAFE Select while flying, you can choose to disable SAFE Select functionality. AS3X will still be active when SAFE Select is disabled.

**IMPORTANT:** Before attempting to disable or enable SAFE Select, ensure the aileron, elevator, rudder, throttle and gear channels are all on high rate with the travel set to 100%. Turn throttle hold OFF if it is programmed in the transmitter.



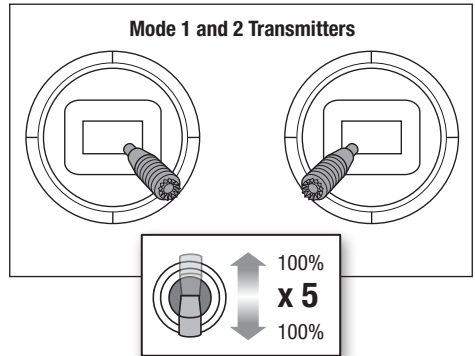
**CAUTION:** Keep all body parts clear of the propeller, and keep the aircraft securely restrained in case of accidental throttle activation.

1. Power on the transmitter.
2. Power on the aircraft.
3. Hold both transmitter sticks to the inside bottom corners and toggle the Gear switch 5 times (1 toggle = full up and down). The control surfaces of the aircraft will move, indicating SAFE Select has been enabled or disabled.

Repeat the process again to re-enable or disable SAFE Select.

## DXe, and DXS Transmitters

Switch A is the FMODE switch on these transmitters, and the switch needs to be toggled between position 0 and 2 when disabling/enabling SAFE Select.



## ESC/Receiver Arming and Battery Installation

**CAUTION:** Always keep hands away from the propeller. When armed, the motor will turn the propeller in response to any throttle movement.

Arming the ESC/receiver also occurs after binding as previously described, but subsequent connection of a flight battery requires the following steps.

### AS3X

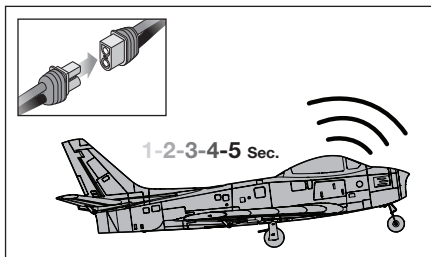
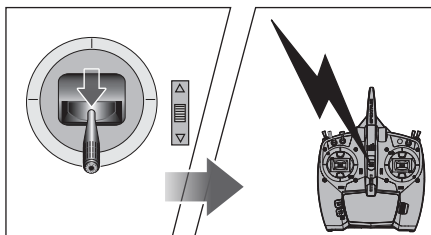
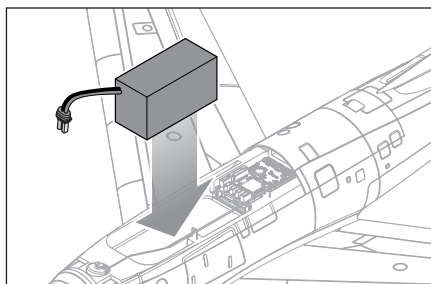
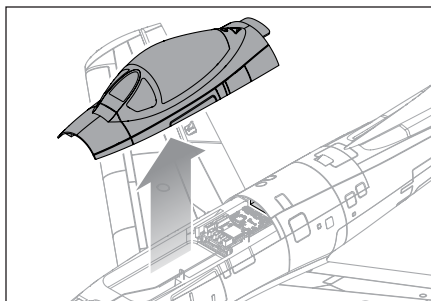
The AS3X® system will not **activate** until the throttle stick or trim is increased above 25% for the first time. Once active, the control surfaces may move rapidly and noisily on the aircraft. This is normal. AS3X technology will remain active until the battery is disconnected.

1. Open the battery hatch.
2. Attach the battery to the hook and loop strip so the battery is centered in the battery cavity.
3. Lower the throttle and power on your transmitter. Enable throttle cut switch.
4. Connect the battery to the ESC, noting proper polarity. Keep the plane immobile and away from wind for 5 seconds to allow the AS3X system to initialize. A series of tones and a continuous LED (LED may be difficult to see as it is located inside of aircraft.) indicates a successful connection.

A solid blue LED indicates that the aircraft is in SAFE flight mode and a solid RED LED indicates that the aircraft is in AS3X flight mode. When the aircraft is in SAFE the servos will move without increasing throttle above 25% throttle

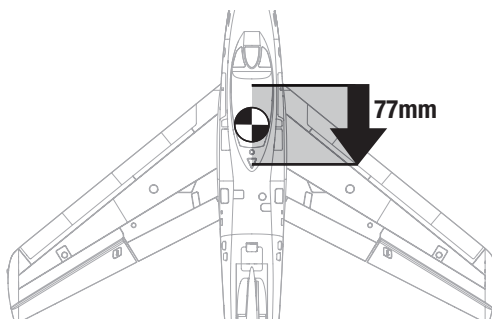
**CAUTION:** Always disconnect the Li-Po battery from the ESC when not flying to eliminate power supplied to the motor. The ESC does not have an arming switch and will respond to any transmitter input when a signal is present.

**CAUTION:** Always disconnect the Li-Po battery from the ESC when not flying to avoid over-discharging the battery. Batteries discharged to a voltage lower than the lowest approved voltage may become damaged, resulting in loss of performance and potential fire when batteries are charged.



## Center of Gravity (CG)

The CG location is 77mm from the leading edge of the wing, where it meets the fuselage. This CG location has been determined with the recommended battery. Adjust the battery forward or aft so the model balances level at the recommended point.



## Control Direction Test

Switch on the transmitter, enable throttle cut and connect the battery. Use the transmitter to operate the aileron, elevator and rudder controls. View the aircraft from the rear when checking the control directions.

### Elevators

1. Pull the elevator stick back. The elevator should move up, which will cause the aircraft to pitch up.
2. Push the elevator stick forward. The elevator should move down, which will cause the aircraft to pitch down.

### Ailerons

3. Move the aileron stick to the left. The left aileron should move up and the right aileron down, which will cause the aircraft to bank left.
4. Move the aileron stick to the right. The right aileron should move up and the left aileron down, which will cause the aircraft to bank right.

### Rudder

5. Move the rudder stick to the left. The rudder should move to the left, which will cause the aircraft to yaw left.
6. Move the rudder stick to the right. The rudder should move to the right, which will cause the aircraft to yaw right.

	Transmitter Command	Control Surface Response
Elevator		
Aileron		
Rudder		

## Control Centering

**Before the first flights, or in the event of an accident, make sure the flight control surfaces are centered.** Adjust the linkages mechanically if the control surfaces are not centered. Use of the transmitter sub-trims may not correctly center the aircraft control surfaces due to the mechanical limits of linear servos.

1. Make sure the control surfaces are neutral when the transmitter controls and trims are entered. The transmitter sub-trim must always be set to zero.
2. Remove the ball link connector from the control horn.
3. Adjust the plastic ball link by screwing it in or out, then reassemble it on the control horn.

### Centering Controls After First Flights

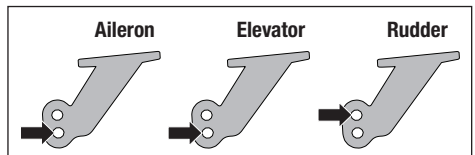


**For best performance with AS3X, it is important that excessive trim is not used.** If the aircraft requires excessive transmitter trim (4 or more clicks of trim per channel), return the transmitter trim to zero and adjust the linkages mechanically so that the control surfaces are in the flight trimmed position.

## Control Horn Settings

The illustration shows the factory settings for the control horns. Fly the aircraft at factory settings before making changes.

After flying, you may choose to adjust the linkage positions for the desired control response.



**CAUTION:** When these are incorrectly connected for the pilot's skill level, unexpected aircraft response to controls can result. This can cause damage to the aircraft and personal injury.

## Flying Tips and Repairs



**WARNING:** Always engage throttle cut before approaching the aircraft.

### Range Check the Radio System

Range check the radio system with the aircraft. Refer to your specific transmitter instruction manual for range test information.

### Flying

We recommend flying your aircraft outside in no greater than moderate winds or inside in a large gymnasium. Always avoid flying near houses, trees, wires and buildings. You should also be careful to avoid flying in areas where there are many people, such as busy parks, schoolyards or soccer fields. Consult local laws and ordinances before choosing a location to fly your aircraft.



### Takeoff

Place the aircraft in position for takeoff (facing into the wind if flying outdoors). Set dual rates to low position and gradually increase the throttle to  $\frac{3}{4}$  to full and steer with the rudder. Pull back gently on the elevator and climb to check trim. Once the trim is adjusted, begin exploring the flight envelope of the aircraft.

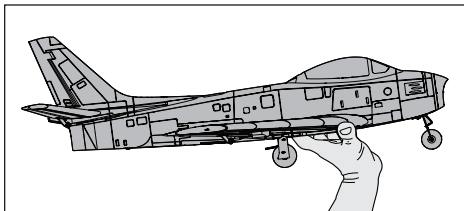
## Hand Launching

**NOTICE:** We recommend hand launching in SAFE Mode, into the wind at 100% power, in high rates.

When hand launching in SAFE mode, the control unit will sense the force of the launch and automatically enable the Hand Launch Assist feature. When this feature is active, the control unit will add up elevator so the aircraft climbs at a higher angle for a few seconds. It will return to standard SAFE mode shortly after launch.

### Grip

We recommend holding the aircraft on the bottom of the fuselage, just behind the wings, as shown.



### Follow Through

Use an overhand throw and launch with wings level and the nose of the model slightly upwards. Follow through with your hand launch by pointing your fingers at the airplane after the throw. Avoid an arcing throw which can pull the nose down at release.

## Post Flight Checklist

Disconnect the flight battery from the ESC (Required for safety and battery life).

Power OFF the transmitter.

Remove the flight battery from the aircraft.

Store the flight battery apart from the aircraft and monitor the battery charge.

### Landing

Always land into the wind. During the flare, keep the wings level and the aircraft pointed into the wind. Slowly lower the throttle while easing back on the elevator to bring the aircraft gently down on all three wheels.

**NOTICE:** Always fully lower the throttle at touch down when landing the aircraft to prevent damage to the propeller and motor.

Failure to lower the throttle stick and trim to the lowest possible positions during a crash could result in damage to the ESC in the receiver unit.

### Over-Current Protection (OCP)

The aircraft is equipped with over-current protection. OCP protects the ESC from overheating and stops the motor when the transmitter throttle is set too high and the propeller cannot turn. OCP will only activate when the throttle is positioned just above  $\frac{1}{2}$  throttle. After the ESC stops the motor, fully lower the throttle to re-arm the ESC.

### Repairs

Crash damage is not covered under warranty.

Repair this aircraft using foam-compatible CA glue or clear tape. Only use foam-compatible CA glue as other types of glue can damage the foam. When parts are not repairable, see the Replacement Parts List for ordering by item number.

## Power Components Service

### Disassembly



**CAUTION:** DO NOT handle the propeller while the flight battery is connected to the ESC. Personal injury could result.

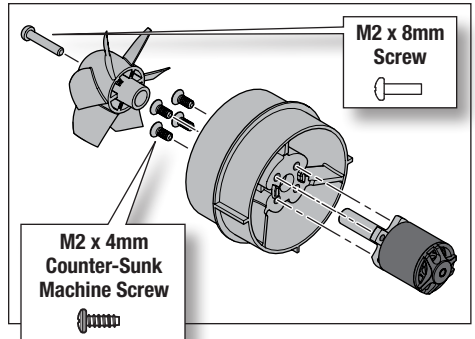
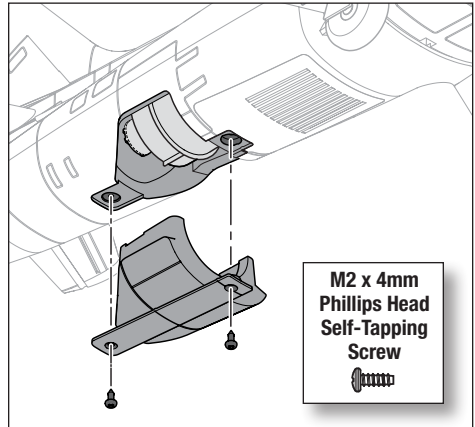
### Motor

1. Remove the two M2 x 4mm self-tapping screws using a Phillips #0 screwdriver from the fan and motor cover.
2. Disconnect the motor wire connector.
3. Remove the motor and fan.
4. Remove the M2 x 8mm screw from the fan using a Phillips #0 screwdriver.
5. Remove the four M2 x 4mm counter-sunk machine screws using a Phillips #0 screwdriver.

### Assembly

Assemble in reverse order.

- Ensure the propeller adapter and motor mount are fully connected to the motor.



## Landing Gear

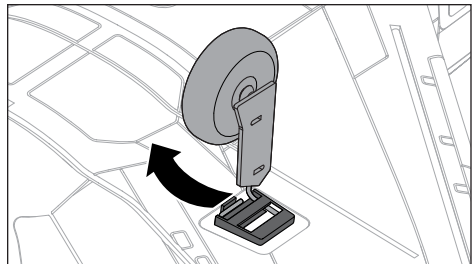
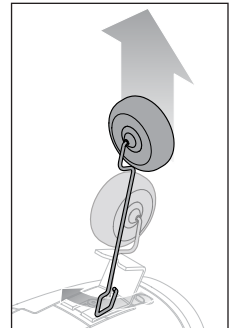
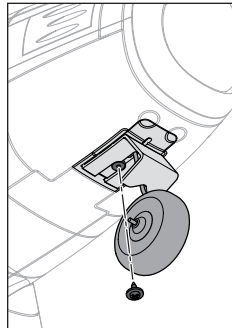
The aircraft landing gear comes installed from the factory. Follow these steps to remove the nose and main landing gear.

### Removing the Nose Landing Gear

1. Remove the M1.2 x 4mm self-tapping screw using a Phillips #0 screwdriver. The nose gear door will come off.
2. Pull the nose gear from the fuselage, then rotate the wheel 90 degrees to remove the wire from the slot.

### Removing the Main Landing Gear

3. Use a small flat head screwdriver to gently pry the wire over the retainer.
4. Pull the landing gear out of the retainer.



## AS3X® System Trouble Shooting Guide

Problem	Possible Cause	Solution
Control surfaces not at neutral position when transmitter controls are at neutral	Control surfaces may not have been mechanically centered from factory	Center control surfaces mechanically by adjusting the U-bends on control linkages
	Aircraft was moved after the flight battery was connected and before sensors initialized	Disconnect and reconnect the flight battery while keeping the aircraft still for 5 seconds
Model flies inconsistently from flight to flight	Aircraft was not kept immobile for 5 seconds after battery was plugged in	Keep the aircraft immobile for 5 seconds after plugging in the battery
	Trims are moved too far from neutral position	Neutralize trims and mechanically adjust linkages to center control surfaces
Controls oscillate in flight, (model rapidly jumps or moves)	Propeller is unbalanced, causing excessive vibration	Remove propeller and rebalance or replace it if damaged
	Propeller screw is loose, causing vibration	Tighten the propeller screw

## Troubleshooting Guide

Problem	Possible Cause	Solution
Aircraft will not respond to throttle but responds to other controls	Throttle stick and/or throttle trim too high	Reset controls with throttle stick and throttle trim at lowest setting
	Throttle channel is reversed	Reverse throttle channel on transmitter
	Motor disconnected from receiver	Open fuselage and make sure motor is connected to the receiver
Extra propeller noise or extra vibration	Damaged propeller, spinner or motor	Replace damaged parts
	Propeller screw is loose	Tighten the propeller screw
	Propeller is out of balance	Remove and balance propeller, or replace with a balanced propeller
Reduced flight time or aircraft underpowered	Flight battery charge is low	Completely recharge flight battery
	Propeller installed backwards	Install propeller with numbers facing forward
	Flight battery damaged	Replace flight battery and follow flight battery instructions
	Flight conditions may be too cold	Make sure battery is warm before use
	Battery capacity too low for flight conditions	Replace battery or use a larger capacity battery
LED on receiver flashes and aircraft will not bind to transmitter (during binding)	Transmitter too near aircraft during binding process	Power off transmitter, move transmitter a larger distance from aircraft, disconnect and reconnect flight battery to aircraft and follow binding instructions
	Bind switch or button not held long enough during bind process	Power off transmitter and repeat bind process. Hold transmitter bind button or switch until receiver is bound
	Aircraft or transmitter is too close to large metal object, wireless source or another transmitter	Move aircraft and transmitter to another location and attempt binding again



## Troubleshooting Guide

Problem	Possible Cause	Solution
LED on receiver flashes rapidly and aircraft will not respond to transmitter (after binding)	Less than a 5-second wait between first powering on transmitter and connecting flight battery to aircraft	Leaving transmitter on, disconnect and reconnect flight battery to aircraft
	Aircraft bound to different model memory (ModelMatch™ radios only)	Select correct model memory on transmitter and disconnect and reconnect flight battery to aircraft
	Flight battery/transmitter battery charge is too low	Replace/recharge batteries
	Transmitter may have been bound to a different model (or with a different DSM Protocol)	Select the right transmitter or bind to the new one
	Aircraft or transmitter is too close to large metal object, wireless source or another transmitter	Move aircraft and transmitter to another location and attempt linking again
Control surface does not move	Control surface, control horn, linkage or servo damage	Replace or repair damaged parts and adjust controls
	Wire damaged or connections loose	Do a check of wires and connections, connect or replace as needed
	Flight battery charge is low	Fully recharge flight battery
	Control linkage does not move freely	Make sure control linkage moves freely
Controls reversed	Transmitter settings reversed	Adjust controls on transmitter appropriately
Motor loses power	Damage to motor or power components	Do a check of motor and power components for damage (replace as needed)
Motor power quickly decreases and increases then motor loses power	Battery power is down to the point of receiver/ESC Low Voltage Cutoff (LVC)	Recharge flight battery or replace battery that is no longer performing
Motor/ESC is not armed after landing	Over Current Protection (OCP) stops the motor when the transmitter throttle is set high and the propeller cannot turn	Fully lower throttle and throttle trim to arm ESC
Servo locks or freezes at full travel	Travel adjust value is set above 100%, over-driving the servo	Set travel adjust to 100% or less and/or set sub-trims to Zero and adjust linkages mechanically

## Replacement Parts

Part #	Description
EFLU7051	Painted Fuselage: UMX F-86 Sabre
EFLU7052	Tail Set: UMX F-86 Sabre
EFLU7053	Control Horn Set: UMX F-86 Sabre
EFLU7054	Landing Gear Set: UMX F-86 Sabre
EFLU7055	Canopy/Battery Hatch: UMX F-86 Sabre
EFLU7056	Decal Sheet: UMX F-86 Sabre
EFLU7057	Pushrod Set: UMX F-86 Sabre
EFLU7058	Fan Set 30 x 20.5mm
EFLU7059	Fan Rotor 30 x 82mm
EFLU7060	Fan Cover: UMX F-86 Sabre
EFLU7061	Extension Set: UMX F-86 Sabre
SPMA3191	Receiver/ESC Unit: UMX F-86 Sabre
SPMSA201	A201 2.3g Long-Throw Linear Servo
SPMXAM3200	Brushless Motor: 1010-8300Kv

## Recommended Parts

Part #	Description
SPMR7100	NX7e 7 Channel Transmitter Only
SPMX4504SIC2	14.8V 450mAh 4S 30C LiPo Battery: IC2
SPMXC209	Smart S100 G2 USB-C Charger
SPMXCA320	Adapter: IC3 Battery / IC2 Device

## Optional Parts and Accessories

Part #	Description
SPMR8200	NX8 8-Channel DSMX Transmitter Only
SPMR10100	NX10 10-Channel DSMX Transmitter Only
SPMXC2060	S250 AC 2x50W Smart Charger
SPMXC2080	S1100 G2 1x100W AC Smart Charger

## Important Federal Aviation Administration (FAA) Information

Use the QR code below to learn more about the **Recreational UAS Safety Test (TRUST)**, as was introduced by the 2018 FAA Reauthorization Bill. This free test is required by the FAA for all recreational flyers in the United States. The completed certificate must be presented upon request by any FAA or law enforcement official.



If your model aircraft weighs more than .55lbs or 250 grams, you are required by the FAA to register as a recreational flyer and apply your registration number to the outside of your aircraft. To learn more about registering with the FAA, use the QR code below.



## AMA National Model Aircraft Safety Code

### Effective January 1, 2018

A model aircraft is a non-human-carrying device capable of sustained flight within visual line of sight of the pilot or spotter(s). It may not exceed limitations of this code and is intended exclusively for sport, recreation, education and/or competition. All model flights must be conducted in accordance with this safety code and related AMA guidelines, any additional rules specific to the flying site, as well as all applicable laws and regulations.

As an AMA member I agree:

- I will not fly a model aircraft in a careless or reckless manner.
- I will not interfere with and will yield the right of way to all human-carrying aircraft using AMA's See and Avoid Guidance and a spotter when appropriate.
- I will not operate any model aircraft while I am under the influence of alcohol or any drug that could adversely affect my ability to safely control the model.
- I will avoid flying directly over unprotected people, moving vehicles, and occupied structures.
- I will fly Free Flight (FF) and Control Line (CL) models in compliance with AMA's safety programming.
- I will maintain visual contact of an RC model aircraft without enhancement other than corrective lenses prescribed to me. When using an advanced flight system, such as an autopilot, or flying First-Person View (FPV), I will comply with AMA's Advanced Flight System programming.
- I will only fly models weighing more than 55 pounds, including fuel, if certified through AMA's Large Model Airplane Program.
- I will only fly a turbine-powered model aircraft in compliance with AMA's Gas Turbine Program.
- I will not fly a powered model outdoors closer than 25 feet to any individual, except for myself or my helper(s) located at the flightline, unless I am taking off and landing, or as otherwise provided in AMA's Competition Regulation.
- I will use an established safety line to separate all model aircraft operations from spectators and bystanders.

## Limited Warranty

**What this Warranty Covers**—Horizon Hobby, LLC, (Horizon) warrants to the original purchaser that the product purchased (the "Product") will be free from defects in materials and workmanship at the date of purchase.

**What is Not Covered**—This warranty is not transferable and does not cover (i) cosmetic damage, (ii) damage due to acts of God, accident, misuse, abuse, negligence, commercial use, or due to improper use, installation, operation or maintenance, (iii) modification of or to any part of the Product, (iv) attempted service by anyone other than a Horizon Hobby authorized service center, (v) Product not purchased from an authorized Horizon dealer, (vi) Product not compliant with applicable technical regulations, or (vii) use that violates any applicable laws, rules, or regulations.

OTHER THAN THE EXPRESS WARRANTY ABOVE, HORIZON MAKES NO OTHER WARRANTY OR REPRESENTATION, AND HEREBY DISCLAIMS ANY AND ALL IMPLIED WARRANTIES, INCLUDING, WITHOUT LIMITATION, THE IMPLIED WARRANTIES OF NON-INFRINGEMENT, MERCHANTABILITY AND FITNESS

FOR A PARTICULAR PURPOSE. THE PURCHASER ACKNOWLEDGES THAT THEY ALONE HAVE DETERMINED THAT THE PRODUCT WILL SUITABLY MEET THE REQUIREMENTS OF THE PURCHASER'S INTENDED USE.

**Purchaser's Remedy**—Horizon's sole obligation and purchaser's sole and exclusive remedy shall be that Horizon will, at its option, either (i) service, or (ii) replace, any Product determined by Horizon to be defective. Horizon reserves the right to inspect any and all Product(s) involved in a warranty claim. Service or replacement decisions are at the sole discretion of Horizon. Proof of purchase is required for all warranty claims. SERVICE OR REPLACEMENT AS PROVIDED UNDER THIS WARRANTY IS THE PURCHASER'S SOLE AND EXCLUSIVE REMEDY.

**Limitation of Liability**—HORIZON SHALL NOT BE LIABLE FOR SPECIAL, INDIRECT, INCIDENTAL OR CONSEQUENTIAL DAMAGES, LOSS OF PROFITS OR PRODUCTION OR COMMERCIAL LOSS IN ANY WAY, REGARDLESS OF WHETHER SUCH CLAIM IS BASED IN CONTRACT, WARRANTY, TORT,

NEGLIGENCE, STRICT LIABILITY OR ANY OTHER THEORY OF LIABILITY, EVEN IF HORIZON HAS BEEN ADVISED OF THE POSSIBILITY OF SUCH DAMAGES. Further, in no event shall the liability of Horizon exceed the individual price of the Product on which liability is asserted. As Horizon has no control over use, setup, final assembly, modification or misuse, no liability shall be assumed nor accepted for any resulting damage or injury. By the act of use, setup or assembly, the user accepts all resulting liability. If you as the purchaser or user are not prepared to accept the liability associated with the use of the Product, purchaser is advised to return the Product immediately in new and unused condition to the place of purchase.

**Law**—These terms are governed by Illinois law (without regard to conflict of law principals). This warranty gives you specific legal rights, and you may also have other rights which vary from state to state. Horizon reserves the right to change or modify this warranty at any time without notice.

## WARRANTY SERVICES

**Questions, Assistance, and Services**—Your local hobby store and/or place of purchase cannot provide warranty support or service. Once assembly, setup or use of the Product has been started, you must contact your local distributor or Horizon directly. This will enable Horizon to better answer your questions and service you in the event that you may need any assistance. For questions or assistance, please visit our website at [www.horizonhobby.com](http://www.horizonhobby.com), submit a Product Support Inquiry, or call the toll free telephone number referenced in the Warranty and Service Contact Information section to speak with a Product Support representative.

**Inspection or Services**—If this Product needs to be inspected or serviced and is compliant in the country you live and use the Product in, please use the Horizon Online Service Request submission process found on our website or call Horizon to obtain a Return Merchandise Authorization (RMA) number. Pack the Product securely using a shipping carton. Please note that original boxes may be included, but are not designed to withstand the rigors of shipping without additional protection. Ship via a carrier that provides tracking and insurance for lost or damaged parcels, as Horizon is not responsible for merchandise until it arrives and is accepted at our facility. An Online Service Request is available at [http://www.horizonhobby.com/content/service-center\\_render-service-center](http://www.horizonhobby.com/content/service-center_render-service-center). If you do not have internet access, please contact Horizon Product Support to obtain a RMA number along with instructions for

submitting your product for service. When calling Horizon, you will be asked to provide your complete name, street address, email address and phone number where you can be reached during business hours. When sending product into Horizon, please include your RMA number, a list of the included items, and a brief summary of the problem. A copy of your original sales receipt must be included for warranty consideration. Be sure your name, address, and RMA number are clearly written on the outside of the shipping carton.

**NOTICE:** Do not ship LiPo batteries to Horizon. If you have any issue with a LiPo battery, please contact the appropriate Horizon Product Support office.

**Warranty Requirements**—For Warranty consideration, you must include your original sales receipt verifying the proof-of-purchase date. Provided warranty conditions have been met, your Product will be serviced or replaced free of charge. Service or replacement decisions are at the sole discretion of Horizon.

**Non-Warranty Service**—Should your service not be covered by warranty, service will be completed and payment will be required without notification or estimate of the expense unless the expense exceeds 50% of the retail purchase cost. By submitting the item for service you are agreeing to payment of the service without notification. Service estimates are available upon request. You must include this request with your item submitted for service. Non-warranty service estimates will be billed a minimum of ½ hour of labor. In addition you will be billed for return freight. Horizon accepts money orders and cashier's checks, as well as Visa, MasterCard, American Express, and Discover cards. By submitting any item to Horizon for service, you are agreeing to Horizon's Terms and Conditions found on our website [http://www.horizonhobby.com/content/service-center\\_render-service-center](http://www.horizonhobby.com/content/service-center_render-service-center).

**ATTENTION:** Horizon service is limited to Product compliant in the country of use and ownership. If received, a non-compliant Product will not be serviced. Further, the sender will be responsible for arranging return shipment of the un-serviced Product, through a carrier of the sender's choice and at the sender's expense. Horizon will hold non-compliant Product for a period of 60 days from notification, after which it will be discarded.

10/15

## Contact Information

Country of Purchase	Horizon Hobby	Contact Information	Address
United States of America	Horizon Service Center (Repairs and Repair Requests)	<a href="http://servicecenter.horizonhobby.com/Request-Form/">servicecenter.horizonhobby.com/Request-Form/</a>	2904 Research Rd Champaign, Illinois, 61822 USA
	Horizon Product Support (Product Technical Assistance)	<a href="mailto:productsupport@horizonhobby.com">productsupport@horizonhobby.com</a> 877-504-0233	
	Sales	<a href="mailto:websales@horizonhobby.com">websales@horizonhobby.com</a> 800-338-4639	
European Union	Horizon Technischer Service Sales: Horizon Hobby GmbH	<a href="mailto:service@horizonhobby.eu">service@horizonhobby.eu</a> +49 (0) 4121 2655 100	Hanskampring 9 D 22885 Barsbüttel, Germany

## FCC Information



### Contains FCC ID: BRWWAG01T

This equipment complies with FCC and IC radiation exposure limits set forth for an uncontrolled environment. This equipment should be installed and operated with minimum distance 20cm between the radiator and/or antenna and your body (excluding fingers, hands, wrists, ankles and feet). This transmitter must not be co-located or operating in conjunction with any other antenna or transmitter.

### Supplier's Declaration of Conformity

#### EFL UMX F-86 Sabre 30mm EDF BNF Basic (EFLU7050):

This device complies with part 15 of the FCC Rules. Operation is subject to the following two conditions: (1) This device may not cause harmful interference, and (2) this device must accept any interference received, including interference that may cause undesired operation.



**CAUTION:** Changes or modifications not expressly approved by the party responsible for compliance could void the user's authority to operate the equipment.

**NOTE:** This equipment has been tested and found to comply with the limits for a Class B digital device, pursuant to part 15 of the FCC Rules. These limits are designed to provide reasonable protection against harmful interference in a

residential installation. This equipment generates, uses and can radiate radio frequency energy and, if not installed and used in accordance with the instructions, may cause harmful interference to radio communications. However, there is no guarantee that interference will not occur in a particular installation. If this equipment does cause harmful interference to radio or television reception, which can be determined by turning the equipment off and on, the user is encouraged to try to correct the interference by one or more of the following measures:

- Reorient or relocate the receiving antenna.
- Increase the separation between the equipment and receiver.
- Connect the equipment into an outlet on a circuit different from that to which the receiver is connected.
- Consult the dealer or an experienced radio/TV technician for help.

Horizon Hobby, LLC  
2904 Research Rd.  
Champaign, IL 61822  
Email: [compliance@horizonhobby.com](mailto:compliance@horizonhobby.com)  
Web: [HorizonHobby.com](http://HorizonHobby.com)

## IC Information

### CAN ICES-3 (B)/NMB-3(B)

#### Contains IC: 6157A-WAC01T

This device contains license-exempt transmitter(s)/receivers(s) that comply with Innovation, Science, and Economic Development Canada's license-exempt RSS(s). Operation is subject to the following 2 conditions:

1. This device may not cause interference.
2. This device must accept any interference, including interference that may cause undesired operation of the device.

## Compliance Information for the European Union



### EU Compliance Statement:

#### EFL UMX F-86 Sabre 30mm EDF BNF Basic (EFLU7050):

Hereby, Horizon Hobby, LLC

declares that the device is in compliance with the following: EU Radio Equipment Directive 2014/53/EU, RoHS 2 Directive 2011/65/EU, RoHS 3 Directive - Amending 2011/65/EU Annex II 2015/863.

The full text of the EU declaration of conformity is available at the following internet address: <https://www.horizonhobby.com/content/support-render-compliance>.

### Receiver:

2402-2478 MHz  
1.43dBm

### EU Manufacturer of Record:

Horizon Hobby, LLC  
2904 Research Road  
Champaign, IL 61822 USA

### EU Importer of Record:

Horizon Hobby, GmbH  
Hanskampring 9  
22885 Barsbüttel Germany

### WEEE NOTICE:



This appliance is labeled in accordance with European Directive 2012/19/EU concerning waste of electrical and electronic equipment (WEEE). This label indicates that this product should not be disposed of with household waste. It should be deposited at an appropriate facility to enable recovery and recycling.



## HINWEIS

Alle Anweisungen, Garantien und andere Begleitdokumente können von Horizon Hobby, LLC nach eigenem Ermessen geändert werden. Um aktuelle Produktinformationen zu erhalten, besuchen Sie <http://www.horizonhobby.com> oder [towerhobbies.com](http://towerhobbies.com) und klicken Sie auf die Registerkarte Support oder Ressourcen für dieses Produkt.

## BEGRIFFSERKLÄRUNG

Die folgenden Begriffe werden in der gesamten Produktliteratur verwendet, um die Gefährdungsstufen im Umgang mit dem Produkt zu definieren:

**WARNUNG:** Verfahren, die bei nicht ordnungsgemäßer Durchführung womöglich Schäden an Eigentum, Kollateralschäden und schwere Verletzungen ODER höchstwahrscheinlich oberflächliche Verletzungen verursachen können.

**ACHTUNG:** Verfahren, die bei nicht ordnungsgemäßer Durchführung womöglich Schäden an physischem Eigentum UND schwere Verletzungen verursachen können.

**HINWEIS:** Verfahren, die bei nicht ordnungsgemäßer Durchführung womöglich Schäden an physischem Eigentum UND geringfügige oder keine Verletzungen verursachen können.



**WARNUNG:** Lesen Sie die GESAMTE Bedienungsanleitung, um sich vor Inbetriebnahme mit den Funktionen des Produkts vertraut zu machen. Eine nicht ordnungsgemäße Bedienung des Produkts kann das Produkt und persönliches Eigentum schädigen und schwere Verletzungen verursachen.

Dies ist ein hoch entwickeltes Produkt für den Hobbygebrauch. Es muss mit Vorsicht und Umsicht bedient werden und erfordert einige mechanische Grundfertigkeiten. Wird das Produkt nicht sicher und umsichtig verwendet, so könnten Verletzungen oder Schäden am Produkt oder anderem Eigentum entstehen. Dieses Produkt ist nicht für den Gebrauch durch Kinder ohne direkte Aufsicht eines Erwachsenen vorgesehen. Versuchen Sie nicht, das Produkt ohne Zustimmung von Horizon Hobby, LLC zu zerlegen, mit nicht kompatiblen Komponenten zu verwenden oder beliebig zu verbessern. Dieses Handbuch enthält Sicherheitshinweise sowie Anleitungen zu Betrieb und Wartung. Es ist unerlässlich, dass Sie alle Anleitungen und Warnungen in diesem Handbuch vor dem Zusammenbau, der Einrichtung oder der Inbetriebnahme lesen und diese befolgen, um eine korrekte Bedienung zu gewährleisten und Schäden bzw. schwere Verletzungen zu vermeiden.

**ALTERSEMPFEHLUNG: Nicht für Kinder unter 14 Jahren. Dies ist kein Spielzeug.**

## Sicherheitsmaßnahmen und Warnungen

Als Benutzer dieses Produkts sind ausschließlich Sie für einen Betrieb verantwortlich, der weder Sie selbst noch andere gefährdet, bzw. der weder das Produkt noch Eigentum anderer beschädigt.

- Halten Sie stets in alle Richtungen einen Sicherheitsabstand zu Ihrem Modell ein, um Kollisionen und Verletzungen zu vermeiden. Dieses Modell wird über ein Funksignal gesteuert. Funksignale können von außerhalb gestört werden, ohne dass Sie darauf Einfluss nehmen können. Störungen können zu einem vorübergehenden Verlust der Steuerungskontrolle führen.
- Betreiben Sie Ihr Modell stets auf offenen Geländen, weit ab von Autos, Verkehr und Menschen.
- Befolgen Sie die Anweisungen und Warnungen für dieses Produkt und jedwedes optionales Zubehörteil (Ladegeräte, wieder aufladbare Akkus etc.) stets sorgfältig.
- Halten Sie sämtliche Chemikalien, Kleinteile und elektrische Komponenten stets außer Reichweite von Kindern.
- Vermeiden Sie den Wasserkontakt aller Komponenten, die nicht speziell dafür ausgelegt und entsprechend geschützt sind. Feuchtigkeit beschädigt die Elektronik.
- Nehmen Sie niemals ein Element des Modells in Ihren Mund, da dies zu schweren Verletzungen oder sogar zum Tod führen könnte.
- Betreiben Sie Ihr Modell niemals mit schwachen Senderbatterien.
- Behalten Sie das Modell stets im Blick und unter Kontrolle.
- Verwenden Sie nur vollständig aufgeladene Akkus.
- Behalten Sie den Sender stets eingeschaltet, wenn das Modell eingeschaltet ist.
- Entfernen Sie stets den Akku, bevor Sie das Modell auseinandernehmen.
- Halten Sie bewegliche Teile stets sauber.
- Halten Sie die Teile stets trocken.
- Lassen Sie die Teile stets auskühlen, bevor Sie sie berühren.
- Entfernen Sie nach Gebrauch stets den Akku.
- Stellen Sie immer sicher, dass der Failsafe vor dem Flug ordnungsgemäß eingestellt ist.
- Betreiben Sie das Modell niemals bei beschädigter Verkabelung.
- Berühren Sie niemals sich bewegende Teile.



**WARNUNG VOR GEFÄLSCHTEN PRODUKTEN:** Sollten Sie jemals eine Spektrum Komponente ersetzen wollen, kaufen Sie die benötigten Ersatzteile immer bei Horizon Hobby oder einem von Horizon Hobby autorisierten Händler, um sicherzugehen, dass Sie beste Spektrum Qualität erhalten. Horizon Hobby, LLC lehnt jedwede Haftung, Garantie und Serviceleistung in Bezug auf, aber nicht ausschließlich für, Kompatibilitäts- und Leistungsansprüche von gefälschten Produkten oder Produkten, die angeben mit DSM oder Spektrum kompatibel zu sein, ab.

## Registrierung

Registrieren Sie Ihr Produkt heute, um zu unserer Mailing-Liste zu gehören und mit Produktaktualisierungen, Angeboten und E-flite News auf dem neuesten Stand zu sein.



### Spezifikationen

<b>Spannweite</b>	443mm (17.44")
<b>Länge</b>	466mm (18.3")
<b>Gewicht</b>	Ohne Akku: 167g (5.9 oz) Mit empfohlenem 4S 450mAh Akku: 218g (7.7 oz)

### Enthaltene Ausrüstung

<b>Empfänger/Geschwindigkeitsregler</b>	Spektrum Empfänger-/Geschwindigkeitsregler-Einheit (SPMA3191)
<b>Motor</b>	Bürstenloser Motor: 1010-8300Kv (SPMXAM3200)
<b>Servo</b>	Spektrum A201 2,3g linear angeordneter Leistungsservo (SPMSA201)

### Empfohlene Ausrüstung

<b>Sender</b>	Vollbereich 5+ Kanal 2,4GHz mit Spektrum DSM2/DSMX Technologie
<b>Akku</b>	Spektrum 450mAh 4S 14,8V 30C LiPo-Akku: IC2 (SPMX4504SIC2)
<b>Akkuladegerät</b>	S100 G2 USB-C Smart-Ladegerät (SPMXC2090)

## Inhaltsverzeichnis

Niederspannungsabschaltung (LVC) .....	20	Handstart.....	26
Senderprogrammierung .....	20–21	Checkliste nach dem Flug .....	26
Binden von Sender und Empfänger .....	22	Wartung der Antriebskomponenten .....	27
Integrierte Telemetrie .....	22	Das Fahrwerk .....	27
SAFE® Select-Technologie .....	23	Fehlerbehebung AS3X®-System .....	28
Aktivierung Geschwindigkeitsregler/ Empfänger und Einsetzen der Akkus .....	24	Fehlerbehebung .....	28–29
Schwerpunkt (CG) .....	24	Ersatzteile .....	30
Steuerrichtungstest .....	25	Empfohlene Bauteile .....	30
Zentrieren der Kontrollen .....	25	Optionale Bauteile und Zubehörteile .....	30
Werkseinstellung Ruderhörner .....	25	Haftungsbeschränkung .....	30–31
Tipps zum Fliegen und Reparieren .....	26	Garantie und Service Kontaktinformationen .....	31
		Konformitätshinweise für die Europäische Union .....	31

## Allgemeine Tipps zur Bindung und Failsafe BNF

- Der mitgelieferte Sender wurde speziell für den Betrieb dieses Fluggeräts programmiert. Nach dem Austausch des Empfängers sind die Anweisungen zur ordnungsgemäßen Einrichtung dem Empfängerhandbuch zu entnehmen.
- Während des Bindens von großen Metallobjekten fern halten.
- Die Senderantenne während des Bindens nicht direkt auf den Empfänger richten.
- Die orangefarbene LED auf dem Empfänger beginnt, schnell zu blinken, wenn der Empfänger in den Bindungsmodus wechselt.
- Nach erfolgter Bindung behält der Empfänger seine Bindungseinstellungen für den Empfänger bei, bis eine neue Bindung erfolgt.
- Wird die Kommunikation zwischen Empfänger und Sender unterbrochen, so wird Failsafe aktiviert. Durch Failsafe wird der Gaskanal in die Position „wenig Gas“ gebracht. Steig- und Roll-Kanäle verschieben sich, um das Fluggerät in einer absteigenden Kurve zu stabilisieren.
- Treten Probleme auf, ist die Anleitung zur Fehlerbehebung zu konsultieren, bei Bedarf hilft die Produktsupport-Abteilung von Horizon weiter.

## Niederspannungsabschaltung (LVC)

Wird ein LiPo Akku unter 3 Volt pro Zelle entladen kann er keine Spannung mehr halten. Der Regler schützt den Akku vor einer Unterspannung mit der Niederspannungsabschaltung (LVC). Unabhängig von der Gasknüppelstellung wird dann die Leistung reduziert, um einen Absinken der Zellenspannung unter 3 Volt zu verhindern.

Der Motor fängt dann an zu pulsieren und zeigt damit an, dass noch Energie für eine sichere Landung bleibt. Bitte landen Sie sofort wenn der Motor zu pulsieren anfängt und laden den Akku wieder auf.

Trennen Sie nach dem Fliegen immer den Akku vom Empfänger und entfernen ihn aus dem Flugzeug. Laden Sie den Akku auf die halbe Kapazität bevor Sie ihn einlagern. Stellen Sie bitte sicher, dass die Akkuspannung nicht unter 3 Volt pro Zelle fällt. Trennen Sie den Akku nicht wird er tiefentladen.

Stellen Sie für die ersten Flüge die Stopuhr oder den Timer auf ihrer Fernsteuerung auf 4 Minuten ein. Stellen Sie den Timer nach dem ersten Flug länger oder kürzer ein.

**HINWEIS:** Wiederholtes Fliegen in die Niederspannungsabschaltung beschädigt den Akku.

## Senderprogrammierung

Wenn Ihr Sender es zulässt, aktivieren Sie die Gasabschaltungsfunktion. Aktivieren Sie immer die Gasabschaltung, bevor Sie sich dem Flugzeug nähern.

### Duale Geschwindigkeiten

Für die ersten Flüge wird eine niedrige Rate empfohlen.

**HINWEIS:** Um sicherzustellen, dass die AS3X-Technologie einwandfrei funktioniert, sollten Sie die Werte nicht unter 50 % senken.

**HINWEIS:** Tritt Oszillation bei hoher Geschwindigkeit auf, die Fehlerbehebung für weitere Informationen lesen.

### Exponential

Nach Ihren ersten Flügen können Sie den Expo-Wert an Ihren Flugstil anpassen.

Telemetrie-Alarme	
Smart-Geschwindigkeitsregler: 12-polig	
Rx V / Min Rx V	4.2V
Geschwindigkeitsregler Smart/ Niederspannungsalarm	3.4V
Smart-Akku / Startmindestspannung	4.0V

## Konfiguration von Sendern der NX-Serie

1. Schalten Sie Ihren Sender EIN, klicken Sie das Scrollrad an, gehen Sie zu Systemkonfiguration und klicken Sie das Scrollrad an. JA auswählen.
2. Gehen Sie auf Modellauswahl und wählen Sie Neues Modell hinzufügen weiter unten in der Liste. Wählen Sie Flugzeugtyp durch Auswählen des Flugzeugbilds, wählen Sie Erstellen.
3. Modellnamen einstellen: Geben Sie einen Namen für Ihre Modelldatei ein.
4. Gehen Sie zu Flugzeugtyp und scrollen Sie zur Tragflächenauswahl, wählen Sie **Tragfläche: 1 Normal**  
**Leitwerk: Normal**
5. Wählen Sie Hauptbildschirm, Klicken Sie das Scrollrad an, um zur Funktionsliste zu gelangen.
6. Gehen Sie zum Menü **D/R (Duale Geschwindigkeit)** und **Expo**, um **D/R** und **Expo** einzustellen.
7. Duale Geschwindigkeiten und Expo: **Querruder**  
Schalter einstellen: **Schalter F**  
**Hohe Geschwindigkeiten einstellen: 100%, Expo 10% — Niedrige Geschwindigkeiten: 70%, Expo 5%**
8. Duale Geschwindigkeiten und Expo: **Höhenruder**  
Schalter einstellen: **Schalter C**  
**Hohe Geschwindigkeiten: 100%, Expo 10% — Niedrige Geschwindigkeiten 70%, Expo 5%**
9. Duale Geschwindigkeiten und Expo: **Seitenruder**  
Schalter einstellen: **Schalter G**  
**Hohe Geschwindigkeiten: 100%, Expo 10% — Niedrige Geschwindigkeiten 70%, Expo 5%**
10. Gasabschaltung einstellen; Schalter: **Schalter H**, Position: **-100%**



## Senderprogrammierung

### Konfiguration von Sendern der DX-Serie

1. Schalten Sie Ihren Sender EIN, klicken Sie das Scrollrad an, gehen Sie zu Systemkonfiguration und klicken Sie das Scrollrad an. JA auswählen.
2. Gehen Sie auf Modellauswahl und wählen Sie Neues Modell hinzufügen ganz unten in der Liste. Das System fragt, ob Sie ein neues Modell erstellen möchten, wählen Sie Erstellen.
3. Modelltyp einstellen: Wählen Sie Flugzeugmodelltyp durch Auswählen des Flugzeugs. Das System bittet Sie, den Modelltyp zu bestätigen. Die Daten werden zurückgesetzt. JA auswählen
4. Modellnamen einstellen: Geben Sie einen Namen für Ihre Modelldatei ein.
5. Gehen Sie zu Flugzeugtyp und scrollen Sie zur Tragflächenauswahl, wählen Sie **Tragfläche: 1 Normal**  
**Leitwerk: Normal**
6. Wählen Sie Hauptbildschirm, Klicken Sie das Scrollrad an, um zur Funktionsliste zu gelangen.
7. D/R (Duale Geschwindigkeit) und Expo einstellen: **Querruder**  
Schalter einstellen: **Schalter F**  
**Hohe Geschwindigkeiten einstellen: 100%, Expo 10% — Niedrige Geschwindigkeiten: 70%, Expo 5%**
8. D/R (Duale Geschwindigkeit) und Expo einstellen: **Höhenruder**  
Schalter einstellen: **Schalter C**  
**Hohe Geschwindigkeiten: 100%, Expo 10% — Niedrige Geschwindigkeiten 70%, Expo 5%**
9. Duale Geschwindigkeiten und Expo: **Seitenruder**  
Schalter einstellen: **Schalter G**  
**Hohe Geschwindigkeiten: 100%, Expo 10% — Niedrige Geschwindigkeiten 70%, Expo 5%**
10. Gasabschaltung einstellen; Schalter: **Schalter H**, Position: **-100%**

### Konfiguration von Sendern der iX-Serie

1. Schalten Sie Ihren Sender EIN und beginnen Sie, sobald die App Spektrum AirWare geöffnet ist.  
Wählen Sie das orangene Stiftsymbol oben links auf dem Bildschirm, das System erfragt eine Erlaubnis zum Ausschalten RF, wählen Sie **FORTFAHREN**.
2. Wählen Sie die drei Punkte in der oberen rechten Ecke des Bildschirms und wählen Sie Neues Modell hinzufügen.
3. Gehen Sie auf Modelloption, wählen Sie **STANDARDMÄSSIG**, wählen Sie Flugzeug. Das System fragt, ob Sie ein neues Acro-Modell erstellen möchten, wählen Sie Erstellen.
4. Wählen Sie das letzte Modell in der Liste aus, das Acro heißt. Klicken Sie das Wort Acro an und geben Sie der Datei einen neuen Namen Ihrer Wahl.
5. Drücken und halten Sie das Pfeil-zurück-Symbol in der oberen linken Ecke des Bildschirms, um zum Hauptbildschirm zurückzukehren.
6. Zum Menu Einstellungen des Modells gehen. Flugzeug-Typ auswählen. Das System bittet um die Erlaubnis, RF auszuschalten, wählen Sie **FORTFAHREN**.  
Berühren Sie den Bildschirm, um eine Tragfläche auszuwählen. **Normal** auswählen.
7. Drücken und halten Sie das Pfeil-zurück-Symbol in der oberen linken Ecke des Bildschirms, um zum Hauptbildschirm zurückzukehren.
8. Zum Menu Anpassen des Modells gehen.
9. Duale Geschwindigkeiten und Expo einstellen: Querruder auswählen  
Schalter einstellen: **Schalter F**  
**Hohe Geschwindigkeiten einstellen: 100%, Expo 10% — Niedrige Geschwindigkeiten: 70%, Expo 5%**
10. Duale Geschwindigkeiten und Expo einstellen: Höhenruder auswählen  
Schalter einstellen: **Schalter C**  
**Hohe Geschwindigkeiten: 100%, Expo 10% — Niedrige Geschwindigkeiten 70%, Expo 5%**
11. Duale Geschwindigkeiten und Expo: **Seitenruder**  
Schalter einstellen: **Schalter G**  
**Hohe Geschwindigkeiten: 100%, Expo 10% — Niedrige Geschwindigkeiten 70%, Expo 5%**
12. Gasabschaltung einstellen; Schalter: **Schalter H**, Position: **-100%**

## Binden von Sender und Empfänger

Beim Bindeprozess wird der Empfänger programmiert, um den GUID- (Global eindeutiger Identifikations-) Code eines einzelnen speziellen Senders zu erkennen. Für einen ordnungsgemäßen Betrieb müssen Sie Ihren gewählten Flugzeug-sender mit Spektrum DSM2/DSMX-Technologie an den Empfänger „binden“.

Jeder Spektrum DSM2/DSMX Sender kann mit einem DSM2/DSMX Empfänger gebunden werden.

Der Bindevorgang
1. Siehe Handbuch des Senders hinsichtlich Anweisungen für das Binden eines Empfängers (Position der Bindungskontrolle des Senders).
2. Bitte stellen Sie sicher, dass der Akku vom Flugzeug getrennt ist.
3. Schalten Sie den Sender ein.
4. Das Flugzeug auf eine ebene Fläche, weg vom Wind stellen.
5. Schließen Sie den Flugakku an das Flugzeug an. Die Empfänger LED beginnt schnell zu blinken (normalerweise nach 5 Sekunden).
6. Bitte stellen Sie sicher, dass die Senderkontrollen auf Neutral stehen und die Gastrimmung in unterster Position ist.
7. Aktivieren Sie den Bindemodus Ihres Senders. Bitte lesen Sie die Position des Bindebuttons oder Schalter in der Bedienungsanleitung Ihres Senders.
8. Nach 5 bis 10 Sekunden leuchtet die Empfänger-LED und zeigt damit an, dass der Empfänger an den Sender gebunden ist. Sollte die LED nicht leuchten, lesen Sie bitte in der Hilfestellung zur Problemlösung auf der Rückseite der Anleitung nach.

Für nachfolgende Flüge schalten Sie den Sender 5 Sekunden vor dem Anschließen des Senderakkus ein.

## Integrierte Telemetrie

Dieses Flugzeug umfasst Telemetrie zwischen dem ESC und Empfänger, die können Informationen einschließlich; RPM, Spannung, motor Strom, Drossel Einstellung (%), FET (speed controller) Temperatur, und BEC (servo Netzteil) Temperatur.

### Zum Anzeigen von Telemetrie:

1. Beginnen Sie mit dem an den Empfänger gebundenen Sender.
2. Den Sender einschalten.
3. Schalten Sie das Fluggerät ein.

4. In der oberen linken Ecke des Bildschirms erscheint eine Signalleiste, wenn Telemetrieinformationen eingehen.
5. Die Technologiebildschirme werden beim Navigieren nach dem Servo-Monitor angezeigt.

Weitere Informationen zu kompatiblen Sendern, Firmware-Aktualisierungen und zur Telemetrie-Technologie auf Ihrem Sender finden Sie unter [www.SpektrumRC.com](http://www.SpektrumRC.com).

## SAFE® Select-Technologie

Die UMX F-86 Sabre verfügt über zwei, durch Kanal 5, SAFE und AS3X gesteuerte Flugmodi. Schalter A ist der Spektrum-Standard für Kanal 5. Position 0 entspricht SAFE, Position 1 nur AS3X.

Wenn das Flugzeug im SAFE-Modus fliegt, kehrt es in den Horizontalflug zurück, wenn sich die Querruder- und Höhenrudersteuerung auf Neutral befinden. Mit der Querruder- oder Höhenrudersteuerung kann bewirkt werden, dass das Flugzeug sich neigt, steigt oder in einen Sturzflug übergeht. Zudem bestimmt die Intensität mit der Steuerhebel bewegt wird die Fluglage des Flugzeugs. Die volle Kontrolle zu behalten, fordert die voreingestellten Neigungs- und Steigungsgrenzen des Flugzeugs heraus, führt aber nicht zu einem Überschreiten dieser Winkel.

Beim Fliegen im SAFE-Modus wird der Steuerhebel normalerweise in ausgelenkter Position gehalten, bei moderater Eingabe beim Querruder in Kurven. Um mit SAFE reibungslos zu fliegen, häufige Steuerungsänderungen vermeiden und das Korrigieren kleinerer Abweichungen möglichst vermeiden. Durchdachte Steuereingaben geben dem Flugzug den Befehl, in einem bestimmten Winkel zu fliegen und das Modell nimmt alle Anpassungen vor, um die Fluglage zu halten.

Die Höhen- und Querrudersteuerung auf Neutral stellen, und dann vom SAFE-Modus in den AS3X-Modus wechseln. Wird beim Umschalten in den AS3X-Modus die Steuerung nicht neutralisiert, sind die für den SAFE-Modus verwendeten Steuereingänge für den AS3X-Modus zu groß und das Flugzeug reagiert sofort.

### Unterschiede zwischen den Modi SAFE und AS3X

Dieser Abschnitt ist grundsätzlich präzise, berücksichtigt aber nicht die Fluggeschwindigkeit, den Ladezustand der Batterie und andere einschränkende Faktoren.

		SAFE Select	AS3X
Steuereingabe	Steuerhebel wird in Neutralposition gebracht	Flugzeug richtet sich selbst aus	Flugzeug behält aktuelle Position bei
	Geringfügige Steuereingaben	Flugzeug wird in eine moderate Schräglage bzw. Neigung bewegt, wo es verbleibt.	Weiterhin langsames Neigen und Rollen des Flugzeugs
	Volle Steuerung	Flugzeug wird bis zu den vorgegebenen Grenzen in Schräglage bzw. Neigung bewegt, wo es verbleibt.	Weiterhin schnelles Neigen und Rollen des Flugzeugs

### Deaktivieren und Aktivieren von SAFE Select

Standardmäßig ist die SAFE Select-Funktion Ihres UMX-Flugzeugs aktiviert und dem Getriebekanal (Kanal 5) zugeordnet. Wenn Sie während des Fluges nicht auf SAFE Select zugreifen möchten, können Sie die SAFE Select-Funktion deaktivieren. AS3X ist weiterhin aktiv, wenn SAFE Select deaktiviert ist.

**WICHTIG:** Bevor Sie versuchen, SAFE Select zu deaktivieren oder zu aktivieren, vergewissern Sie sich, dass die Kanäle für Querruder, Höhenruder, Seitenruder, Gas und Getriebe alle auf einer hohen Geschwindigkeit sind, wobei der Verfahrensweg auf 100 % eingestellt ist. „Throttle-Hold“ auf OFF stellen, falls im Sender programmiert.



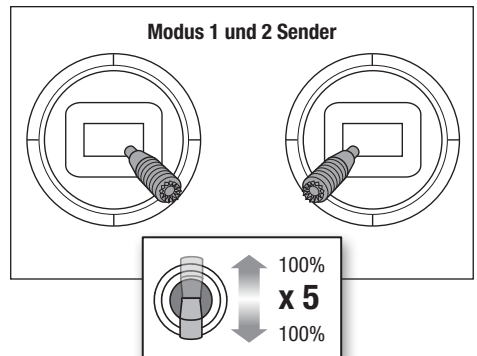
**ACHTUNG:** Alle Körperteile von Propeller fernhalten und das Fluggerät bei versehentlicher Gasbetätigung sicher festhalten.

1. Den Sender einschalten.
2. Schalten Sie das Fluggerät ein.
3. Beide Hebel des Senders in die unteren inneren Ecken halten und den Getriebeschalter 5-mal hin- und herschalten (1 Umschalten = vollständig von oben nach unten). Die Steueroberflächen des Flugzeugs bewegen sich und zeigen an, dass SAFE Select aktiviert oder deaktiviert wurde.

Wiederholen Sie den Vorgang, um SAFE Select wieder zu aktivieren oder zu deaktivieren.

### DXe- und DXS-Sender

Schalter A ist der FMODE-Schalter auf diesen Sendern. Ein Schalter wird zum Schalten zwischen den Positionen 0 und 2 beim Deaktivieren/Aktivieren von SAFE-Select benötigt.



## Aktivierung Geschwindigkeitsregler/Empfänger und Einsetzen der Akkus

**ACHTUNG:** Halten Sie immer die Hände vom Propeller weg. Ist der Regler armiert dreht der Motor bei Gaseingabe sofort los.

Der Regler wird auch nach dem Bindevorgang armiert. Jeder weiterer Anschluß des Flugakkus erfordert die folgenden Schritte.

### AS3X

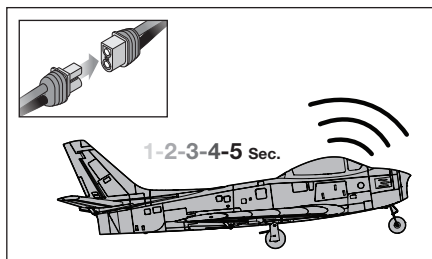
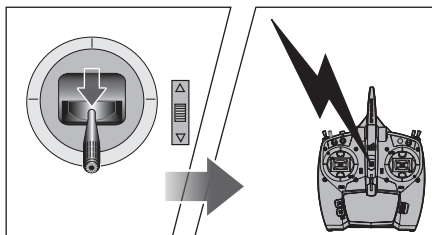
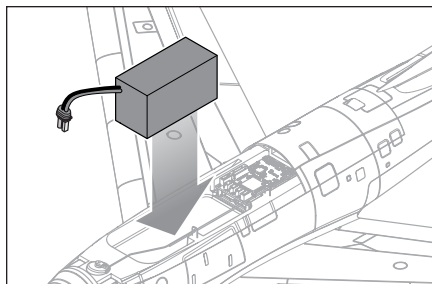
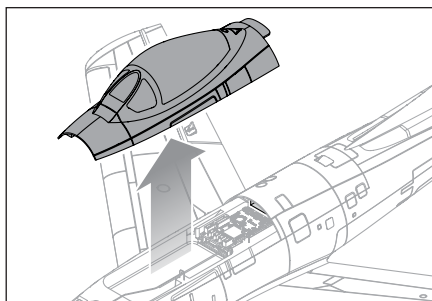
Das AS3X®-System wird sich erst **aktivieren**, nachdem der Gashebel zum ersten Mal über 25 % erhöht wurde. Nach der Aktivierung können sich die Steueroberflächen schnell und laut am Flugzeug bewegen. Das ist normal. Die AS3X-Technologie bleibt bis zur Trennung des Akkus aktiv.

1. Öffnen Sie die Akku-Abdeckung.
2. Befestigen Sie den Akku am Klettband, so dass er sich mittig im Akkufach befindet.
3. Senken Sie den Gashebel und schalten Sie den Sender ein. Den Drosselklappenschalter aktivieren.
4. Die Batterie am Geschwindigkeitsregler mit der richtigen Polarität anschließen. Das Flugzeug für 5 Sekunden still und nicht in den Wind halten, damit sich das AS3X-System initialisieren kann. Eine Tonfolge und eine durchgängig leuchtende LED (schwierig zu sehen, weil im Inneren des Fluggeräts angebracht) zeigen die erfolgreiche Verbindung an.

Eine durchgängig blaue LED zeigt an, dass sich das Fluggerät im Flugmodus befindet, eine durchgehende rote LED, dass sich das Fluggerät im AS3X-Flugmodus befindet. Wenn das Fluggerät sich im SAFE-Modus befindet, bewegen sich die Servomotoren ohne die Geschwindigkeit über 25 % steigen zu lassen.

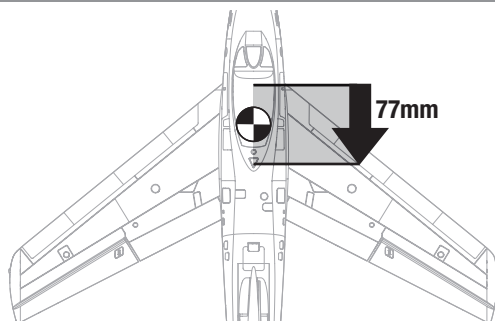
**ACHTUNG:** Halten Sie immer ihre Hände weg vom Propeller. Ist der Regler armiert dreht der Motor bei jeder Gaseingabe los.

**ACHTUNG:** Trennen Sie immer den LiPo Akku vom Flugzeug wenn Sie nicht fliegen um ein tiefentladen des Akkus zu vermeiden. Akkus die unter die zulässige Mindestspannung entladen werden, können beschädigt werden was zu Leistungsverlust und potentieller Brandgefahr bei dem Laden führen kann.



## Schwerpunkt (CG)

Der CG wird 77 mm von der Vorderkante des Flügels aus gemessen, wo dieser auf den Rumpf trifft. Der Schwerpunkt wurde mit dem empfohlenen Akku bestimmt. Stellen Sie den Akku nach vorne oder hinten, so dass das Modell ein Gleichgewicht am empfohlenen Schwerpunkt erreicht.



## Steuerrichtungstest

Den Sender einschalten, die Drosselklappe aktivieren und den Akku anschließen. Den Sender zum Steuern der Querruder-, Höhenruder- und Seitenrudersteuerungen verwenden. Beim Prüfen der Steuerungsrichtungen das Fluggerät von hinten ansehen.

### Höhenruder



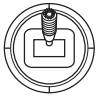

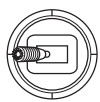

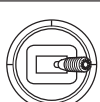

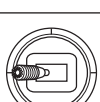
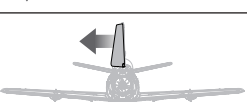
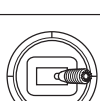
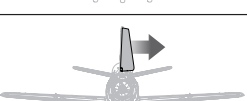
1. Den Höhenruder-Hebel zurückziehen. Das Höhenruder sollte sich nach oben bewegen, sodass das Fluggerät steigt.
2. Den Höhenruder-Hebel nach vorne drücken. Das Höhenruder sollte sich nach unten bewegen, sodass das Fluggerät sinkt.

### Querruder

3. Den Querruder-Hebel nach links bewegen. Das linke Querruder sollte sich nach oben und das rechte Querruder nach unten bewegen, sodass sich das Fluggerät nach links neigt.
4. Den Querruder-Hebel nach rechts bewegen. Das rechte Querruder sollte sich nach oben und das linke Querruder nach unten bewegen, sodass sich das Fluggerät nach rechts neigt.

### Seitenruder

5. Den Seitenruder-Hebel nach links bewegen. Das Seitenruder sollte sich nach links bewegen, sodass das Flugzeug nach links giert.
6. Den Seitenruder-Hebel nach rechts bewegen. Das Seitenruder sollte sich nach rechts bewegen, sodass das Fluggerät nach rechts giert.

	Sendersteuerung	Reaktion der Steuerflächen
Höhenruder		
		
Querruder		
		
Seitenruder		
		

## Zentrieren der Kontrollen

**Bitte stellen Sie vor den ersten Flügen oder nach einem Absturz sicher, dass die Ruderflächen zentriert sind.**

Justieren Sie die Anlenkungen mechanisch. Die Zentrierung mit der Sender Sub Trimm Funktion könnte möglicherweise durch die mechanische Begrenzung der Servos nicht richtig erfolgen.

1. Stellen Sie sicher, dass die Ruderflächen bei zentrierter Steuerung ebenfalls zentriert sind. Die Sub Trimm Einstellung des Senders muss ebenfalls auf Null stehen.
2. Entfernen Sie die Kugelgelenkverbindung vom Steuerhorn.
3. Stellen Sie das Kunststoff-Kugelgelenk durch Ein- oder Ausdrehen ein und montieren es dann wieder auf dem Steuerhorn an.

### Zentrieren der Kontrollen nach den ersten Flügen

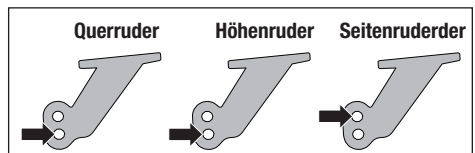


**Für die beste Leistung des AS3X Systems ist es wichtig, dass keine großen Trimmeingaben am Sender erfolgen.** Sollte das Flugzeug große Trimmausschläge benötigen (4 oder mehr Klicks) bringen Sie die Trimmung wieder auf Neutral und justieren die Anlenkung manuell.

## Werkseinstellung Ruderhörner

Die Abbildung zeigt die Einstellung für Kunstflug. Dies Position der Anlenkungen in den Ruderhörner hat direkten Einfluss auf die Reaktionen des Flugzeuges.

**ACHTUNG:** Sollte die Anschlussposition nicht entsprechend den Fähigkeiten des Piloten gewählt worden sein, können unerwartete Reaktionen des Flugzeuges die Folge sein. Dieses kann zu Sachbeschädigung oder Körperverletzung führen.



## Tipps zum Fliegen und Reparieren



**WARNING:** Aktivieren Sie immer die Gasabschaltung, bevor Sie sich dem Flugzeug nähern.

### Reichweitentest für das Funksystem durchführen

Reichweitentest für das Funksystem mit dem Fluggerät durchführen. Siehe spezifisches Handbuch des Senders zu Informationen zum Reichweitentest.

### Fliegen

Wir empfehlen das Fliegen des Fluggeräts im Freien bei maximal moderaten Windverhältnissen oder in einer großen Sporthalle. Das Fliegen in der Nähe von Häusern, Bäumen, Kabeln und Gebäuden vermeiden. Das Fliegen in Umgebungen mit vielen Menschen, wie belebte Parks, Schulhöfe oder Fußballfelder, sollte ebenfalls vermieden werden. Vor der Wahl des Standorts für das Fliegen des Fluggeräts die örtlichen Gesetze und Verordnungen konsultieren.



### Start

Das Flugzeug in die Position für den Start bringen (bei Flügen im Freien gegen den Wind weisend). Duale Geschwindigkeiten in die niedrige Position bringen und den Gashebel schrittweise auf 3/4 bis Vollgas erhöhen und mit dem Seitenruder lenken. Das Höhenruder sanft zurückziehen und in Höhe steigen, um die Trimmung zu prüfen. Sobald die Trimmung angepasst ist, den Flugbereich des Flugzeugs erkunden.

### Handstart

Zum Handstart des Fluggeräts, die Unterseite des Rumpfs unmittelbar hinter dem Flügel vorsichtig fassen. Wir empfehlen, im SAFE-Flugmodus zu starten. Den Gashebel in die Vollgasposition bewegen und das Flugzeug sanft und leicht nach oben (5-10 Grad über dem Horizont) direkt

vorwärts in den Wind werfen. Nachdem das Modell an Höhe und Geschwindigkeit gewonnen hat, die Gaszufuhr wie gewünscht senken.

### Landen

Immer im Wind landen. Während des Abfangens die Tragflächen waagrecht und das Flugzeug im Wind halten. Langsam die Gaszufuhr senken und gleichzeitig das Höhenruder zurücknehmen, um das Fluggerät auf allen drei Rädern aufsetzen zu lassen.

**HINWEIS:** Um Schäden an Propeller und Motor zu vermeiden, die Gaszufuhr immer vollständig senken, wenn das Flugzeug bei der Landung den Boden berührt.

Werden Gashebel und Trimmung während eines Absturzes nicht auf die niedrigst möglichen Positionen eingestellt, können Schäden am Geschwindigkeitsregler in der Empfängereneinheit auftreten.

### Überstromschutz (OCP)

Das Fluggerät ist mit einem Überstromschutz ausgestattet. Der Überstromschutz schützt den Geschwindigkeitsregler vor Überhitzung und stoppt die Motoren, wenn die Gaszufuhr auf dem Sender zu hoch eingestellt ist und sich der Propeller nicht drehen kann. Der Überstromschutz wird nur aktiviert, wenn der Gashebel etwas über 1/2 Gas positioniert wird. Nachdem der Geschwindigkeitsregler den Motor gestoppt hat, den Gashebel vollständig senken, um den Geschwindigkeitsregler wieder zu aktivieren.

### Reparaturen

Schäden durch Abstürze werden durch die Garantie nicht gedeckt.

Dieses Fluggerät mit schaumverträglichem CA-Klebstoff oder Klarsichtklebeband reparieren. Nur schaumverträglichen CA-Klebstoff verwenden, da andere Klebstoffe den Schaumstoff beschädigen können. Können Bauteile nicht repariert werden, siehe Ersatzteilliste zum Bestellen nach Artikelnummer.

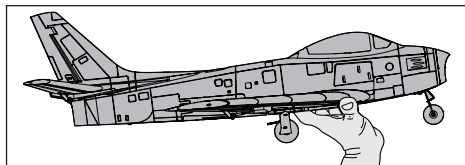
## Handstart

**HINWEIS:** Wir empfehlen einen Handstart im SAFE-Modus, gegen den Wind, bei voller Kraft (100 %) mit hohen Geschwindigkeiten.

Beim Handstart im SAFE-Modus wird die Steuereinheit die Startkraft wahrnehmen und automatisch die Unterstützungsfunktion für Handstart auslösen. Wenn diese Funktion aktiviert ist, fährt die Steuereinheit das Seitenruder aus, damit das Flugzeug einige Sekunden lang in einem höheren Winkel ansteigt. Kurz nach dem Start kehrt sie wieder in den standardmäßigen SAFE-Modus zurück.

### Halten

Wir empfehlen, das Flugzeug wie abgebildet an der Unterseite des Rumpfes, direkt hinter den Flügeln, zu halten.



### Weiterverfolgung

Verwenden Sie einen Überhandwurf und starten Sie mit waagerechten Tragflächen und der Spitze des Modells leicht nach oben gerichtet. Weiterverfolgung bei Ihrem Handstart durch Zeigen mit den Fingern auf das Flugzeug nach dem Wurf. Vermeiden Sie bogenförmiges Werfen, wodurch die Spitze beim Loslassen nach unten sinken kann.

## Checkliste nach dem Flug

Trennen Sie den Flugakku vom Regler (erforderlich aus Sicherheitsgründen und zur Verlängerung der Akkuliebensdauer).

Schalten Sie den Sender aus.

Nehmen Sie den Flugakku aus dem Flugzeug.

Bewahren Sie den Flugakku separat vom Flugzeug auf, und überwachen Sie die Ladung des Akkus.

## Wartung der Antriebskomponenten

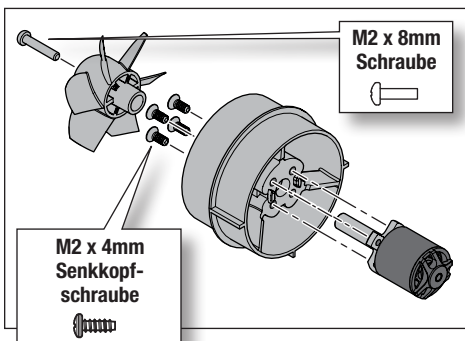
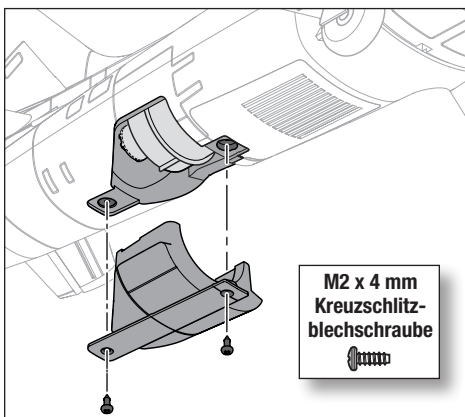
### Zerlegen



**ACHTUNG:** Handhaben Sie den Propeller NICHT, während der Flugakku mit dem Geschwindigkeitsregler verbunden ist. Dies könnte Verletzungen verursachen.

### Motor

1. Entfernen Sie die beiden selbstschneidenden Schrauben M2 x 4 mm mit einem Kreuzschlitzschraubendreher Nr. 0 von der Lüfter- und Motorabdeckung.
2. Ziehen Sie den Stecker des Motorkabels ab.
3. Entfernen Sie den Motor und den Lüfter.
4. Entfernen Sie die M2 x 8mm Schraube vom Lüfter mit einem Kreuzschlitzschraubendreher Nr. 0.
5. Entfernen Sie die vier M2 x 4mm Senkkopfschrauben mit einem Kreuzschlitzschraubendreher Nr. 0.



### Zusammenbau

Alles in umgekehrter Reihenfolge wieder zusammenbauen.

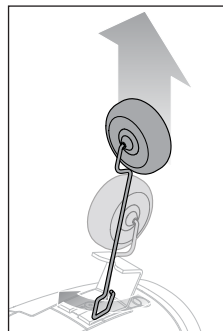
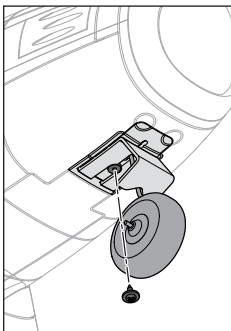
- Sicherstellen, dass der Propelleradapter und die Motorhalterung vollständig mit dem Motor verbunden sind.

## Das Fahrwerk

Das Fahrwerk des Flugzeugs ist ab Werk eingebaut. Gehen Sie wie folgt vor, um das Bug- und Hauptfahrwerk auszubauen.

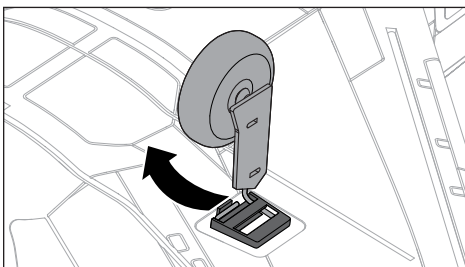
### Ausbauen des Bugfahrwerks

1. Die M1,2 x 4 mm Blechschraube vorsichtig mit einem Kreuzschlitzschraubendreher Nr. 0 entfernen. Die Bugfahrwerksklappe löst sich.
2. Ziehen Sie das Bugfahrwerk vom Rumpf ab und drehen Sie dann das Rad um 90 Grad, um das Kabel aus dem Schlitz zu ziehen.



### Ausbauen des Hauptfahrwerks

3. Verwenden Sie einen kleinen Schlitzschraubendreher, um das Kabel vorsichtig über die Halterung zu schieben.
4. Ziehen Sie das Fahrwerk aus der Halterung.





## Fehlerbehebung AS3X®-System

Problem	Mögliche Ursache	Lösung
Ruder sind nicht neutral wenn Senderkontrollen neutral stehen	Ruder sind im Werk mechanisch nicht zentriert worden	Zentrieren Sie die Ruder mechanisch durch anpassen der U Bögen
	Flugzeug wurde nach dem Anschließen der Akkus bewegt bevor die Sensoren sich initialisiert haben	Trennen Sie den Flugakku und schließen ihn wieder an. Stellen Sie dann sicher dass das Flugzug dann 5 Sekunden absolut still steht
Modell zeigt von einem zum anderen Flug inkonsistentes Flugverhalten	Das Flugzeug stand nach Anschluss des Flugakkus nicht für 5 Sekunden absolut still	Lassen Sie das Flugzeug nach Anschluss des Flugakkus 5 Sekunden still stehen
	Trimmungen wurde zu weit von Neutral gestellt	Neutralisieren Sie die Trimmungen und justieren die Anlenkungen mechanisch um Ruder neutral zu stellen
Ruder flattern/ schwingen während des Fluges. (Modell springt schnell)	Propeller ist nicht gewuchtet und verursacht große Vibrationen	Nehmen Sie den Propeller ab, wuchten oder ersetzen ihn
	Propellerschraube hat sich gelöst und verursacht Vibrationen	Ziehen Sie die Propellerschraube an

## Fehlerbehebung

Problem	Mögliche Ursache	Lösung
Flugzeug nimmt kein Gas an, alle anderen Funktionen arbeiten einwandfrei	Gasstick nicht auf Leerlauf oder Gastrimmung zu hoch	Bringen Sie den Gasstick und die Gastrimmung auf die niedrigste Position
	Gaskanal ist reversiert (umgedreht)	Reversieren (drehen) Sie den Gaskanal am Sender
	Motor ist vom Regler getrennt	Stellen Sie sicher, dass der Motor an den Empfänger angeschlossen ist
Starkes Propellergeräusch oder Vibration	Beschädigter Spinner, Propeller oder Motor	Ersetzen Sie beschädigte Teile
	Propellerschraube hat sich gelöst	Ziehen Sie die Propellerschraube an
	Propeller hat Unwucht	Nehmen Sie den Propeller ab und wuchten ihn oder ersetzen ihn durch gewuchteten Propeller
Reduzierte Flugzeit oder zu wenig Leistung	Flugakku nicht vollständig geladen	Laden Sie den Flugakku
	Propeller falsch herum eingebaut	Montieren Sie den Propeller mit den Nummern nach vorne
	Flugakku beschädigt	Ersetzen Sie den Flugakku und folgen den Anweisungen zum Flugakku
	Flugbedingungen möglicherweise zu kalt	Stellen Sie sicher, dass der Akku nicht ausgekühlt ist
LED am Flugzeug blinkt schnell, Flugzeug läßt sich nicht an den Sender binden	Akkukapazität zu gering für die Flugbedingungen	Ersetzen Sie den Akku oder nutzen Sie einen Akku mit größerer Kapazität
	Sender steht während des Bindens zu nah am Empfänger	Schalten Sie den Sender aus und stellen Sie den Sender etwas weiter vom Empfänger weg. Trennen Sie den Flugakku und schließen ihn erneut an. Folgen Sie den Bindenanweisungen
	Bindestecker oder Knopf wurde nicht während des Bindens gehalten	Schalten Sie den Sender aus und folgen den Bindeanweisungen. Halten Sie den Senderbindebutton gedrückt bis die Bindung durchgeführt wurde
	Sender oder Luftfahrzeug zu nah an großen metallischen Objekten, Funkquellen oder anderen Sendern	Bringen Sie das Luftfahrzeug und an einen anderen Ort und binden erneut



## Fehlerbehebung

Problem	Mögliche Ursache	Lösung
LED auf dem Empfänger blinkt schnell, Flugzeug reagiert nicht auf den Sender (nach dem Binden)	Sie haben weniger als 5 Sekunden nach dem Einschalten des Senders den Flugakku angeschlossen	Lassen Sie den Sender eingeschaltet, trennen Sie den Flugakku und verbinden ihn wieder
	Flugzeug ist an einen anderen Speicherplatz gebunden (nur Sender mit ModelMatch)	Wählen Sie das richtige Modell im Modell-speicher, trennen und verbinden den Flugakku erneut
	Zu geringe Ladung des Flug- oder Senderakkus	Ersetzen Sie die Batterien, laden Sie die Akkus
	Sender ist an ein anderes Modell gebunden (oder mit anderem DSM Protokoll)	Wählen Sie den richtigen Sender oder binden den neuen Sender
	Sender oder Luftfahrzeug zu nah an großen metallischen Objekten, Funkquellen oder anderen Sendern	Bringen Sie das Luftfahrzeug und an einen anderen Ort und versuchen dort eine neue Verbindung
Ruder bewegen sich nicht	Schaden am Ruder, Ruderhorn, Gestänge oder Servo	Ersetzen oder reparieren Sie die beschädigten Teile und stellen die Kontrollen ein
	Kabel beschädigt/Steckerverbindung lose	Überprüfen Sie Kabel und Stecker, verbinden oder ersetzen Sie falls notwendig
	Flugakku zu gering geladen	Laden Sie den Flugakku vollständig
	Gestänge kann sich nicht frei bewegen	Stellen Sie sicher, dass das Gestänge frei läuft
Kontrollen reversiert	Einstellungen am Sender falsch	Führen Sie einen Kontroll Richtungstest durch und stellen den Sender richtig ein. (Siehe dazu Sender und Modelleinstellungen)
Motor verliert Leistung	Einstellungen am Sender falsch	Prüfen Sie Motor und Antriebskomponenten auf Beschädigung ( Ersetzen Sie falls notwendig)
Motor pulsiert und verliert danach Leistung	Niederspannungsabschaltung (LVC) aktiv da Akkukapazität erschöpft	Laden Sie den Flugakku oder ersetzen Sie ihn wenn er keine Leistung mehr hat
Motor/Regler ist nach der Landung nicht armiert	Überspannungsschutz (OCP) ist aktiv und hat den Motor gestoppt bei Gashebel auf Hoch Position	Bringen Sie den Gashebel und Trimmung auf Leerlaufposition
Servo blockiert bei vollem Ruderweg	Servowegeinstellung (Travel Adjust) ist über 100% gewählt und dreht Servo über	Stellen Sie Servowegeinstellung auf 100% oder weniger und/oder Subtrimmungen auf Null und justieren das Gestänge manuell

## Ersatzteile

Teile-Nr.	Beschreibung
EFLU7051	Lackierter Rumpf: UMX F-86 Sabre
EFLU7052	Leitwerksatz: UMX F-86 Sabre
EFLU7053	Steuerhornsatz: UMX F-86 Sabre
EFLU7054	Fahrwerksatz: UMX F-86 Sabre
EFLU7055	Verdeck/Akku-Abdeckung: UMX F-86 Sabre
EFLU7056	Abziehbilderbogen: UMX F-86 Sabre
EFLU7057	Gestängesatz: UMX F-86 Sabre
EFLU7058	Lüftersatz 30 x 20,5 mm
EFLU7059	Lüfterrad 30 x 82mm
EFLU7060	Lüfterabdeckung: UMX F-86 Sabre
EFLU7061	Erweiterungssatz: UMX F-86 Sabre
SPMA3191	Empfänger-/Geschwindigkeitsregler- Einheit: UMX F-86 Sabre
SPMSA201	A201 2,3 g linear angeordneter Leistungs-Servo
SPMXAM3200	Bürstenloser Motor: 1010-8300Kv

## Haftungsbeschränkung

**Warnung**—Ein ferngesteuertes Modell ist kein Spielzeug. Es kann, wenn es falsch eingesetzt wird, zu erheblichen Verletzungen bei Lebewesen und Beschädigungen an Sachgütern führen. Betreiben Sie Ihr RC-Modell nur auf freien Plätzen und beachten Sie alle Hinweise der Bedienungsanleitung des Modells wie auch der Fernsteuerung.

**Garantiezeitraum**—Exklusive Garantie Horizon Hobby LLC (Horizon) garantiert, dass das gekaufte Produkt frei von Material- und Montagefehlern ist. Der Garantiezeitraum entspricht den gesetzlichen Bestimmungen des Landes, in dem das Produkt erworben wurde. In Deutschland beträgt der Garantiezeitraum 6 Monate und der Gewährleistungszeitraum 18 Monate nach dem Garantiezeitraum.

**Einschränkungen der Garantie**—(a) Die Garantie wird nur dem Erstkäufer (Käufer) gewährt und kann nicht übertragen werden. Der Anspruch des Käufers besteht in der Reparatur oder dem Tausch im Rahmen dieser Garantie. Die Garantie erstreckt sich ausschließlich auf Produkte, die bei einem autorisierten Horizon Händler erworben wurden. Verkäufe an dritte werden von dieser Garantie nicht gedeckt. Garantiesprüche werden nur angenommen, wenn ein gültiger Kaufnachweis erbracht wird. Horizon behält sich das Recht vor, diese Garantiebestimmungen ohne Ankündigung zu ändern oder modifizieren und widerruft dann bestehende Garantiebestimmungen.

(b) Horizon übernimmt keine Garantie für die Verkaufbarkeit des Produktes, die Fähigkeiten und die Fitness des Verbrauchers für einen bestimmten Einsatzzweck des Produktes. Der Käufer allein ist dafür verantwortlich, zu prüfen, ob das Produkt seinen Fähigkeiten und dem vorgesehenen Einsatzzweck entspricht.

(c) Ansprüche des Käufers – Es liegt ausschließlich im

## Empfohlene Bauteile

Teile-Nr.	Beschreibung
SPMR7100	Nur NX7-Sender mit 7 Kanälen
SPMX4504SIC2	14,8 V 450 mAh 4S 30C LiPo-Akku: IC2
SPMXC209	S100 G2 USB-C Smart-Ladegerät
SPMXCA320	Adapter: IC3-Akku / IC2-Gerät

## Optionale Bauteile und Zubehörteile

Teile-Nr.	Beschreibung
SPMR8200	Nur NX8 8-Kanal-DSMX-Sender
SPMR10100	Nur NX10 10-Kanal-DSMX-Sender
SPMXC2060	S250 AC 2x50W Smart-Ladegerät
SPMXC2080	S1100 G2 1x100W AC Smart-Ladegerät

Erkennen von Horizon, ob das Produkt, bei dem ein Garantiefall festgestellt wurde, repariert oder ausgetauscht wird. Dies sind die exklusiven Ansprüche des Käufers, wenn ein Defekt festgestellt wird.

Horizon behält sich vor, alle eingesetzten Komponenten zu prüfen, die in den Garantiefall einbezogen werden können. Die Entscheidung zur Reparatur oder zum Austausch liegt nur bei Horizon. Die Garantie schließt kosmetische Defekte oder Defekte, hervorgerufen durch höhere Gewalt, falsche Behandlung des Produktes, falscher Einsatz des Produktes, kommerziellen Einsatz oder Modifikationen irgendwelcher Art aus.

Die Garantie schließt Schäden, die durch falschen Einbau, falsche Handhabung, Unfälle, Betrieb, Service oder Reparaturversuche, die nicht von Horizon ausgeführt wurden aus.

Ausgeschlossen sind auch Fälle die bedingt durch (vii) eine Nutzung sind, die gegen geltendes Recht, Gesetze oder Regularien verstoßen haben. Rücksendungen durch den Käufer direkt an Horizon oder eine seiner Landesvertretungen bedürfen der Schriftform.

**Schadensbeschränkung**—Horizon ist nicht für direkte oder indirekte Folgeschäden, Einkommensausfälle oder kommerzielle Verluste, die in irgendeinem Zusammenhang mit dem Produkt stehen verantwortlich, unabhängig ab ein Anspruch im Zusammenhang mit einem Vertrag, der Garantie oder der Gewährleistung erhoben werden. Horizon wird darüber hinaus keine Ansprüche aus einem Garantiefall akzeptieren, die über den individuellen Wert des Produktes hinaus gehen. Horizon hat keinen Einfluss auf den Einbau, die Verwendung oder die Wartung des Produktes oder etwaiger Produktkombinationen, die vom Käufer gewählt werden. Horizon übernimmt keine Garantie und akzeptiert keine Ansprüche für in der folge

auftretende Verletzungen oder Beschädigungen. Mit der Verwendung und dem Einbau des Produktes akzeptiert der Käufer alle aufgeführten Garantiebestimmungen ohne Einschränkungen und Vorbehalte.

Wenn Sie als Käufer nicht bereit sind, diese Bestimmungen im Zusammenhang mit der Benutzung des Produktes zu akzeptieren, werden Sie gebeten, dass Produkt in unbenutztem Zustand in der Originalverpackung vollständig bei dem Verkäufer zurückzugeben.

**Sicherheitshinweise**—Dieses ist ein hochwertiges Hobby Produkt und kein Spielzeug. Es muss mit Vorsicht und Umsicht eingesetzt werden und erfordert einige mechanische wie auch mentale Fähigkeiten. Ein Versagen, das Produkt sicher und umsichtig zu betreiben kann zu Verletzungen von Lebewesen und Sachbeschädigungen erheblichen Ausmaßes führen. Dieses Produkt ist nicht für den Gebrauch durch Kinder ohne die Aufsicht eines Erziehungsberechtigten vorgesehen. Die Anleitung enthält Sicherheitshinweise und Vorschriften sowie Hinweise für die Wartung und den Betrieb des Produktes. Es ist unabdingbar, diese Hinweise vor der ersten Inbetriebnahme zu lesen und zu verstehen. Nur so kann der falsche Umgang verhindert und Unfälle mit Verletzungen und Beschädigungen vermieden werden.

**Fragen, Hilfe und Reparaturen**—Ihr lokaler Fachhändler und die Verkaufsstelle können eine Garantiebeurteilung ohne Rücksprache mit Horizon nicht durchführen. Dies gilt auch für Garantiereparaturen. Deshalb kontaktieren Sie in einem solchen Fall den Händler, der sich mit Horizon kurz schließen wird, um eine sachgerechte Entscheidung zu fällen, die Ihnen schnellst möglich hilft.

**Wartung und Reparatur**—Muss Ihr Produkt gewartet oder repariert werden, wenden Sie sich entweder an Ihren Fachhändler oder direkt an Horizon.

Rücksendungen / Reparaturen werden nur mit einer von Horizon vergebenen RMA Nummer bearbeitet. Diese Nummer erhalten Sie oder ihr Fachhändler vom

technischen Service. Mehr Informationen dazu erhalten Sie im Serviceportal unter [www.Horizonhobby.de](http://www.Horizonhobby.de) oder telefonisch bei dem technischen Service von Horizon.

Packen Sie das Produkt sorgfältig ein. Beachten Sie, dass der Originalkarton in der Regel nicht ausreicht, um beim Versand nicht beschädigt zu werden. Verwenden Sie einen Paketdienstleister mit einer Tracking Funktion und Versicherung, da Horizon bis zur Annahme keine Verantwortung für den Versand des Produktes übernimmt. Bitte legen Sie dem Produkt einen Kaufbeleg bei, sowie eine ausführliche Fehlerbeschreibung und eine Liste aller eingesendeten Einzelkomponenten. Weiterhin benötigen wir die vollständige Adresse, eine Telefonnummer für Rückfragen, sowie eine Email Adresse.

**Garantie und Reparaturen**—Garantieanfragen werden nur bearbeitet, wenn ein Originalkaufbeleg von einem autorisierten Fachhändler beiliegt, aus dem der Käufer und das Kaufdatum hervorgeht. Sollte sich ein Garantiefall bestätigen wird das Produkt repariert oder ersetzt. Diese Entscheidung obliegt einzig Horizon Hobby.

**Kostenpflichtige Reparaturen**—Liegt eine kostenpflichtige Reparatur vor, erstellen wir einen Kostenvorschlag, den wir Ihrem Händler übermitteln. Die Reparatur wird erst vorgenommen, wenn wir die Freigabe des Händlers erhalten. Der Preis für die Reparatur ist bei Ihrem Händler zu entrichten. Bei kostenpflichtigen Reparaturen werden mindestens 30 Minuten Werkstattzeit und die Rückversandkosten in Rechnung gestellt. Sollten wir nach 90 Tagen keine Einverständniserklärung zur Reparatur vorliegen haben, behalten wir uns vor, das Produkt zu vernichten oder anderweitig zu verwerten.

**ACHTUNG:** Kostenpflichtige Reparaturen nehmen wir nur für Elektronik und Motoren vor. Mechanische Reparaturen, besonders bei Hubschraubern und RC-Cars sind extrem aufwendig und müssen deshalb vom Käufer selbst vorgenommen werden.

10/15

## Garantie und Service Kontaktinformationen

Land des Kauf	Horizon Hobby	Telefon/E-mail Adresse	Adresse
Europäische Union	Horizon Technischer Service Sales: Horizon Hobby GmbH	<a href="mailto:service@horizonhobby.de">service@horizonhobby.de</a> +49 (0) 4121 2655 100	Hanskampring 9 D 22885 Barsbüttel, Germany

## Konformitätshinweise für die Europäische Union

**CE** **EU Konformitätserklärung**  
**EFL UMX F-86 Sabre 30mm EDF BNF Basic (EFLU7050):** Horizon LLC erklärt hiermit, dass dieses Produkt konform zu den essentiellen Anforderungen der RED Direktive ist, RoHS 2-Richtlinie 2011/65 / EU, RoHS 3-Richtlinie - Änderung 2011/65 / EU-Anhang II 2015/863. Der vollständige Text der EU-Konformitätserklärung ist unter folgender Internetadresse abrufbar: <https://www.horizonhobby.com/content/supportrender-compliance>.

**Wireless-Frequenzbereich und Wireless-Ausgangsleistung:**

**Empfänger:**  
2402–2478 MHz  
1.43dBm

**Eingetragener EU-Hersteller:**

Horizon Hobby, LLC  
2904 Research Road  
Champaign, IL 61822 USA

**Eingetragener EU-Importeur:**

Horizon Hobby, GmbH  
Hanskampring 9  
22885 Barsbüttel Germany

**WEEE-HINWEIS:**



Dieses Gerät ist gemäß der Europäischen Richtlinie 2012/19/EU über Elektro- und Elektronik-Altgeräte (WEEE) gekennzeichnet. Dieses Symbol weist darauf hin, dass dieses Produkt kein normaler Haushaltsabfall ist, sondern in einer entsprechenden Sammelstelle für Elektro- und Elektronik-Altgeräte entsorgt werden muss.

## REMARQUE

La totalité des instructions, garanties et autres documents est sujette à modification à la seule discrétion d'Horizon Hobby, LLC. Pour obtenir la documentation à jour de ce produit, veuillez consulter le site [www.horizonhobby.com](http://www.horizonhobby.com) ou [towerhobbies.com](http://towerhobbies.com) et cliquez sur l'onglet de support du produit.

## SIGNIFICATION DE CERTAINS TERMES SPÉCIFIQUES

Les termes suivants sont utilisés dans l'ensemble du manuel pour indiquer différents niveaux de danger lors de l'utilisation de ce produit:

**AVERTISSEMENT** : Procédures qui, si elles ne sont pas suivies correctement, peuvent entraîner des dégâts matériels, des dommages collatéraux et des blessures graves OU engendrer une probabilité élevée de blessure superficielle.

**ATTENTION** : Procédures qui, si elles ne sont pas suivies correctement, peuvent entraîner des dégâts matériels ET des blessures graves.

**REMARQUE** : Procédures qui, si elles ne sont pas suivies correctement, peuvent entraîner des dégâts matériels ET potentiellement un risque faible de blessures.



**AVERTISSEMENT** : Lisez la TOTALITE du manuel d'utilisation afin de vous familiariser avec les caractéristiques du produit avant de le faire fonctionner. Une utilisation incorrecte du produit peut entraîner l'endommagement du produit lui-même, ainsi que des risques de dégâts matériels, voire de blessures graves.

Ceci est un produit de loisirs perfectionné. Il doit être manipulé avec prudence et bon sens et requiert quelques aptitudes de base en mécanique. Toute utilisation de ce produit ne respectant pas les principes de sécurité et de responsabilité peut entraîner des dégâts matériels, endommager le produit et provoquer des blessures. Ce produit n'est pas destiné à être utilisé par des enfants sans la surveillance directe d'un adulte. N'essayez pas de démonter le produit, de l'utiliser avec des composants incompatibles ou d'en améliorer les performances sans l'accord d'Horizon Hobby, LLC. Ce manuel comporte des instructions relatives à la sécurité, au fonctionnement et à l'entretien. Il est capital de lire et de respecter toutes les instructions et avertissements du manuel avant l'assemblage, le réglage ou l'utilisation afin de le manipuler correctement et d'éviter les dommages ou les blessures graves.

**14 ans et plus. Ceci n'est pas un jouet.**

## Précautions et avertissements liés à la sécurité

En tant qu'utilisateur de ce produit, il est de votre seule responsabilité de le faire fonctionner d'une manière qui ne mette en danger ni votre personne, ni de tiers et qui ne provoque pas de dommages au produit lui-même ou à la propriété d'autrui.

- Gardez une bonne distance de sécurité tout autour de votre modèle, afin d'éviter les collisions ou les blessures. Ce modèle est contrôlé par un signal radio, qui peut être soumis à des interférences provenant de nombreuses sources hors de votre contrôle. Une interférence peut provoquer une perte momentanée de contrôle.
- Faites toujours fonctionner votre modèle dans une zone dégagée, à l'écart de voitures, du trafic et des personnes.
- Respectez toujours scrupuleusement les instructions et les mises en garde concernant ce produit et tous les équipements optionnels/complémentaires (chargeurs, batteries rechargeables, etc.) que vous utilisez.
- Tenez tous les produits chimiques, les petites pièces et les composants électroniques hors de portée des enfants.
- Évitez toujours d'exposer à l'eau tout équipement non spécifiquement conçu et protégé à cet effet. L'humidité endommage les composants électroniques.
- Ne léchez et ne mettez jamais en bouche quelque partie de votre modèle que ce soit - risque de blessures graves voire danger de mort.
- Ne faites jamais fonctionner votre modèle lorsque les batteries de l'émetteur sont faibles.
- Gardez toujours le modèle à vue et gardez-en toujours le contrôle.
- Utilisez toujours des batteries complètement chargées.
- Gardez toujours l'émetteur sous tension lorsque le modèle est en marche.
- Enlevez toujours les batteries avant le démontage.
- Veillez toujours à ce que les pièces en mouvement soient propres.
- Veillez toujours à ce que toutes les pièces soient sèches.
- Laissez toujours le temps aux pièces de refroidir avant de les toucher.
- Enlevez toujours les batteries après utilisation.
- Assurez-vous toujours que la sécurité (failsafe) est configurée correctement avant de voler.
- Ne faites jamais voler un modèle dont le câblage est endommagé.
- Ne touchez jamais des pièces en mouvement.



**AVERTISSEMENT CONTRE LES PRODUITS CONTREFAITS** : Si un jour vous aviez besoin de remplacer un récepteur Spektrum équipant un produit Horizon Hobby, achetez-le uniquement chez Horizon Hobby, LLC ou chez un revendeur officiel Horizon Hobby, vous serez sûr d'obtenir un produit Spektrum authentique de haute qualité. Horizon Hobby, LLC décline tout service et garantie concernant la compatibilité et les performances des produits contrefaits ou des produits clamant la compatibilité avec la technologie Spektrum ou le DSM.

## Enregistrement

Enregistrez votre produit aujourd'hui pour faire partie de notre liste de diffusion et recevoir les dernières mises à jour concernant les produits, offres et informations sur E-flite.



Spécifications	
<b>Envergure d'aile</b>	443mm (17.44")
<b>Longueur</b>	466mm (18.3")
<b>Poids</b>	Sans batterie : 167g (5.9 oz) Avec la batterie recommandée 4S 450 mAh : 218g (7.7 oz)

Équipement inclus	
<b>Récepteur/ESC</b>	Récepteur Spektrum/variableur ESC (SPMA3191)
<b>Moteur</b>	Moteur sans balais : 1010-8300Kv (SPMXAM3200)
<b>Servo</b>	Servo linéaire longue portée 2,3 g Spektrum A201 (SPMSA201)

Équipement recommandé	
<b>Émetteur</b>	5+ canaux 2,4 GHz pleine portée avec technologie Spektrum DSM2/DSMX
<b>Batterie</b>	Batterie Spektrum LiPo 450 mAh 4 S 14,8 V 30 C : IC2 (SPMX4504SIC2)
<b>Chargeur de batterie</b>	Chargeur Smart USB-C S100 G2 (SPMXC2090)

Table des matières			
Coupage par tension faible (LVC) .....	34	Vérifications à effectuer après le vol.....	40
Configuration de l'émetteur .....	34-35	Maintenance de la motorisation .....	41
Affectation de l'émetteur au récepteur .....	36	Le train d'atterrissage.....	41
Télémetrie intégrée.....	36	Guide de dépannage du système AS3X .....	42
Technologie SAFE® Select.....	37	Guide de dépannage .....	42-43
Armement du variateur ESC/récepteur et installation de la batterie.....	38	Pièces de rechange .....	44
Centre de Gravité (CG) .....	38	Pièces recommandées.....	44
Test de direction des commandes.....	39	Pièces optionnelles et accessoires.....	44
Centrage des commandes .....	39	Garantie et réparations .....	44-45
Positions par défaut des tringleries .....	39	Informations de contact pour garantie et réparation .....	45
Conseils de vol et réparations .....	40	Informations IC .....	45
Lancement manuel .....	40	Informations de conformité pour l'Union européenne .....	45

## Conseils généraux pour l'affectation et sécurité intégrée BNF

- Le récepteur inclus a été spécifiquement programmé pour être utilisé avec cet appareil. Reportez-vous au manuel du récepteur pour la configuration appropriée en cas de remplacement de celui-ci.
- Éloignez-vous des larges objets métalliques lors de l'affectation.
- Ne pointez pas l'antenne de l'émetteur directement en direction du récepteur lors de l'affectation.
- Le témoin orange sur le récepteur clignote rapidement lorsque le récepteur passe en mode d'affectation.
- Une fois affecté, le récepteur conservera ses réglages d'affectation pour cet émetteur jusqu'à ce que vous effectuiez une nouvelle affectation.
- En cas de perte de communication entre le récepteur et l'émetteur, le mode sécurité intégrée est activé. La sécurité intégrée fait passer le canal des gaz à la position de faible ouverture des gaz. Les canaux de tangage et de roulis se déplacent pour stabiliser l'appareil dans une position de descente.
- En cas de problème, consultez le guide de dépannage ou, si besoin, contactez le service après-vente d'Horizon adéquat.

## Coupeure par tension faible (LVC)

Une batterie Li-Po déchargée en-deçà de 3V ne supportera aucune charge par la suite. Le CEV (ESC) de l'aéronef protège la batterie de vol contre une décharge trop profonde grâce au système de coupeure par tension faible (LVC).

Lorsque la batterie est déchargée jusque 3V par cellule, la coupeure par tension faible (LVC) réduit la puissance du moteur au profit du récepteur et des servos pour qu'ils puissent supporter un atterrissage.

Quand la puissance du moteur décroît, faites atterrir l'aéronef immédiatement et remplacez ou rechargez la batterie de vol.

Toujours débrancher et retirer la batterie Li-Po de l'avion après chaque vol. Chargez la batterie à environ la moitié de sa capacité avant de la stocker. Contrôlez que la tension de chaque élément de la batterie ne descend pas en dessous de 3V. Si vous ne débranchez pas la batterie, elle se déchargera de façon trop importante.

Pour les premiers vols réglez la minuterie de votre montre ou émetteur sur 4 minutes. Ajustez la durée des vols une fois que vous aurez fait voler le modèle.

**REMARQUE :** Une activation répétitive de la coupeure par tension faible (LVC) endommage la batterie.

## Configuration de l'émetteur

Si votre émetteur le permet, activez la fonction de Throttle Cut (Arrêt du moteur). Activez toujours le Throttle Cut (Arrêt du moteur) avant d'approcher l'appareil.

### Doublets débâtements

Un petit débâtement est recommandé pour les vols initiaux.

**REMARQUE :** Pour vous assurer que la technologie AS3X fonctionne correctement, ne diminuez pas les valeurs de débâtement en dessous de 50 %.

**REMARQUE :** Si vous constatez une oscillation à grande vitesse, consultez le guide de dépannage pour obtenir de plus amples informations.

### Exponentiel

Après vos vols initiaux, vous pouvez ajuster la valeur d'expo pour mieux correspondre à votre style de vol.

#### Alarmes de télémétrie

Variateur Smart ESC : 12 pôles	
Rx V / Min. Rx V	4.2V
ESC Smart / Alarme de tension faible	3.4V
Batterie Smart / Volts de démarrage minimum	4.0V

## Configuration d'un émetteur de la série NX

1. Mettez l'émetteur en marche, cliquez sur la molette, allez à **System Setup (Configuration du système)** et cliquez sur la molette. Sélectionnez **YES (OUI)**.
2. Allez à **Model Select (Sélectionner un modèle)** et choisissez **Add New Model (Ajouter un nouveau modèle)** au bas de la liste. Sélectionnez **Airplane Model Type (Type de modèle d'avion)** en choisissant l'image de l'avion, sélectionnez **Create (Créer)**.
3. Paramétrez le **Model Name (Nom du modèle)** : entrez un nom pour votre fichier de modèle.
4. Allez à **Aircraft Type (Type d'appareil)** et faites défiler jusqu'à la sélection de l'aile, sélectionnez **Wing (Aile) : 1 Normal Tail (Queue) : Normal**
5. Sélectionnez **Main Screen (Écran principal)**, cliquez sur la molette pour entrer dans la **Function List (Liste des fonctions)**.
6. Rendez-vous dans le menu **D/R (Dual Rate) and Expo (Double débâtement et expo)** pour paramétrer le double débâtement et l'expo.
7. Paramétrez **Rates and Expo (Débâtements et expo) : Aileron**  
Paramétrez **Switch (Commuteur) : Switch F (Commuteur F)**  
Paramétrez **High Rates (Grands débâtements) : 100 %, Expo 10 % – Low Rates (Faibles débâtements) : 70 %, Expo 5 %**
8. Paramétrez **Rates and Expo (Débâtements et expo) : Elevator (Gouverne de profondeur)**  
Paramétrez **Switch (Commuteur) : Switch C (Commuteur C)**  
**High Rates (Grands débâtements) : 100 %, Expo 10 % – Low Rates (Faibles débâtements) 70 %, Expo 5 %**
9. Paramétrez **Dual Rates and Expo (Doubles débâtements et expo) : Rudder (Gouverne de direction)**  
Paramétrez **Switch (Commuteur) : Switch G (Commuteur G)**  
**High Rates (Grands débâtements) : 100%, Expo 10% – Low Rates (Faibles débâtements): 70%, Expo 5%**
10. Paramétrez **Throttle Cut (Coupeure des gaz) ; Switch (Commuteur) : Switch H (Commuteur H), Position : -100 %**

## Configuration de l'émetteur

### Configuration d'un émetteur de la série DX

1. Mettez l'émetteur en marche, cliquez sur la molette, allez à **System Setup (Configuration du système)** et cliquez sur la molette. Sélectionnez **YES (OUI)**.
2. Allez à **Model Select** (Sélectionner un modèle) et choisissez **Add New Model (Ajouter un nouveau modèle)** au bas de la liste. Le système demande si vous souhaitez créer un nouveau modèle, sélectionnez **Create (Créer)**.
3. Paramétrez le **Model Type (Type de modèle)** : Sélectionnez le **Airplane Model Type (Type de modèle d'avion)** en choisissant l'avion. Le système vous demande de confirmer le type de modèle, les données seront réinitialisées. Sélectionnez **YES (OUI)**.
4. Paramétrez le **Model Name (Nom du modèle)** : entrez un nom pour votre fichier de modèle.
5. Allez à **Aircraft Type (Type d'appareil)** et faites défiler jusqu'à la sélection de l'aile, sélectionnez **Wing (Aile) : 1 Normal Tail (Queue) : Normal**
6. Sélectionnez **Main Screen (Écran principal)**, cliquez sur la molette pour entrer dans la **Function List (Liste des fonctions)**.
7. Paramétrez **D/R (Dual Rate) and Expo (Double débattement et expo) : Aileron**  
Paramétrez **Switch (Commutateur) : Switch F (Commutateur F)**  
Paramétrez **High Rates (Grands débattements) :**  
**100 %, Expo 10 % – Low Rates (Faibles débattements) : 70 %, Expo 5 %**
8. Paramétrez **D/R (Dual Rate) and Expo (Double débattement et expo) : Elevator (Gouverne de profondeur)**  
Paramétrez **Switch (Commutateur) : Switch C (Commutateur C)**  
**High Rates (Grands débattements) : 100 %, Expo 10 % – Low Rates (Faibles débattements) 70 %, Expo 5 %**
9. Paramétrez **Dual Rates and Expo (Doubles débattements et expo) : Rudder (Gouverne de direction)**  
Paramétrez **Switch (Commutateur) : Switch G (Commutateur G)**  
**High Rates (Grands débattements) : 100%, Expo 10% – Low Rates (Faibles débattements): 70%, Expo 5%**
10. Paramétrez **Throttle Cut (Coupure des gaz) ; Switch (Commutateur) : Switch H (Commutateur H), Position : -100 %**

### Configuration d'un émetteur de la série iX

1. Mettez l'émetteur en marche et commencez dès que l'application Spektrum Airware est ouverte. Sélectionnez l'icône du crayon orange dans le coin supérieur gauche de l'écran, le système demande l'autorisation de **Turn Off RF (Désactiver la RF)**, sélectionnez **PROCEED (POUR SUIVRE)**.
2. Sélectionnez les trois points en haut à droite de l'écran, sélectionnez **Add a New Model (Ajouter un nouveau modèle)**.
3. Sélectionnez **Model Option (Option de modèle)**, choisissez **DEFAULT (PAR DÉFAUT)**, sélectionnez **Airplane (Avion)**. Le système demande si vous souhaitez créer un nouveau modèle acro, sélectionnez **Create (Créer)**.
4. Sélectionnez le dernier modèle sur la liste, appelé **Acro**. Tapez sur Acro et renommez le fichier avec un nom de votre choix.
5. Maintenez enfoncée la flèche retour dans le coin supérieur gauche de l'écran pour revenir à l'écran principal.
6. Accédez au menu **Model Setup (Configuration du modèle)**. Sélectionnez **Aircraft Type (Type d'appareil)**. Le système demande l'autorisation de **Turn Off RF (Désactiver la RF)**, sélectionnez **PROCEED (POUR SUIVRE)**. Touchez l'écran pour sélectionner l'aile. Sélectionnez **Normal**.
7. Maintenez enfoncée la flèche retour dans le coin supérieur gauche de l'écran pour revenir à l'écran principal.
8. Accédez au menu **Model Adjust (Ajustement du modèle)**.
9. Paramétrez **Dual Rates and Expo (Doubles débattements et expo) : Sélectionnez Aileron**  
Paramétrez **Switch (Commutateur) : Switch F (Commutateur F)**  
Paramétrez **High Rates (Grands débattements) :**  
**100 %, Expo 10 % – Low Rates (Faibles débattements) : 70 %, Expo 5 %**
10. Paramétrez **Dual Rates and Expo (Doubles débattements et expo) :**  
Sélectionnez **Elevator (Gouverne de profondeur)**  
Paramétrez **Switch (Commutateur) : Switch C (Commutateur C)**  
**High Rates (Grands débattements) : 100 %, Expo 10 % – Low Rates (Faibles débattements) : 70 %, Expo 5 %**
11. Paramétrez **Dual Rates and Expo (Doubles débattements et expo) : Rudder (Gouverne de direction)**  
Paramétrez **Switch (Commutateur) : Switch G (Commutateur G)**  
**High Rates (Grands débattements) : 100%, Expo 10% – Low Rates (Faibles débattements): 70%, Expo 5%**
12. Paramétrez **Throttle Cut (Coupure des gaz) ; Switch (Commutateur) :**  
**Switch H (Commutateur H), Position : -100 %**



## Affectation de l'émetteur au récepteur

L'affectation est le processus qui programme le récepteur pour qu'il reconnaisse le code (appelé GUID- Globally Unique Identifier) d'un émetteur spécifique. Vous devez « affecter » l'émetteur Spektrum pour avions à technologie DSM2/DSMX de votre choix au récepteur afin d'assurer un fonctionnement correct.

Tous les émetteurs Spektrum DSM2/DSMX sont compatibles avec le récepteur.

### Procédure d'affectation

1. Lisez les instructions de l'émetteur pour l'affecter à un récepteur (emplacement de la commande d'affectation de l'émetteur).
2. Vérifiez que la batterie est déconnectée de l'avion.
3. Éteignez l'émetteur.
4. Placez l'appareil sur une surface plane à l'abri du vent.
5. Connectez la batterie à l'avion. La DEL du récepteur commence à clignoter (en général après 5 secondes).
6. Vérifiez que les commandes de l'émetteur sont en position neutre et que les gaz sont en position basse.
7. Mettez votre émetteur en mode bind (affectation). Référez vous à la notice de votre émetteur pour effectuer ce processus.
8. Au bout de 5 à 10 secondes, le voyant d'état de l'émetteur reste allumé, ce qui indique que le récepteur est affecté à l'émetteur. Si la DEL ne s'allume pas, reportez-vous au Guide de dépannage figurant à la fin du manuel.

Pour les vols suivants, allumez l'émetteur pendant 5 secondes avant de connecter la batterie de vol.

## Télémetrie intégrée

Cet avion est doté de la télémetrie entre le variateur ESC et le récepteur, qui permet de fournir des informations, notamment : régime, tension, courant moteur, paramètres de gaz (%), température du FET (régulateur de vitesse) et température du BEC (alimentation servo).

### Pour afficher la télémetrie

1. Commencez avec l'émetteur affecté au récepteur.
2. Allumez l'émetteur.
3. Mettez l'avion en marche.

4. Une barre de signal s'affiche dans le coin supérieur gauche de l'écran lorsque les informations de télémetrie sont reçues.

5. Faites défiler au-delà du moniteur de servo pour afficher les écrans techniques.

Pour plus d'informations sur les émetteurs compatibles, les mises à jour du micrologiciel et l'utilisation de la technologie téléométrique sur votre émetteur, consultez [www.SpektrumRC.com](http://www.SpektrumRC.com).



## Technologie SAFE® Select

L'UMX F-86 Sabre possède deux modes de vol contrôlés par le canal 5 : SAFE et AS3X. Le commutateur A est la valeur par défaut du Spektrum pour le canal 5. La position 0 est SAFE, la position 1 est AS3X uniquement.

Lors d'un vol en mode SAFE, l'appareil retourne au mode de vol en palier dès que les commandes de profondeur et de gauchissement sont en position neutre. L'utilisation des commandes d'aileron ou de gouverne de profondeur fera s'incliner, grimper ou plonger l'appareil. La quantité de déplacement du manche déterminera l'attitude de vol de l'appareil. Le maintien de la commande généralisée propulse l'appareil vers les limites d'inclinaison et de roulis prédéfinies, mais sans dépasser ces angles.

Lors d'un vol en mode SAFE Select, il est normal de maintenir le manche de commande en déviation avec une

saisie modérée d'aileron en volant à travers un virage. Pour assurer un vol fluide en mode SAFE, évitez les changements de contrôle fréquents et n'essayez pas de corriger les déviations mineures. Le maintien de saisies de commande délibérées commandera à l'appareil de voler à un angle spécifique et le modèle effectuera toutes les corrections nécessaires pour maintenir cette attitude de vol.

Remettez les commandes de profondeur et de gauchissement en position neutre avant de basculer du mode SAFE au mode AS3X. Si vous ne neutralisez pas les commandes au moment du passage au mode AS3X, les saisies de commande utilisées pour le mode SAFE seront excessives pour le mode AS3X et l'appareil réagira immédiatement.

### Différences entre les modes SAFE et AS3X

Cette section est généralement précise, mais ne tient pas compte de la vitesse de vol, de l'état de charge de la batterie et d'autres facteurs limitatifs.

		SAFE Select	AS3X
Saisie de commande	Le manche de commande est neutralisé	L'avion se met automatiquement à niveau	L'avion conserve la même attitude de vol
	Maintien d'une petite quantité de contrôle	L'appareil s'incline ou tangue à un angle modéré et conserve la même attitude de vol	L'appareil continue de tanguer ou de rouler lentement
	Maintien de la commande généralisée	L'appareil s'incline ou tangue selon les limites prédéfinies et conserve la même attitude de vol	L'appareil continue de tanguer ou de rouler rapidement

### Désactivation et activation de SAFE Select

Par défaut, la fonction SAFE Select de votre appareil UMX est activée et attribuée au commutateur du canal Gear (canal 5). Si vous ne souhaitez pas avoir accès à SAFE Select lors du vol, vous pouvez choisir de désactiver la fonctionnalité SAFE Select. AS3X sera encore actif lorsque SAFE Select est désactivé.

**IMPORTANT :** Avant d'essayer de désactiver ou activer SAFE Select, assurez-vous que les canaux d'aileron, de gouverne de profondeur, de gouverne de direction et des gaz sont tous en grand débattement, avec la course réglée à 100 %. Désactivez Throttle Hold (Maintien des gaz) s'il est programmé dans l'émetteur.

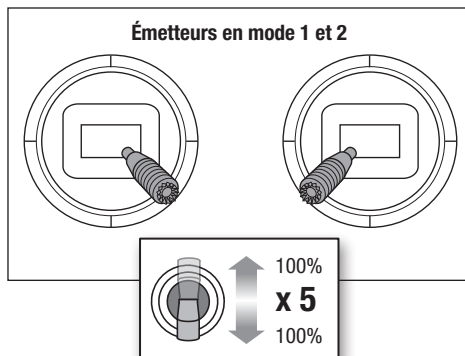
**ATTENTION :** maintenez toutes les parties du corps loin de l'hélice et gardez l'appareil solidement immobilisé en cas d'activation accidentelle des gaz.

1. Allumez l'émetteur.
2. Mettez l'avion en marche.
3. Maintenez les deux manches de l'émetteur vers les coins inférieurs à l'intérieur et faites basculer 5 fois le commutateur Gear (1 basculement = entièrement vers le haut et vers le bas). Les gouvernes de l'appareil se déplaceront, indiquant que SAFE Select a été activé ou désactivé.

Répétez le processus pour réactiver ou désactiver SAFE Select.

### Émetteurs DXe et DXS

Le commutateur A est le commutateur FMODE sur ces émetteurs et le commutateur doit être basculé entre la position 0 et 2 lors de la désactivation/l'activation de SAFE-Select.



## Armement du variateur ESC/récepteur et installation de la batterie

**ATTENTION :** tenez toujours vos mains éloignées de l'hélice. Une fois armé, le moteur entraîne l'hélice au moindre mouvement du manche des gaz.

L'armement du contrôleur se produit après le processus d'affectation précédemment décrit, cependant, lors des prochaines connexions de la batterie vous devrez suivre les étapes suivantes.

### AS3X

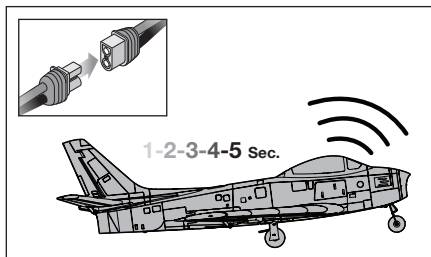
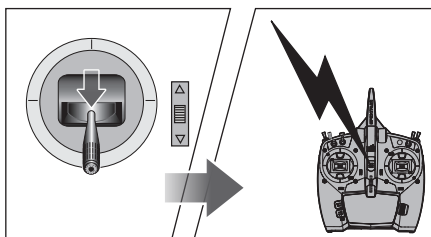
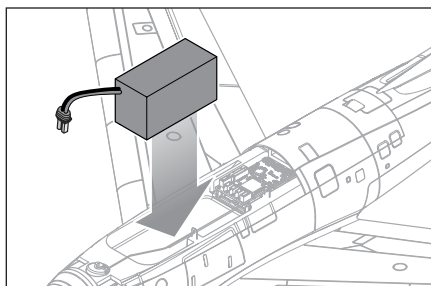
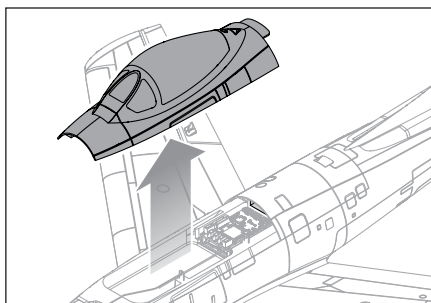
Le système AS3X® ne s'**activera** pas tant que la manette des gaz ne sera pas augmentée de plus de 25 % pour la première fois. Une fois activé, il se peut que les gouvernes se déplacent rapidement et bruyamment sur l'appareil. Il s'agit d'un comportement normal. La technologie AS3X restera active jusqu'à ce que la batterie soit déconnectée.

1. Ouvrez la trappe de la batterie.
2. Fixez la batterie à la bande auto-agrippante de sorte que la batterie soit centrée dans la cavité de la batterie.
3. Baissez les gaz et allumez votre émetteur. Activez le commutateur d'arrêt du moteur.
4. Connectez la batterie au variateur ESC en respectant bien la polarité. Maintenez l'appareil immobile et à l'abri du vent pendant 5 secondes pour permettre au système AS3X de s'initialiser. Une série de tonalités et un voyant LED allumé en continu (il se peut que le voyant LED soit difficile à voir, car il est situé à l'intérieur de l'avion) indiquent une connexion réussie.

Un voyant LED bleu allumé en continu indique que l'avion est en mode de vol SAFE et un voyant LED ROUGE allumé en continu indique que l'avion est en mode de vol AS3X. Lorsque l'avion est en mode SAFE, les servos se déplacent sans augmenter les gaz au-dessus de 25 %.

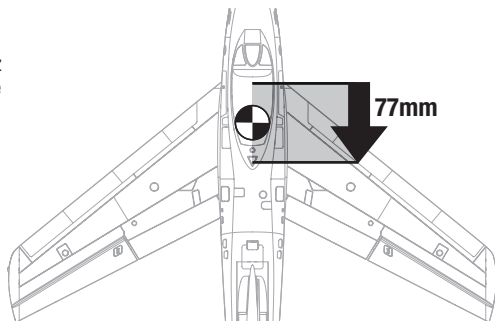
**ATTENTION :** Toujours déconnecter la batterie du contrôleur quand vous ne volez pas afin de couper l'alimentation du moteur. Le contrôleur ne possède pas d'interrupteur d'armement, il répondra à tous les mouvements du manche quand le signal est présent.

**ATTENTION :** Toujours débrancher la batterie Li-Po quand vous n'utilisez pas le modèle. Vous risqueriez de détériorer la batterie à cause d'une décharge trop importante.



## Centre de Gravité (CG)

L'emplacement du CG mesure 77 mm à partir du bord d'attaque de l'aile jusqu'au fuselage. L'emplacement du CG a été déterminé avec la batterie recommandée. Ajustez la batterie vers l'avant ou vers l'arrière pour que le modèle s'équilibre au niveau recommandé.



## Test de direction des commandes

Allumez l'émetteur, activez l'arrêt du moteur et raccordez la batterie. Utilisez l'émetteur pour commander l'aileron, la gouverne de profondeur et la gouverne de direction. Regardez l'appareil de l'arrière pour vérifier les directions de commande.

### Gouvernes de profondeur





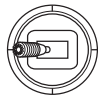

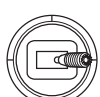

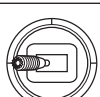
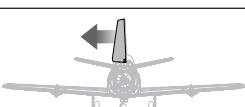
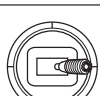
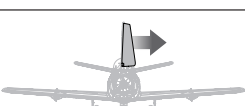
1. Tirez la manette de gouverne de profondeur en arrière. La gouverne de profondeur s'élève, ce qui fait cabrer l'appareil.
2. Poussez la manette de gouverne de profondeur vers l'avant. La gouverne de profondeur s'abaisse, ce qui fait descendre l'appareil.

### Ailerons

3. Déplacez la manette d'aileron vers la gauche. L'aileron gauche s'élève et l'aileron droit s'abaisse, ce qui fera se pencher l'appareil vers la gauche.
4. Déplacez la manette d'aileron vers la droite. L'aileron droit s'élève et l'aileron gauche s'abaisse, ce qui fera se pencher l'appareil vers la droite.

### Gouverne de direction

5. Déplacez le manche de la gouverne de direction vers la gauche. La gouverne se déplace vers la gauche, ce qui fera effectuer à l'appareil un lacet vers la gauche.
6. Déplacez le manche de la gouverne de direction vers la droite. La gouverne se déplace vers la droite, ce qui fera effectuer à l'appareil un lacet vers la droite.

	Commande de l'émetteur	Réponse des gouvernes
Gouverne de profondeur		
		
Ailerons		
		
Gouverne de direction		
		

## Centrage des commandes

**Avant vos premiers vols ou en cas d'accident, vérifiez le centrage des gouvernes.** Si les surfaces de contrôle ne sont pas centrées, ajustez les liaisons mécaniquement. L'utilisation des sub-trims de l'émetteur ne permettra peut-être pas de centrer correctement les gouvernes à cause des limites mécaniques des servos linéaires.

1. Il se peut que les trims de l'émetteur ne permettent pas de centrer correctement les surfaces de contrôle de l'avion à cause des limites mécaniques des servos linéaires.
2. Retirez le connecteur de l'articulation à bille du renvoi de commande.

3. Ajustez l'articulation à bille en plastifiant en la vissant ou en la dévissant, puis réassemblez-la sur le renvoi de commande.

### Centrage des commandes après les premiers vols

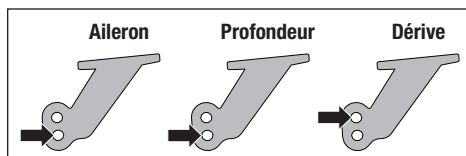


**Pour un fonctionnement optimal du système AS3X, il est important de ne pas utiliser les trims de façon excessive.** Si l'avion nécessite une correction importante aux trims (4 clics ou plus par voie), remplacez les trims à zéro et réglez mécaniquement les tringleries de façon à compenser les trims.

## Positions par défaut des tringleries

L'illustration représente les positions des tringleries sur les guignols de commande pour obtenir le comportement le plus acrobatique. La position des tringleries joue directement sur la réponse de l'avion.

**ATTENTION :** Quand la position ne correspond pas au niveau de pilotage du pilote, l'avion peut avoir des réactions pouvant surprendre le pilote. L'avion risque d'être endommagé ainsi que de causer des blessures corporelles.



## Conseils de vol et réparations



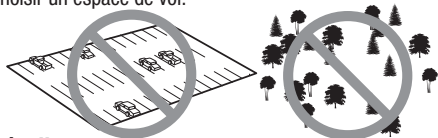
**AVERTISSEMENT** : Activez toujours la fonction Throttle Cut (Arrêt du moteur) avant d'approcher l'appareil.

### Vérifiez la portée de votre système radio

Vérifiez la portée du système radio avec l'avion. Consultez le mode d'emploi de votre émetteur pour obtenir des instructions sur les tests de portée.

### Vol

Nous vous recommandons de faire voler votre appareil à l'extérieur, sans vent ou par vent modéré, ou à l'intérieur, dans un grand gymnase. Évitez toujours de piloter votre appareil à proximité d'habitations, d'arbres, de fils électriques et de bâtiments. Faites aussi attention à éviter de faire voler votre appareil dans des lieux très fréquentés comme les parcs, les cours d'école ou les terrains de football. Consultez les lois et ordonnances locales avant de choisir un espace de vol.



### Décollage

Placez l'appareil en position de décollage (face au vent si vous volez à l'extérieur). Réglez les doubles débattements en position basse et augmentez graduellement les gaz à  $\frac{3}{4}$  à plein gaz et pilotez à l'aide de la gouverne de direction. Tirez doucement sur la gouverne de profondeur et montez pour vérifier le compensateur. Une fois le compensateur réglé, vous pouvez commencer à explorer le domaine de vol de l'appareil.

### Lancement manuel

Pour démarrer l'avion à la main, saisissez doucement le dessous du fuselage, juste derrière l'aile. Nous recommandons de démarrer en mode de vol SAFE. Passez en mode pleins gaz et lâchez l'appareil en le lançant délicatement

vers l'avant, légèrement vers le haut (5 à 10 degrés au-dessus de l'horizon) et directement dans le vent. Dès que la maquette gagne en altitude et en vitesse, baissez les gaz au niveau désiré.

### Atterrissage

Atterrissez toujours face au vent. Pendant l'arrondi, maintenez les ailes à l'horizontale et l'appareil face au vent. Baissez lentement les gaz tout en tirant lentement sur la gouverne de profondeur pour poser délicatement l'avion sur les trois roues.

**REMARQUE** : Abaissez toujours les gaz lorsque l'appareil touche le sol au moment d'atterrir pour éviter d'endommager l'hélice et le moteur.

Si vous n'abaissez pas la manette des gaz et le trim sur la position la plus basse possible pendant un crash, le variateur ESC dans le récepteur risque d'être endommagé.

### Protection contre les surintensités (OCP)

L'avion est équipé d'une protection contre les surintensités. L'OCP protège le variateur ESC contre la surchauffe et arrête le moteur lorsque les gaz de l'émetteur sont trop élevés ou que l'hélice ne peut pas tourner. L'OCP ne s'activera que lorsque les gaz sont positionnés juste au-dessus de 1/2 des gaz. Après que le variateur ESC a arrêté le moteur, abaissez complètement les gaz pour réarmer le variateur ESC.

### Réparations

Les dégâts consécutifs à une chute ne sont pas pris en charge dans le cadre de la garantie.

Réparez cet appareil en utilisant une colle cyanoacrylate compatible avec la mousse ou du ruban adhésif transparent. Utilisez uniquement une colle cyanoacrylate compatible avec la mousse, car les autres types de colle sont susceptibles d'endommager la mousse. Lorsque les pièces ne sont pas réparables, consultez la Liste des pièces de rechange et passez vos commandes en mentionnant le numéro de référence.

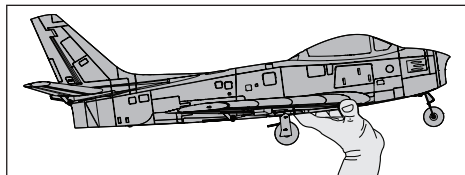
## Lancement manuel

**REMARQUE** : Nous vous conseillons de lancer manuellement en mode SAFE, face au vent à pleine puissance et avec de grands débattements.

L'unité de commande détecte tout de suite la force du lancement manuel en mode SAFE et active systématiquement la fonctionnalité d'assistance au lancement manuel. Quand cette fonctionnalité est activée, l'unité de commande ajoute automatiquement une levée de la gouverne de profondeur afin que l'aéronef monte à un angle plus élevé pendant quelques secondes. Le mode SAFE standard est rétabli peu après le lancement.

### Saisie

Nous vous conseillons de tenir l'aéronef par le bas du fuselage, juste sous les ailes, comme indiqué.



### Accompagnement

Lancez par-dessus l'épaule, les ailes à l'horizontale et le nez du modèle légèrement relevé. Accompagnez votre mouvement en pointant vos doigts vers l'avion après l'avoir lancé. Évitez de faire un lancer arqué qui pourrait le faire piquer du nez lorsque vous le lâchez.

## Vérifications à effectuer après le vol

Débranchez la batterie (Par sécurité et pour la longévité de la batterie).

Mettez l'émetteur hors tension.

Retirez la batterie du modèle.

Stockez précieusement la batterie hors de l'avion.

## Maintenance de la motorisation

### Démontage

**ATTENTION** : NE manipulez PAS l'hélice lorsque la batterie de vol est branchée sur le variateur ESC. Vous risqueriez de vous blesser.

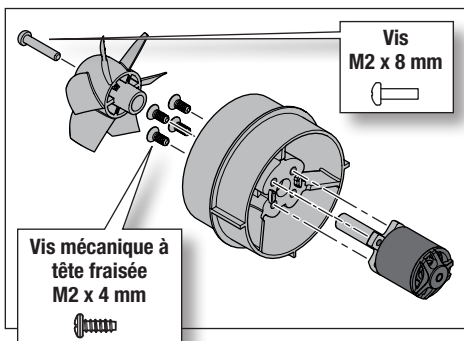
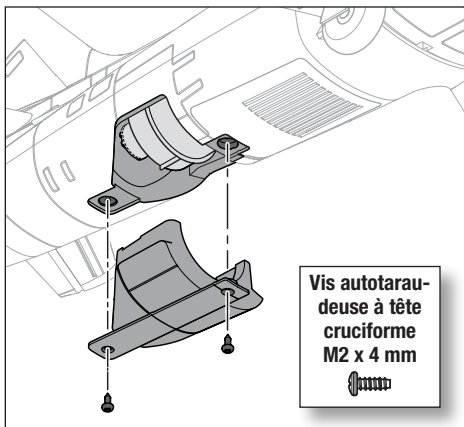
#### Moteur

1. Retirez les deux vis autotaraudeuses M2 x 4 mm du couvercle de la soufflante et du moteur à l'aide d'un tournevis cruciforme n° 0.
2. Débranchez le connecteur de câble du moteur.
3. Retirez le moteur et la soufflante.
4. Retirez la vis M2 x 8 mm de la soufflante à l'aide d'un tournevis cruciforme n° 0.
5. Retirez les quatre vis mécaniques à tête fraisée M2 x 4 mm à l'aide d'un tournevis cruciforme n° 0.

### Assemblage

Montez dans l'ordre inverse.

- Assurez-vous que l'adaptateur d'hélice et le support de moteur sont entièrement accrochés au moteur.



## Le train d'atterrissage

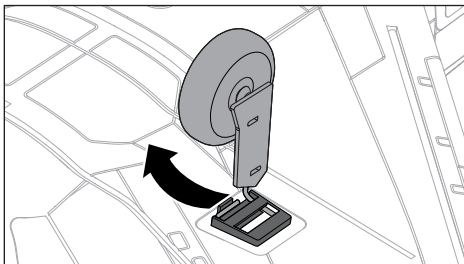
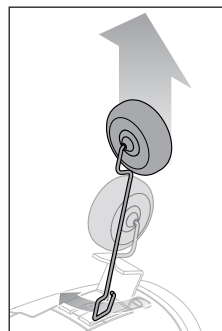
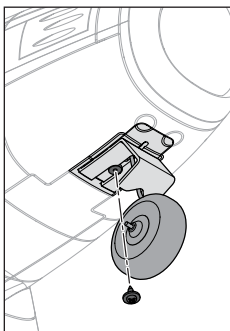
Le train d'atterrissage de l'avion est installé en usine. Procédez comme suit pour déposer le train d'atterrissage avant et principal.

### Dépose du train d'atterrissage avant

1. Retirez la vis autotaraudeuse de M1,2 x 4 mm à l'aide d'un tournevis cruciforme n° 0. La porte du train d'atterrissage avant se détache.
2. Retirez le train d'atterrissage avant du fuselage, puis tournez la roue à 90 degrés pour retirer le câble de l'ouverture.

### Dépose du train d'atterrissage principal

1. Utilisez un petit tournevis à tête plate pour faire glisser délicatement le câble sur la retenue.
2. Retirez le train d'atterrissage de sa retenue.



## Guide de dépannage du système AS3X

Problème	Cause possible	Solution
Les gouvernes ne sont pas au neutre alors que les manches sont au neutre	Les tringleries ne sont pas correctement réglées	Effectuez un réglage mécanique en serrant ou desserrant les "U" des tringleries
	L'avion a été déplacé avant l'initialisation des capteurs	Débranchez la batterie et rebranchez-la en prenant garde de ne pas déplacer le modèle durant 5 secondes
Le modèle vol de façon aléatoire de vol en vol	L'avion n'est pas resté immobile durant 5 secondes après y avoir connecté la batterie	Gardez l'avion immobile durant 5 secondes après la connexion de la batterie
	Les trims sont trop décalés par rapport au neutre	Placez les trims au neutre et réglez mécaniquement les tringleries
Le modèle vibre en vol (le modèle sautille rapidement)	L'hélice n'est pas équilibrée, causant des vibrations excessives	Retirez l'hélice et ré-équilibrez-la ou remplacez si nécessaire
	La vis de l'hélice est desserrée, ce qui provoque des vibrations	Resserrez la vis

## Guide de dépannage

Problème	Cause possible	Solution
L'avion ne répond pas à la commande des gaz mais répond aux autres commandes	La commande des gaz n'était pas en position ralentie et/ou le trim des gaz était trop élevé	Réinitialisez les commandes en plaçant la manette des gaz et le trim des gaz à leur position la plus basse
	La voie des gaz est inversée	Inversez la voie des gaz sur l'émetteur
	Moteur débranché du récepteur	Vérifiez que le moteur est bien relié au récepteur
Bruit ou vibration excessifs au niveau de l'hélice	Moteur ou ensemble cône d'hélice et hélice endommagé	Remplacez les pièces endommagées
	La vis de l'hélice est desserrée	Resserrez la vis
	L'hélice n'est pas équilibrée	Équilibrez ou remplacez l'hélice par une hélice équilibré
Temps de vol réduit ou manque de puissance de l'avion	Charge de la batterie de vol faible	Rechargez complètement la batterie de vol
	L'hélice est montée à l'envers	Montez l'hélice avec les numéros face à vous
	Batterie de vol endommagée	Remplacez la batterie de vol et suivez les instructions correspondantes
	Températures trop basses lors du vol	Assurez-vous que la batterie est chaude avant utilisation
	Capacité de la batterie trop faible pour les conditions de vol	Remplacez la batterie ou utilisez une batterie de capacité plus élevée
La DEL du récepteur clignote rapidement et l'avion n'est pas affecté à l'émetteur	L'émetteur était trop proche de l'avion pendant le processus d'affectation	Éloignez l'émetteur allumé à quelques pas de l'avion, déconnectez la batterie de vol de l'avion, puis recommencez le processus d'affectation
	Le bouton ou l'interrupteur Bind n'a pas été maintenu assez longtemps	Mettez l'émetteur sous tension, puis ré-effectuez l'affectation en maintenant le bouton ou l'interrupteur jusqu'à la fin du processus
	L'aéronef ou l'émetteur se trouve trop près d'un objet métallique de grande taille, d'une source Wi-Fi ou d'un autre émetteur	Déplacer l'aéronef et/ou l'émetteur à bonne distance des obstacles cités et effectuer à nouveau l'affectation

## Guide de dépannage

Problème	Cause possible	Solution
La DEL du récepteur clignote rapidement et l'avion ne répond pas à l'émetteur (après l'affectation)	Moins de 5 secondes se sont écoulées entre l'allumage de l'émetteur et la connexion de la batterie de vol sur l'avion	En laissant l'émetteur allumé, déconnectez la batterie de vol, puis reconnectez-la
	L'avion est affecté à une autre mémoire de modèle (radios ModelMatch uniquement)	Choisissez la bonne mémoire de modèle sur l'émetteur, puis déconnectez la batterie de vol et reconnectez-la
	La charge de la batterie de vol ou de l'émetteur est trop faible	Remplacez ou rechargez les batteries
	L'émetteur a peut-être été affecté à un modèle différent (ou avec un protocole DSM différent)	Sélectionnez le bon émetteur ou affectez-le au nouveau
	L'aéronef ou l'émetteur se trouve trop près d'un objet métallique de grande taille, d'une source Wi-Fi ou d'un autre émetteur	Déplacer l'aéronef et/ou l'émetteur à bonne distance des obstacles cités et tenter une nouvelle liaison
Les gouvernes ne bougent pas	La gouverne, guignol de commande, liaison ou servo endommagé	Réparez ou remplacez les pièces endommagées et réglez les commandes
	Câbles endommagés ou mal connectés	Contrôlez les câbles et les connexions, et procédez aux connexions et remplacements nécessaires
	La charge de la batterie de vol est faible	Rechargez complètement ou remplacez la batterie de vol
	La liaison ne se déplace pas librement	Assurez-vous que les liaisons se déplacent librement
Les commandes sont inversées	Les réglages de l'émetteur sont inversés	Procédez au test de contrôle de la direction et réglez correctement les commandes sur l'émetteur
Le moteur perd de la puissance	Le moteur, l'arbre d'hélice ou les composants d'alimentation sont endommagés	Vérifiez que le moteur, l'arbre d'hélice et les composants d'alimentation ne présentent pas de dégradation (remplacer le cas échéant)
L'alimentation du moteur diminue et augmente rapidement, puis le moteur perd en puissance	La charge de la batterie est faible au point d'entraîner une coupure par tension faible du récepteur/de l'ESC	Rechargez la batterie de vol ou remplacez la batterie qui ne fonctionne plus
Contrôleur non armé après un atterrissage	La sécurité anti-surcharge s'est activée, l'hélice a du se retrouver bloquée alors que le manche des gaz était au-dessus de la moitié	Baissez à fond le manche des gaz pour réarmer
Le servo se verrouille ou se bloque en bout de course	La valeur de réglage de course est définie à plus de 100%, d'où une surcharge du servo	Définissez une valeur de réglage de course inférieure ou égale à 100%. Et ajustez les tringleries mécaniquement



## Pièces de rechange

Référence	Description
EFLU7051	Fuselage peint : UMX F-86 Sabre
EFLU7052	Empennage : UMX F-86 Sabre
EFLU7053	Ensemble guignol de commande : UMX F-86 Sabre
EFLU7054	Ensemble train d'atterrissage : UMX F-86 Sabre
EFLU7055	Verrière/trappe de la batterie : UMX F-86 Sabre
EFLU7056	Feuillet d'autocollants : UMX F-86 Sabre
EFLU7057	Ensemble de tige de poussée : UMX F-86 Sabre
EFLU7058	Ensemble soufflante 30 x 20,5 mm
EFLU7059	Rotor de soufflante 30 x 82 mm
EFLU7060	Couvercle de soufflante : UMX F-86 Sabre
EFLU7061	Ensemble d'extension : UMX F-86 Sabre
SPMA3191	Récepteur/variableur ESC : UMX F-86 Sabre
SPMSA201	Servo linéaire longue portée 2,3 g A201
SPMXAM3200	Moteur sans balais : 1010-8300 Kv

## Garantie et réparations

**Durée de la garantie**—Garantie exclusive - Horizon Hobby, LLC (Horizon) garantit que le Produit acheté (le « Produit ») sera exempt de défauts matériels et de fabrication à sa date d'achat par l'acheteur. La durée de garantie correspond aux dispositions légales du pays dans lequel le produit a été acquis. La durée de garantie est de 6 mois et la durée d'obligation de garantie de 18 mois à l'expiration de la période de garantie.

**Limitations de la garantie**—(a) La garantie est donnée à l'acheteur initial (« Acheteur ») et n'est pas transférable. Le recours de l'acheteur consiste en la réparation ou en l'échange dans le cadre de cette garantie. La garantie s'applique uniquement aux produits achetés chez un revendeur Horizon agréé. Les ventes faites à des tiers ne sont pas couvertes par cette garantie. Les revendications en garantie seront acceptées sur fourniture d'une preuve d'achat valide uniquement. Horizon se réserve le droit de modifier les dispositions de la présente garantie sans avis préalable et révoque alors les dispositions de garantie existantes.

(b) Horizon n'endosse aucune garantie quant à la vendabilité du produit ou aux capacités et à la forme physique de l'utilisateur pour une utilisation donnée du produit. Il est de la seule responsabilité de l'acheteur de vérifier si le produit correspond à ses capacités et à l'utilisation prévue.

(c) Recours de l'acheteur – Il est de la seule discrétion d'Horizon de déterminer si un produit présentant un cas de garantie sera réparé ou échangé. Ce sont là les recours exclusifs de l'acheteur lorsqu'un défaut est constaté.

Horizon se réserve la possibilité de vérifier tous les éléments utilisés et susceptibles d'être intégrés dans le cas de garantie. La décision de réparer ou de remplacer le produit est du seul ressort d'Horizon. La garantie exclut les défauts esthétiques ou les défauts provoqués par des cas de force majeure, une manipulation incorrecte du produit, une utilisation incorrecte ou commerciale de ce dernier ou encore des modifications de quelque nature qu'elles soient.

## Pièces recommandées

Référence	Description
SPMR7100	Émetteur à 7 canaux NX7e uniquement
SPMX4504SIC2	Batterie Li-Po, 14,8 V, 450 mAh, 4S, 30C : IC2
SPMXC209	Chargeur Smart USB-C G2 S100
SPMXCA320	Adaptateur : batterie IC3 / dispositif IC2

## Optionale Bauteile und Zubehörteile

Référence	Description
SPMR8200	Émetteur DSMX NX8 8 canaux uniquement
SPMR10100	Émetteur à 10 canaux NX10 DSMX uniquement
SPMXC2060	Chargeur Smart S250 CA 2 x 50 W
SPMXC2080	Chargeur Smart CA 1 x 100 W G2 S1100

La garantie ne couvre pas les dégâts résultant d'un montage ou d'une manipulation erronés, d'accidents ou encore du fonctionnement ainsi que des tentatives d'entretien ou de réparation non effectuées par Horizon. Les retours effectués par le fait de l'acheteur directement à Horizon ou à l'une de ses représentations nationales requièrent une confirmation écrite.

**Limitation des dommages**—Horizon ne saurait être tenu pour responsable de dommages conséquents directs ou indirects, de pertes de revenus ou de pertes commerciales, liés de quelque manière que ce soit au produit et ce, indépendamment du fait qu'un recours puisse être formulé en relation avec un contrat, la garantie ou l'obligation de garantie. Par ailleurs, Horizon n'acceptera pas de recours issus d'un cas de garantie lorsque ces recours dépassent la valeur unitaire du produit. Horizon n'exerce aucune influence sur le montage, l'utilisation ou la maintenance du produit ou sur d'éventuelles combinaisons de produits choisies par l'acheteur. Horizon ne prend en compte aucune garantie et n'accepte aucun recours pour les blessures ou les dommages pouvant en résulter. Horizon Hobby ne saurait être tenu responsable d'une utilisation ne respectant pas les lois, les règles ou réglementations en vigueur.

En utilisant et en montant le produit, l'acheteur accepte sans restriction ni réserve toutes les dispositions relatives à la garantie figurant dans le présent document. Si vous n'êtes pas prêt, en tant qu'acheteur, à accepter ces dispositions en relation avec l'utilisation du produit, nous vous demandons de restituer au vendeur le produit complet, non utilisé et dans son emballage d'origine.

**Indications relatives à la sécurité**—Ceci est un produit de loisirs perfectionné et non un jouet. Il doit être utilisé avec précaution et bon sens et nécessite quelques aptitudes mécaniques ainsi que mentales. L'incapacité à utiliser le produit de manière sûre et raisonnable peut provoquer des blessures et des dégâts matériels conséquents. Ce produit n'est pas destiné à être utilisé par des enfants sans la surveillance



par un tuteur. La notice d'utilisation contient des indications relatives à la sécurité ainsi que des indications concernant la maintenance et le fonctionnement du produit. Il est absolument indispensable de lire et de comprendre ces indications avant la première mise en service. C'est uniquement ainsi qu'il sera possible d'éviter une manipulation erronée et des accidents entraînant des blessures et des dégâts. Horizon Hobby ne saurait être tenu responsable d'une utilisation ne respectant pas les lois, les règles ou réglementations en vigueur.

**Questions, assistance et réparations**—Votre revendeur spécialisé local et le point de vente ne peuvent effectuer une estimation d'éligibilité à l'application de la garantie sans avoir consulté Horizon. Cela vaut également pour les réparations sous garantie. Vous voudrez bien, dans un tel cas, contacter le revendeur qui conviendra avec Horizon d'une décision appropriée, destinée à vous aider le plus rapidement possible.

**Maintenance et réparation**—Si votre produit doit faire l'objet d'une maintenance ou d'une réparation, adressez-vous soit à votre revendeur spécialisé, soit directement à Horizon. Emballez le produit soigneusement. Veuillez noter que le carton d'emballage d'origine ne suffit pas, en règle générale, à protéger le produit des dégâts pouvant survenir pendant le transport. Faites appel à un service de messagerie proposant une fonction de suivi et une assurance, puisque Horizon ne prend aucune responsabilité pour l'expédition du produit jusqu'à sa réception acceptée. Veuillez joindre une preuve d'achat, une

description détaillée des défauts ainsi qu'une liste de tous les éléments distincts envoyés. Nous avons de plus besoin d'une adresse complète, d'un numéro de téléphone (pour demander des renseignements) et d'une adresse de courriel.

**Garantie et réparations**—Les demandes en garantie seront uniquement traitées en présence d'une preuve d'achat originale émanant d'un revendeur spécialisé agréé, sur laquelle figurent le nom de l'acheteur ainsi que la date d'achat. Si le cas de garantie est confirmé, le produit sera réparé. Cette décision relève uniquement d'Horizon Hobby.

**Réparations payantes**—En cas de réparation payante, nous établissons un devis que nous transmettons à votre revendeur. La réparation sera seulement effectuée après que nous ayons reçu la confirmation du revendeur. Le prix de la réparation devra être acquitté au revendeur. Pour les réparations payantes, nous facturons au minimum 30 minutes de travail en atelier ainsi que les frais de réexpédition. En l'absence d'un accord pour la réparation dans un délai de 90 jours, nous nous réservons la possibilité de détruire le produit ou de l'utiliser autrement.

**ATTENTION :** Nous n'effectuons de réparations payantes que pour les composants électriques et les moteurs. Les réparations touchant à la mécanique, en particulier celles des hélicoptères et des voitures radiocommandées, sont extrêmement coûteuses et doivent par conséquent être effectuées par l'acheteur lui-même.

10/15

## Informations de contact pour garantie et réparation

Pays d'achat	Horizon Hobby	Numéro de téléphone/ E-mail	Adresse
Union européenne	Horizon Technischer Service Sales: Horizon Hobby GmbH	service@horizonhobby.de +49 (0) 4121 2655 100	Hanskampring 9 D 22885 Barsbüttel, Germany

## Informations IC

**IC: 6157A-WAC01T**

**CAN ICES-3 (B)/NMB-3(B)**

Ce dispositif contient un/des émetteur(s)/récepteur(s) exempt(s) de licence conforme(s) aux CNR d'Innovation, Sciences et Développement économique Canada. Son utilisation est soumise aux deux conditions suivantes :

1. Cet appareil ne doit pas causer d'interférences.
2. Cet appareil doit accepter toute interférence, y compris les interférences pouvant entraîner un fonctionnement indésirable.

## Informations de conformité pour l'Union européenne

**CE Déclaration de conformité aux normes de l'UE : EFL UMX F-86 Sabre 30mm EDF BNF Basic (EFLU7050)** : Par la présente, Horizon

Hobby, LLC déclare que cet appareil est conforme aux directives suivantes : Directive relative aux équipements radioélectriques 2014/53/UE, Directive RoHS 2 2011/65/UE, Directive RoHS 3 - Modifiant 2011/65/UE Annexe II 2015/863.

Le texte complet de la déclaration de conformité aux normes de l'UE est disponible à l'adresse Internet suivante : <https://www.horizonhobby.com/content/support-render-compliance>.

**Plage de fréquences sans fil et puissance de sortie sans fil :**

**Récepteur :**

2402–2478 MHz  
1.43dBm

**Fabricant officiel pour l'UE :**

Horizon Hobby, LLC  
2904 Research Road  
Champaign, IL 61822 USA

**Importateur officiel pour l'UE :**

Horizon Hobby, GmbH  
Hanskampring 9  
22885 Barsbüttel Germany

**NOTE DEEE :**



L'étiquette de cet appareil respecte la directive européenne 2012/19/UE en matière de déchets des équipements électriques et électroniques (DEEE). Cette étiquette indique que ce produit ne doit pas être jeté avec les déchets ménagers, mais déposé dans une installation appropriée afin de permettre sa récupération et son recyclage.

## AVVISO

Tutte le istruzioni, le garanzie e altri documenti pertinenti sono soggetti a modifiche a totale discrezione di Horizon Hobby, LLC. Per una documentazione aggiornata sul prodotto, visitare il sito [www.horizonhobby.com](http://www.horizonhobby.com) o [towerhobbies.com](http://towerhobbies.com) e fare clic sulla sezione Support del prodotto.

## CONVENZIONI TERMINOLOGICHE

I seguenti termini vengono utilizzati in tutta la documentazione relativa al prodotto per indicare il livello di eventuali danni connessi all'utilizzo di questo prodotto:

**AVVERTENZA:** indica procedure che, se non debitamente seguite, determinano la probabilità di danni alle cose, danni collaterali e gravi lesioni alle persone OPPURE una probabilità elevata di lesioni superficiali alle persone.

**ATTENZIONE:** indica procedure che, se non debitamente seguite, determinano la probabilità di danni alle cose E la possibilità di gravi lesioni alle persone.

**AVVISO:** indica procedure che, se non debitamente seguite, possono determinare la possibilità di danni alle cose E la possibilità minima o nulla di lesioni alle persone.



**AVVERTENZA:** leggere PER INTERO il manuale di istruzioni per acquisire dimestichezza con le caratteristiche del prodotto prima di metterlo in funzione. Un uso improprio del prodotto può causare danni al prodotto stesso e ai beni personali e provocare gravi lesioni alle persone.

Questo è un prodotto sofisticato per appassionati di modellismo. Deve essere utilizzato in modo attento e responsabile e richiede alcune conoscenze basilari di meccanica. L'uso improprio o irresponsabile di questo prodotto potrebbe causare lesioni alle persone o danni al prodotto stesso o ad altre cose. Questo prodotto non deve essere utilizzato dai bambini senza la diretta supervisione di un adulto. Non utilizzare componenti incompatibili o modificare il prodotto in maniera diversa da quanto riportato nelle istruzioni fornite da Horizon Hobby, LLC. Il presente manuale contiene le istruzioni per la sicurezza, l'uso e la manutenzione del prodotto. È fondamentale leggere e seguire tutte le istruzioni e le avvertenze riportate nel manuale prima di montare, impostare o usare il prodotto per poterlo utilizzare correttamente ed evitare di causare danni alle cose o gravi lesioni alle persone.

**ETÀ CONSIGLIATA: almeno 14 anni. Questo non è un giocattolo.**

## Precauzioni e avvertenze sulla sicurezza

L'utente di questo prodotto è l'unico responsabile del corretto utilizzo del medesimo in modo tale da non risultare pericoloso per sé stesso e gli altri e da non danneggiare il prodotto stesso o i beni altrui.

- Mantenere sempre la distanza di sicurezza in tutte le direzioni attorno al modello per evitare collisioni o danni. Questo modello è controllato da un segnale radio soggetto a interferenze provenienti da diverse sorgenti non controllabili dall'utilizzatore. Tali interferenze possono provocare perdite momentanee di controllo.
- Utilizzare sempre il modello in spazi liberi da veicoli, traffico e persone.
- Seguire sempre scrupolosamente le istruzioni e le avvertenze sia per il modello che per tutti gli accessori (caricabatteria, pacchi batteria ricaricabili, ecc.).
- Tenere sempre le sostanze chimiche, le parti piccole e i componenti elettrici fuori dalla portata dei bambini.
- Evitare sempre il contatto con l'acqua di tutte le apparecchiature che non sono state appositamente progettate a tale scopo. L'umidità danneggia i componenti elettronici.
- Non mettere in bocca le parti del modello. Potrebbe essere pericoloso e persino mortale.
- Non utilizzare il modello se le batterie della trasmittente sono poco cariche.
- Tenere sempre il velivolo in vista e sotto controllo.
- Usare sempre batterie completamente cariche.
- Tenere sempre la trasmittente accesa quando il velivolo viene alimentato.
- Rimuovere sempre le batterie prima dello smontaggio.
- Tenere sempre pulite le parti mobili.
- Tenere sempre i componenti asciutti.
- Lasciare sempre che i componenti si raffreddino dopo l'uso prima di toccarli.
- Rimuovere sempre le batterie dopo l'uso.
- Accertarsi sempre che il failsafe sia impostato correttamente prima del volo.
- Non utilizzare mai velivoli con cablaggi danneggiati.
- Non toccare mai le parti in movimento.



**ATTENZIONE AI PRODOTTI CONTRAFFATTI:** se è necessario sostituire la ricevente Spektrum in dotazione con uno dei prodotti Horizon Hobby, si raccomanda di acquistare sempre da Horizon Hobby, LLC o da un suo rivenditore autorizzato per essere certi dell'autenticità e della qualità del prodotto Spektrum. Horizon Hobby, LLC nega ogni assistenza tecnica e garanzia a titolo esemplificativo, ma non esaustivo in merito alla compatibilità e alle prestazioni di prodotti contraffatti o dichiarati compatibili con la tecnologia DSM o Spektrum.

## Registrazione

Registra il tuo prodotto oggi stesso per unirti alla nostra mailing list e ricevere tutti gli aggiornamenti sui prodotti, le offerte e le novità E-flite.



Specifiche	
<b>Apertura alare</b>	443mm (17.44")
<b>Lunghezza</b>	466mm (18.3")
<b>Peso</b>	Senza batteria: 4.4 oz (125g) Con la batteria 4S 450 mAh consigliata: 218g (7.7 oz)

Elementi inclusi	
<b>Ricevitore/ESC</b>	Unità ricevitore/ESC Spektrum (SPMA3191)
<b>Motore</b>	Motore Brushless: 1010-8300 Kv (SPMXAM3200)
<b>Servos</b>	Servo lineare a corsa lunga Spektrum A201 2,3 g (SPMSA201)

Elementi consigliate	
<b>Trasmittente</b>	Piena portata 5+ canali 2,4 GHz con tecnologia Spektrum DSM2/DSMX
<b>Batterie</b>	Batteria Spektrum 450 mAh 4S 14,8 V 30C LiPo: IC2 (SPMX4504SIC2)
<b>Caricabatterie</b>	Caricabatterie Smart USB-C S100 G2 (SPMXC2090)

## Indice

Spegnimento per bassa tensione (LVC).....	48	Lancio a mano .....	54
Impostazione della trasmittente .....	48-49	Elenco di controllo dopo il volo .....	54
Binding del trasmettitore e del ricevitore .....	50	Manutenzione del gruppo propulsore .....	55
Telemetria integrata.....	50	Carrello di atterraggio.....	55
Tecnologia SAFE® Select.....	50-51	Guida alla risoluzione dei problemi del sistema AS3X .....	56
Attivazione del ricevitore/ESC e installazione della batteria .....	52	Guida alla risoluzione dei problemi.....	56-57
Baricentro (CG) .....	52	Pezzi di ricambio.....	58
Verifica della direzione dei comandi .....	53	Parti consigliate .....	58
Centraggio dei comandi .....	53	Pezzi opzionali e accessori .....	58
Impostazione originale delle squadrette .....	53	Garanzia .....	58-59
Consigli per il volo e riparazioni .....	54	Garanzia e Assistenza - Informazioni per i contatti .....	59
		Dichiarazione di conformità per l'Unione europea.....	59

## Consigli generali per binding e failsafe BNF

- Il ricevitore incluso è stato programmato specificamente per questo aeromodello. In caso di sostituzione del ricevitore, consultare il manuale del ricevitore per impostarlo correttamente.
- Tenersi lontani da grandi oggetti metallici durante il binding.
- Non puntare l'antenna della trasmittente direttamente al ricevitore durante la connessione.
- Il LED arancione sul ricevitore inizia a lampeggiare rapidamente quando il ricevitore entra in modalità di binding.
- Una volta collegato, il ricevitore mantiene le impostazioni di binding per la trasmittente a cui è stato associato fino a quando non si ripete al procedura di binding.
- Il failsafe si attiva se il ricevitore perde la comunicazione con la trasmittente. Il failsafe sposta il canale del gas in posizione di gas basso. I canali di rollio e beccheggio si muovono per stabilizzare il modello in una virata discendente.
- In caso di problemi, consultare la guida alla risoluzione dei problemi o, se necessario, contattare il servizio di assistenza di Horizon Hobby.

## Spegnimento per bassa tensione (LVC)

Se si scarica una batteria LiPo al di sotto di 3 V per cella, in seguito non riuscirà più a mantenere la carica. Per proteggere la batteria di bordo dalla sovrascarica questo modello adotta il sistema LVC che toglie alimentazione al motore qualora la tensione della batteria scendesse troppo. Considerando che una parte dell'energia contenuta nella batteria serve ad alimentare il sistema di controllo del modello.

Quando il regime del motore scende e sale veloce vuol dire che il sistema LVC avvisa che la tensione della batteria è scesa sotto il livello minimo, quindi bisogna atterrare nel modo più rapido e sicuro possibile.

Scollegare sempre e togliere le batterie LiPo dall'aereo dopo ogni volo. Prima di riportarle bisogna caricarle a metà, verificando che ogni cella non scenda sotto i 3V. Se non si scollegano le batterie LiPo dal regolatore, si scaricano lentamente fino alla scarica completa, danneggiandosi.

Per i primi voli impostare il timer del trasmettitore o di un altro contatempo, a 4 minuti. Nei voli successivi si aumenterà o diminuirà questo tempo basandosi su quanto rilevato nei primi voli del modello.

**AVVISO:** continuare a volare dopo l'avviso LVC potrebbe danneggiare le batterie.

## Impostazione della trasmittente

Se la trasmittente lo consente, attivare la funzione di taglio gas. Attivare sempre il taglio del gas prima di avvicinarsi all'aeromodello.

### Dual Rates (riduttori di corsa)

Per i voli iniziali si consiglia una bassa velocità.

**AVVISO:** Per accertarsi che la tecnologia AS3X funzioni correttamente, non abbassare i valori della velocità al di sotto del 50%.

**AVVISO:** Se si verificano oscillazioni ad alta velocità, consultare la guida alla risoluzione dei problemi per maggiori informazioni.

### Esponenziale

Dopo i voli iniziali, è possibile regolare il valore Expo per un migliore adattamento al proprio stile di volo.

#### Allarmi di telemetria

Smart ESC: 12 poli	
Rx V / Rx V min	4.2V
Smart ESC / Allarme bassa tensione	3.4V
Batteria smart / avvio V min	4.0V

## Impostazione delle trasmissioni serie NX

1. Accendere la trasmittente, premere la rotella di scorrimento, scorrere fino a **System Setup (Impostazione sistema)** e premere di nuovo sulla rotella. Selezionare **YES (Sì)**.
2. Andare in **Model Select (Scelta modello)** e scegliere **Add New Model (Aggiungi nuovo modello)** verso il fondo alla lista. Selezionare **Airplane Model Type (Tipo modello aeroplano)** scegliendo l'icona dell'aeroplano; poi selezionare **Create (Crea)**.
3. Impostare **Model Name (Nome modello)**: inserire il nome da assegnare al file del modello.
4. Andare su **Aircraft Type (Tipo aereo)** e scorrere fino alla selezione dell'ala, scegliere **Wing (Ala): 1 Normale Tail (Coda): Normale**
5. Selezionare **Main Screen (Schermata principale)**, premere sulla rotella per entrare in **Function List (Lista funzioni)**.
6. Andare nei menu **D/R (Dual Rate) ed Expo** per impostare **D/R ed Expo**.
7. Impostare **Dual Rate ed Expo: Alettone**  
Impostare **Interruttore: Switch F**  
Impostare **High Rates (Ratei alti): 100%, Expo 10% — Low Rates (Ratei bassi): 70%, Expo 5%**
8. Impostare **Dual Rate ed Expo: Elevatore**  
Impostare **Interruttore: Switch C**  
**High Rates (Ratei alti): 100%, Expo 10% — Low Rates (Ratei bassi): 70%, Expo 5%**
9. Impostare **Dual Rate ed Expo: Timone**  
Impostare **Interruttore: Switch G**  
**High Rates (Ratei alti): 100%, Expo 10% — Low Rates (Ratei bassi): 70%, Expo 5%**
10. Impostare **Throttle Cut (Taglio gas); Interruttore: Switch H,**  
**Posizione: -100%**

## Impostazione della trasmittente

### Impostazione delle trasmissioni serie DX

1. Accendere la trasmittente, premere la rotella di scorrimento, scorrere fino a **System Setup (Impostazione sistema)** e premere di nuovo sulla rotella. Selezionare **YES (Sì)**.
2. Andare in **Model Select (Scelta modello)** e scegliere **Add New Mode (Aggiungi nuovo modello)** in fondo alla lista. Il sistema chiede se si vuole creare un nuovo modello, selezionare **Create (Crea)**.
3. Impostare **Model Type (Tipo di modello)**: Selezionare **Airplane Model Type (Tipo modello aeroplano)** scegliendo l'icona dell'aeroplano. Il sistema chiede di confermare il tipo di modello, i dati saranno resettati. Selezionare **YES (Sì)**.
4. Impostare **Model Name (Nome modello)**: inserire il nome da assegnare al file del modello.
5. Andare su **Aircraft Type (Tipo aereo)** e scorrere fino alla selezione dell'ala, scegliere **Wing (Ala): 1 Normale Tail (Coda): Normale**
6. Selezionare **Main Screen (Schermata principale)**, premere sulla rotella per entrare in **Function List (Lista funzioni)**.
7. Impostare **D/R (Dual Rate) ed Expo: Alettone**  
Impostare **Interruttore: Switch F**  
Impostare **High Rates (Ratei alti): 100%, Expo 10% — Low Rates (Ratei bassi): 70%, Expo 5%**
8. Impostare **D/R (Dual Rate) ed Expo: Elevatore**  
Impostare **Interruttore: Switch C**  
**High Rates (Ratei alti): 100%, Expo 10% — Low Rates (Ratei bassi): 70%, Expo 5%**
9. Impostare **Dual Rate ed Expo: Timone**  
Impostare **Interruttore: Switch G**  
**High Rates (Ratei alti): 100%, Expo 10% — Low Rates (Ratei bassi): 70%, Expo 5%**
10. Impostare **Throttle Cut (Taglio gas); Interruttore: Switch H, Posizione: -100%**

### Configurazione delle trasmissioni serie iX

1. Accendere la trasmittente e attendere che l'applicazione Spektrum AirWare si apra.  
Selezionare l'icona della penna arancione nell'angolo in alto a sinistra; il sistema chiede di poter spegnere la trasmissione RF. Selezionare **PROCEED (PROCEDI)**.
2. Selezionare i tre punti nell'angolo in alto a destro nello schermo, poi selezionare **Add a New Mode (Aggiungi nuovo modello)**.
3. Selezionare **Model Option (Opzione modello)**, scegliere **DEFAULT**, scegliere **Airplane (Aereo)**.  
Il sistema chiede se si vuole creare un nuovo modello ACRO; selezionare **Create (Crea)**.
4. Selezionare l'ultimo modello della lista, chiamato **Acro**. Toccare la parola Acro e rinominare il file con un nome a scelta.
5. Tenere premuta l'icona della freccia indietro nell'angolo in alto a sinistra dello schermo per tornare alla schermata principale.
6. Andare nel menu **Model Setup (Imposta modello)**. Selezionare **Aircraft Type (Tipo aeromodello)**. Il sistema chiede di poter spegnere la trasmissione RF. Selezionare **PROCEED (PROCEDI)**.  
Toccare lo schermo per selezionare l'ala. Selezionare **Normal**.
7. Tenere premuta l'icona della freccia indietro nell'angolo in alto a sinistra dello schermo per tornare alla schermata principale.
8. Andare nel menu **Model Adjust (Regola modello)**.
9. Impostare **Dual Rate ed Expo**: Selezionare **Aileron (Alettone)**  
Impostare **Interruttore: Switch F**  
Impostare **High Rates (Ratei alti): 100%, Expo 10% - Low Rates (Ratei bassi): 70%, Expo 5%**
10. Impostare **Dual Rate ed Expo**: Selezionare **Elevator (Equilibratore)**  
Impostare **Interruttore: Switch C**  
**High Rates (Ratei alti): 100%, Expo 10% - Low Rates (Ratei bassi): 70%, Expo 5%**
11. Impostare **Dual Rate ed Expo: Timone**  
Impostare **Interruttore: Switch G**  
**High Rates (Ratei alti): 100%, Expo 10% — Low Rates (Ratei bassi): 70%, Expo 5%**
12. Impostare **Throttle Cut (Taglio gas); Interruttore: Switch H, Posizione: -100%**

## Binding del trasmettitore e del ricevitore

Il binding è il processo di programmazione del ricevitore dell'unità di controllo per il riconoscimento del codice GUID (Globally Unique Identifier) di una particolare trasmittente. Per un corretto funzionamento si dovrà effettuare il 'binding' dell'areo selezionato con tecnologia Spektrum DSM2/DSMX al trasmettitore.

Qualsiasi trasmettitore DSM2/DSMX Spektrum può connettersi con il ricevitore DSM2/DSMX.

### Procedura di connessione (binding)

- |   |
|---|
| 1. Consultare il manuale della trasmittente per il binding a un ricevitore (posizione della funzione di binding della trasmittente).  |
| 2. Verificare che la batteria di bordo sia scollegata.  |
| 3. Spegner il trasmettitore.  |
| 4. Posizionare l'aeromodello su una superficie piana e al riparo dal vento.   |
| 5. Collegare la batteria a bordo dell'aereo. Il LED del ricevitore inizia a lampeggiare rapidamente (normalmente dopo 5 secondi).   |
| 6. Accertarsi che i comandi del trasmettitore siano centrati a parte quello del motore che deve essere completamente in basso (al minimo) come pure il suo trim.  |
| 7. Mettere il trasmettitore in modalità connessione (binding). Fare riferimento alle sue istruzioni.  |
| 8. Dopo 5–10 secondi il LED di stato del ricevitore diventa fisso, indicando che il ricevitore è connesso al trasmettitore. Se il LED non dovesse diventare fisso, fare riferimento alla Guida per la risoluzione dei problemi in fondo a questo manuale. |

Per i voli successivi bisogna accendere il trasmettitore 5 secondi prima di connettere la batteria di volo.

## Telemetria integrata

Questo modello fornisce telemetria tra ESC e ricevitore, trasmettendo dati come giri/motore, tensione, corrente motore, impostazione manetta (%), temperatura FET (regolatore di velocità) e temperatura BEC (alimentazione servo).

### Per vedere la telemetria

1. La trasmittente deve già essere associata al ricevitore.
2. Accendere la trasmittente.
3. Accendere l'aeromodello.

4. Una barra indicatrice appare nell'angolo superiore a sinistra dello schermo a segnalare la ricezione del segnale telemetrico.

5. Scorrere oltre il monitor dei servo per accedere alle schermate della telemetria.

Per maggiori informazioni sulle trasmissioni compatibili, gli aggiornamenti firmware e l'utilizzo della tecnologia telemetrica della trasmittente, visitare [www.SpektrumRC.com](http://www.SpektrumRC.com).

## Tecnologia SAFE® Select

Il UMX F-86 Sabre ha due modalità di volo controllato sul Canale 5, SAFE e AS3X. L'interruttore A è quello di default Spektrum per il canale 5. La Posizione 0 è SAFE, la Posizione 1 è AS3X solo.

In modalità SAFE, il modello torna a volare in volo livellato ogni volta che i comandi di equilibratore e alettoni sono in posizione neutra. L'azionamento di equilibratore o alettoni porta il velivolo a inclinarsi, cabrare o picchiare. La corsa dello stick determina l'assetto di volo assunto dal velivolo. Dando pieno comando, l'aereo viene spinto verso i limiti preimpostati di inclinazione e oscillazione, senza superare però tali angoli.

In modalità SAFE, è normale tenere lo stick di comando deflesso con applicazione moderata degli alettoni in

virata. Per volare senza problemi con SAFE, evitare cambi frequenti negli input di controllo e non provare a correggere le deviazioni minori. Mantenere un input di controllo dei comandi intenzionale porta il modello a volare con un angolo specifico e a eseguire tutte le correzioni necessarie per mantenere tale assetto di volo.

Quando si passa dalla modalità SAFE alla modalità AS3X, è necessario prima riportare equilibratore e alettoni in posizione neutra. Se i comandi di equilibratore e alettoni non sono in posizione neutra quando si passa alla modalità AS3X, gli input di comando utilizzati per la modalità SAFE risulteranno eccessivi per la modalità AS3X e il modello reagirà immediatamente.

## Differenze tra le modalità SAFE e AS3X

Questa sezione è in linea di massima accurata, ma non tiene conto della velocità di volo, del livello di carica della batteria e di molti altri fattori limitanti.

		SAFE Select	AS3X
Input di comando	Stick di comando a punto neutro	Il velivolo torna automaticamente in volo livellato	Il velivolo mantiene l'assetto corrente
	Applicazione minima dei comandi	Il velivolo applica angoli moderati di rollio e beccheggio e mantiene l'assetto	Il velivolo continua una lenta manovra di rollio o beccheggio
	Piena applicazione dei comandi	Il velivolo si inclina od oscilla ai limiti predeterminati mantenendo l'assetto	Il velivolo continua una rapida manovra di rollio o beccheggio

### Disattivazione e attivazione di SAFE Select

Per default, la funzione SAFE Select del modello UMX è abilitata e assegnata all'interruttore del canale Carrello (canale 5). Se non si desidera avere accesso a SAFE Select durante il volo, è possibile disabilitarlo. AS3X continua a funzionare anche quando SAFE Select è disabilitato.

**IMPORTANTE:** prima di disabilitare o abilitare SAFE Select, assicurarsi che i canali di alettoni, equilibratore, timone, manetta e carrello siano tutti su corsa lunga con corsa impostata al 100%. Disattivare il blocco manetta se questo è programmato nella trasmittente.

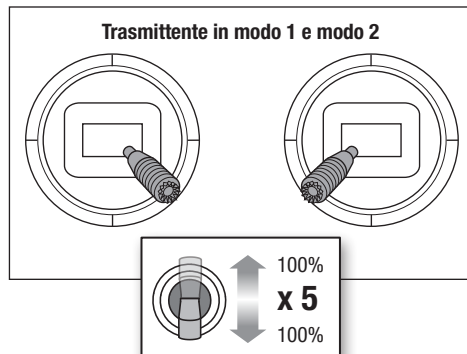
**ATTENZIONE:** tenersi lontani dall'elica e assicurarsi che il velivolo sia ben trattenuto in caso di attivazione accidentale della manetta.

1. Accendere la trasmittente.
2. Accendere l'aeromodello.
3. Tenere entrambi gli stick della trasmittente rivolti verso il basso e verso l'interno e commutare l'interruttore del Carrello per 5 volte (1 commutazione = una corsa completa in su e giù).  
Le superfici di controllo del velivolo si muoveranno, indicando che SAFE Select è stato attivato o disabilitato.

Ripetere di nuovo la procedura per riattivare o disabilitare SAFE Select.

### Trasmittenti DXE e DXS

Su queste trasmittenti l'Interruttore A è l'interruttore FMODE e va commutato tra la posizione 0 e 2 quando si disattiva/attiva la funzione SAFE Select.



## Attivazione del ricevitore/ESC e installazione della batteria

**ATTENZIONE:** tenere sempre le mani lontano dall'elica. Quando il motore è armato, l'elica si potrebbe avviare ad ogni minimo movimento dello stick motore.

Il ricevitore/ESC si arma anche dopo la connessione precedentemente descritta, ma quando si collega successivamente la batteria di bordo, è necessario osservare i passaggi seguenti.

### AS3X

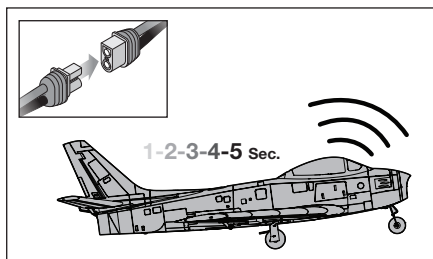
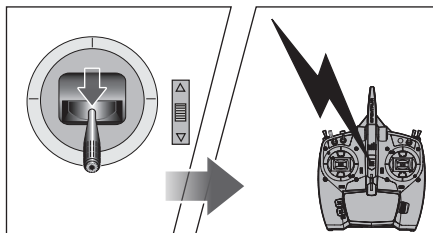
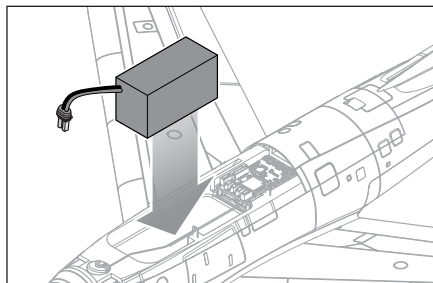
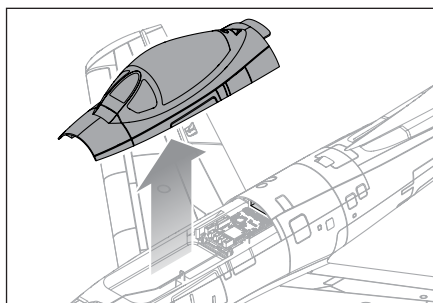
Il sistema AS3X® non si attiva finché lo stick del motore non supera il 25% per la prima volta. Una volta attivo, è possibile che le superfici di controllo sul modello si muovano in modo rapido e rumoroso. Ciò è normale. La tecnologia AS3X rimane attiva fino a quando la batteria non viene scollegata.

1. Aprire il vano batteria.
2. Fissare la batteria con la fascetta a strappo in modo da centrarla nell'alloggiamento.
3. Abbassare la manetta e accendere la trasmittente. Attivare l'interruttore del taglio gas.
4. Collegare la batteria all'ESC, rispettando la polarità. Tenere l'aereo immobile e al riparo dal vento per 5 secondi per consentire l'inizializzazione del sistema AS3X. Una serie di toni e un LED acceso in modo continuo (questo LED può essere difficile da vedere perché si trova all'interno dell'aereo) indicano che la connessione è riuscita.

Un LED blu acceso fisso indica che il modello è in modalità di volo SAFE e un LED rosso fisso indica che il modello è in modalità di volo AS3X. Quando l'aereo è in modalità SAFE, i servo si muovono senza dover portare la manetta oltre il 25%.

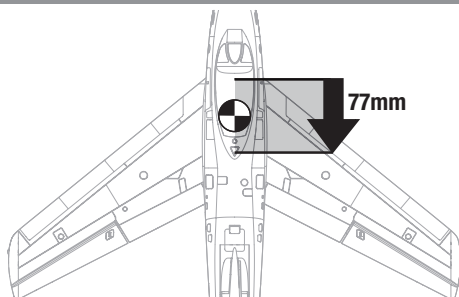
**ATTENZIONE:** quando non si vola, scollegare sempre la batteria LiPo dall'ESC per non alimentare il motore. L'ESC non ha un interruttore per armarlo e quindi risponde subito ad ogni comando del trasmettitore.

**ATTENZIONE:** quando non si usa l'aereo, scollegare sempre la batteria LiPo dall'impianto ricevente, per evitare la sua sovrascarica. Se queste batterie venissero scaricate al di sotto della loro tensione minima, si potrebbero danneggiare perdendo la capacità e rischiando di provocare un incendio quando si tentasse di ricaricarle.



## Baricentro (CG)

La posizione del baricentro (CG) è a 77 mm dal bordo d'attacco alare, dove l'ala incontra la fusoliera. La posizione del CG viene determinata dopo aver installato la batteria consigliata. Regolare la posizione della batteria in avanti o indietro in modo da portare il modello in equilibrio nel punto raccomandato.





## Verifica della direzione dei comandi

Accendere la trasmittente, abilitare il taglio gas e collegare la batteria. Usare la trasmittente per azionare i comandi di alettoni, equilibratore e timone. Controllare il movimento delle superfici di controllo guardando il velivolo dal retro.

### Equilibratori

1. Tirare lo stick a sé. L'equilibratore deve muoversi verso l'alto, manovra che induce beccheggio verso l'alto.
2. Spingere lo stick dell'equilibratore in avanti. L'equilibratore deve muoversi verso il basso, manovra che induce beccheggio verso il basso.

### Alettoni

3. Muovere lo stick degli alettoni a sinistra. L'alettone di Sinistra deve muoversi verso l'alto e quello di Destra verso il basso, portando l'aereo a inclinarsi a sinistra.
4. Muovere lo stick degli alettoni a destra. Gli alettoni destri devono muoversi verso l'alto e quelli di sinistra verso il basso, manovra che induce il velivolo a inclinarsi a destra.

### Timone

5. Muovere lo stick del timone a sinistra. Il timone deve spostarsi a sinistra, manovra che induce l'imbardata del velivolo a sinistra.
6. Spostare lo stick del timone a destra. Il timone deve spostarsi a destra, manovra che induce l'imbardata del velivolo a destra.

	Comando trasmittente	Risposta della superficie di controllo
Equilibratori		
Alettoni		
Timone		

## Centraggio dei comandi

**Prima di iniziare i voli, o nel caso di un incidente, accertarsi che le superfici di comando siano centrate.**

Per ottenere ciò, regolare meccanicamente le barrette di comando. Non è corretto usare i sub trim del trasmettitore a questo scopo, per via dei limiti meccanici dei servi lineari.

1. Verificare che le superfici di controllo siano centrate quando anche gli stick e i relativi trim sono centrati. I sub trim del trasmettitore devono essere a zero.
2. Rimuovere l'attacco a sfera dalla squadretta di controllo.
3. Regolare l'attacco a sfera in plastica avvitandolo o svitandolo, quindi rimontarlo sulla squadretta.

### Centrare i controlli dopo i primi voli



**Per avere le migliori prestazioni con il sistema AS3X è importante non fare troppe correzioni con i trim.**

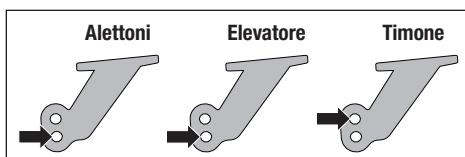
Se fossero necessarie delle correzioni superiori ai 4 click del trim, allora bisogna riportare i trim a zero e regolare i comandi meccanicamente in modo che le superfici di comando restino nelle posizioni trovate con il trimmaggio in volo.

## Impostazione originale delle squadrette

La figura mostra la posizione dei comandi adatta per una risposta più acrobatica. Questa posizione influisce sulla risposta dell'aereo.



**ATTENZIONE:** se le squadrette fossero collegate nel modo sbagliato rispetto al livello di abilità del pilota, si avrebbero delle risposte ai comandi inaspettate causando manovre incontrollabili e conseguente incidente.



## Consigli per il volo e riparazioni



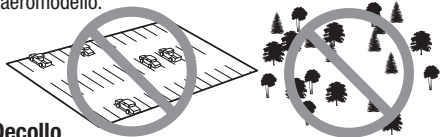
**AVVERTENZA:** Attivare sempre il taglio del gas prima di avvicinarsi all'aeromodello.

### Prova di portata del radiocomando

Verificare la portata della radio insieme con il modello. Per maggiori informazioni si rimanda al manuale della trasmittente.

### Volo

Si raccomanda di far involare l'aeromodello in ambienti all'aperto con vento moderato oppure al coperto, in una palestra di grandi dimensioni. Evitare sempre di volare vicino a case, alberi, edifici e cavi. Fare inoltre attenzione ad evitare aree molto frequentate come parchi affollati, cortili di scuole o campi sportivi. Vedere le leggi e le normative locali prima di scegliere il luogo dove far volare l'aeromodello.



### Decollo

Posizionare l'aeromodello in posizione di decollo (rivolto contro vento se si vola all'aperto). Impostare i dual rate su ratei bassi e portare gradualmente la manetta a  $\frac{3}{4}$  e piena manetta e mantenere la direzione con il timone. Tirare indietro delicatamente l'equilibratore e salire di quota per controllare il trimmaggio. Regolato il trim, è possibile iniziare ad esplorare l'inviluppo di volo dell'aeromodello.

### Lancio a mano

Per il lancio a mano, afferrare delicatamente la parte inferiore della fusoliera, proprio dietro l'ala. Consigliamo il lancio in modalità di volo SAFE. Portare tutta la manetta in avanti e rilasciare il velivolo con un tocco delicato in avanti, leggermente verso l'alto (5-10 gradi sopra all'orizzonte).

## Lancio a mano

**AVVISO:** si consiglia il lancio a mano in modalità SAFE, controvento, al 100% della potenza, con ratei alti.

Quando si lancia a mano in modalità SAFE, il controller rileva la forza del lancio, attivando in automatico la funzione di lancio a mano assistito. In questa modalità, il controller applica l'equilibratore in modo da far salire l'aereo ad un angolo maggiore per alcuni secondi. Per poi tornare subito dopo alla modalità SAFE standard.

### Presenza

Si consiglia di tenere l'aereo dal fondo della fusoliera, appena dietro le ali, come mostrato.

e direttamente nell'aria. Attendere che il modello abbia guadagnato quota e velocità prima di ridurre la manetta come si desidera.

### Atterraggio

Atterrare sempre controvento. Durante la richiamata, mantenere le ali livellate e l'aeromodello rivolto controvento. Ridurre lentamente il motore mentre si riabbassa con dolcezza l'equilibratore per portare l'aereo ad appoggiarsi delicatamente sulle tre ruote.

**AVVISO:** abbassare completamente la manetta quando le ruote toccano terra per evitare danni a elica e a motore.

Se si verifica uno schianto al suolo e gli stick di gas e trim non sono in posizione completamente abbassata, si corre il rischio di provocare danni all'ESC nell'unità ricevente.

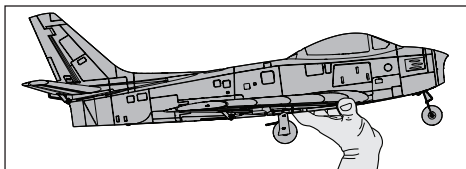
### Protezione da sovra-corrente (OCP)

Il modello è equipaggiato con una funzione di protezione della sovra-corrente. Il sistema OCP protegge il regolatore ESC dal surriscaldamento e arresta il motore quando la manetta della trasmittente è impostata troppo in alta e l'elica non può ruotare. L'OCP si attiva solo quando la manetta è posizionata appena sopra la metà della sua corsa. Quando l'ESC arresta il motore, abbassare completamente la manetta per riarmare l'ESC.

### Riparazioni

La garanzia non copre i danni causati dallo schianto al suolo.

Riparare l'aeromodello usando nastro adesivo trasparente o colla cianoacrilica. Utilizzare solo colla cianoacrilica compatibile con la schiuma, poiché gli altri tipi di colla possono danneggiarla. Se la riparazione non è possibile, vedere nell'elenco dei ricambi il codice del pezzo da ordinare.



### Lancio

Lanciare ruotando il braccio sopra la spalla, con le ali livellate e il muso del modello leggermente verso l'alto. Accompagnare la traiettoria di lancio puntando le dita verso l'aereo dopo il lancio. Evitare le traiettorie di lancio ad arco che possono spingere il muso del modello verso il basso al momento del rilascio.

## Elenco di controllo dopo il volo

Scollare la batteria di volo dal controllo elettronico di velocità (ESC) (operazione obbligatoria per la sicurezza e la durata della batteria).

Accendi il trasmettitore.

Rimuovere la batteria di volo dall'aereo.

Conservare la batteria di volo separatamente dal velivolo e monitorare la carica della batteria.

## Manutenzione del gruppo propulsore

### Smontaggio

**ATTENZIONE:** NON maneggiare l'elica se la batteria è collegata al regolatore (ESC). Rischio di lesioni.

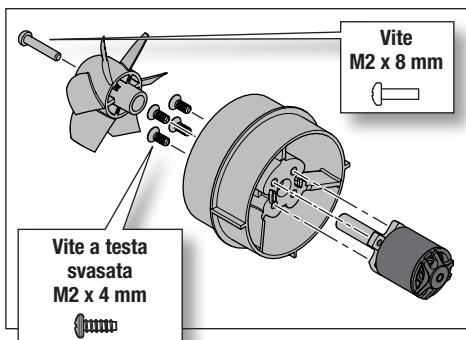
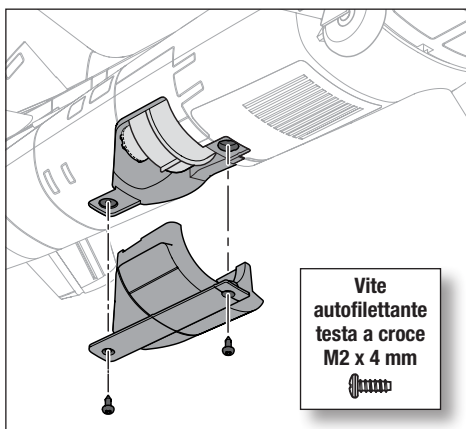
#### Motore

1. Con un cacciavite a stella #0, rimuovere le due viti autofilettanti M2 x 4 mm dal coperchio della ventola e del motore.
2. Scollegare il connettore del filo del motore.
3. Rimuovere il motore e la ventola.
4. Rimuovere la vite M2 x 8 mm dalla ventola con un cacciavite a stella #0.
5. Rimuovere le quattro viti a testa svasata M2 x 4 mm con un cacciavite a stella #0.

### Montaggio

Montare in ordine inverso.

- Assicurarsi che l'adattatore dell'elica e il supporto del motore siano ben collegati al motore.



## Carrello di atterraggio

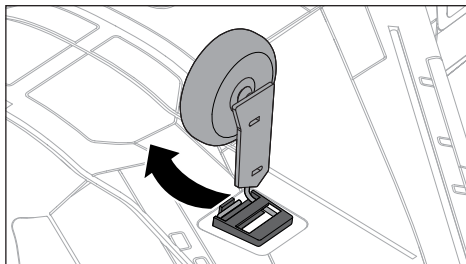
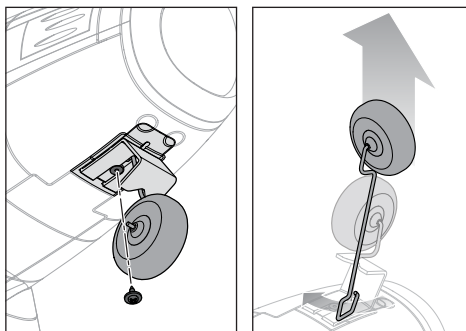
Il carrello di atterraggio dell'aeromobile è montato in fabbrica. Per rimuovere il carrello principale e quello anteriore, procedere come segue.

#### Rimozione del carrello anteriore

1. Rimuovere la vite autofilettante M1.2 x 4 mm con un cacciavite a stella #0. Il portello del carrello anteriore si stacca.
2. Estrarre il carrello anteriore dalla fusoliera, quindi ruotare la ruota di 90° per rimuovere il filo dalla fessura.

#### Rimozione del carrello principale

1. Usare un piccolo cacciavite a testa piatta per fare delicatamente leva sul filo sopra il fermo.
2. Estrarre il carrello di atterraggio dal fermo.



## Guida alla risoluzione dei problemi del sistema AS3X

Problema	Possibile causa	Soluzione
Le superfici di controllo non sono in posizione neutra quando i controlli del trasmettitore sono in posizione neutra	Le superfici di controllo possono non essere state centrate meccanicamente dalla fabbrica	Centrare le superfici di controllo meccanicamente impostando i tubi a U sui giunti di controllo
	L'aereo è stato mosso dopo che la batteria era connessa e prima dell'inizializzazione dei sensori	Disconnettere e riconnettere la batteria di volo mantenendo l'aereo fermo per 5 secondi
Il modello vola in maniera diversa durante i vari voli	Il modello non era immobile per 5 secondi dopo l'inserimento della batteria	Mantenere il modello immobile per 5 secondi dopo aver inserito la batteria
	I trim sono posizionati troppo lontani dalla posizione neutra	Neutralizzare i trim è regolare meccanicamente i giunti per centrare le superfici di controllo
I controlli oscillano durante il volo (il modello salta o si muove a scatti)	L'elica è sbilanciata, causando eccessive vibrazioni	Rimuovere l'elica e bilanciarla, oppure sostituirla se è danneggiata
	La vite dell'elica è allentata e provoca vibrazioni	Stringere la vite dell'elica

## Guida alla risoluzione dei problemi

Problema	Possibile causa	Soluzione
Il velivolo non risponde al throttle, ma risponde ad altri comandi	Barra del throttle o trim del throttle troppo alta	Ripristinare i comandi tenendo lo stick del throttle e il trim del throttle nella posizione più bassa
	Il canale del throttle è invertito	Invertire il canale del throttle sul trasmettitore
	Motore disconnesso dal ricevitore	Aprire la fusoliera ed assicurarsi che il motore sia connesso al ricevitore
Rumore e vibrazioni eccessive dell'elica	Elica, ogiva dell'elica o motore danneggiati	Sostituisci i componenti danneggiati
	La vite dell'elica è allentata	Stringere la vite dell'elica
	L'elica non è bilanciata	Bilanciare l'elica
Riduzione del tempo di volo o della potenza del velivolo	La carica della batteria di volo è bassa	Ricaricare completamente la batteria di volo
	L'elica è montata a rovescio	Montare l'elica con la superficie con i numeri rivolta in avanti
	La batteria di volo è danneggiata	Sostituire la batteria di volo e seguire le istruzioni per la batteria di volo
	Il volo potrebbe effettuarsi in condizioni di freddo eccessivo	Assicurarsi che la batteria sia tiepida prima dell'uso
	La capacità della batteria troppo bassa per le condizioni di volo	Sostituire la batteria o utilizzare una batteria con capacità maggiori
Il LED sul ricevitore lampeggia velocemente e il velivolo non si collega al trasmettitore (durante il binding)	Il trasmettitore è troppo vicino al velivolo durante il processo di binding	Spegnere il trasmettitore, aumentare la distanza fra il trasmettitore e il velivolo, di scommettere e riconnettere la batteria di volo al velivolo e seguire le istruzioni di binding
	L'interruttore o il pulsante di collegamento non è tenuto abbastanza lungo durante il processo di binding	Spegnere il trasmettitore e ripetere il processo di binding. Tenere il pulsante di binding premuto sul trasmettitore finché il ricevitore non viene sincronizzato
	Il velivolo o il trasmettitore sono troppo vicini ad altri trasmettitori o fonti wireless	Spostare il modello e la trasmittente in un luogo diverso e riprovare la procedura di binding

## Guida alla risoluzione dei problemi

Problema	Possibile causa	Soluzione
Il LED sul ricevitore lampeggia velocemente e il velivolo non si collega al trasmettitore (dopo il binding)	Meno di 5 secondi di attesa fra la prima ricezione del trasmettitore e il collegamento della batteria di volo al velivolo	Lasciare il trasmettitore acceso, disconnettere e riconnettere la batteria di volo al velivolo
	È stato effettuato il binding del velivolo alla memoria di un modello differente (solo radio ModelMatch)	Selezionare la corretta memoria del modello sul trasmettitore, disconnettere e riconnettere la batteria di volo al velivolo
	La carica della batteria di volo o del trasmettitore è troppo bassa	Sostituire le batterie
	La trasmittente potrebbe essere stata Bindata ad un modello differente (o con un protocollo DSM differente)	Selezionare il giusto trasmettitore o effettuare nuovamente il Binding con un trasmettitore diverso
	Il velivolo o il trasmettitore sono troppo vicini ad altri trasmettitori o fonti wireless	Spostare il modello e la trasmittente in un luogo diverso e riprovare la procedura di riconoscimento
La superficie di controllo non si muove	La superficie di controllo, il giunto o il servo sono danneggiati	Sostituire o riparare i componenti danneggiati e regolare i comandi
	Il cavo è danneggiato o i connettori sono allentati	Eeguire un controllo dei cavi e dei connettori, collegare o sostituire se necessario
	La carica della batteria di volo è bassa	Ricaricare completamente la batteria di volo
	I giunti di controllo non si muovono	Accertarsi che i giunti si muovano liberamente
Comandi invertiti	Le impostazioni del trasmettitore sono invertite	Impostare i controlli sul trasmettitore in modo corretto
Il motore perde potenza	Danno al motore o ai componenti di alimentazione	Eeguire un controllo del motore e dei componenti per vedere se presentano danni (sostituire se necessario)
La potenza del motore diminuisce e aumenta rapidamente, poi il motore perde potenza	L'alimentazione della batteria è sotto il livello del ricevitore /ESC taglio a bassa tensione (LVC)	Ricaricare la batteria di volo o sostituire la batteria che non funziona più correttamente
Il motore/ESC non è attivato dopo l'atterraggio	La protezione da sovracorrente (OCP) arresta il motore se il throttle del trasmettitore è impostato ad un valore elevato e l'elica non può ruotare	Abbassa il throttle e il trim del throttle per azionare l'ESC
Servo lock o freezes alla massima corsa	Il valore di impostazione della corsa è impostato oltre il 100%, sovraccaricando il servo	Impostare la corsa al 100% o ad un valore inferiore e/o impostare i sub-trim a zero e regolare i giunti meccanicamente

## Pezzi di ricambio

Parte #	Descrizione
EFLU7051	Fusoliera verniciata: UMX F-86 Sabre
EFLU7052	Set coda: UMX F-86 Sabre
EFLU7053	Set squadrette comando: UMX F-86 Sabre
EFLU7054	Set carrello atterraggio: UMX F-86 Sabre
EFLU7055	Tettuccio/portello batteria: UMX F-86 Sabre
EFLU7056	Decalcomanie: UMX F-86 Sabre
EFLU7057	Set aste comando: UMX F-86 Sabre
EFLU7058	Set ventola 30 x 20,5 mm
EFLU7059	Rotore ventola 30 x 82 mm
EFLU7060	Coperchio ventola: UMX F-86 Sabre
EFLU7061	Set prolunghe: UMX F-86 Sabre
SPMA3191	Unità ESC/ricevitore: UMX F-86 Sabre
SPMSA201	A201 servo lineare corsa lunga 2,3 g
SPMXAM3200	Motore Brushless: 1010-8300kv

## Garanzia

**Periodo di garanzia**—Garanzia esclusiva - Horizon Hobby, LLC (Horizon) garantisce che il prodotto acquistato (il "Prodotto") sarà privo di difetti relativi ai materiali e di eventuali errori di montaggio alla data di acquisto. Il periodo di garanzia è conforme alle disposizioni legali del paese nel quale il prodotto è stato acquistato. Tale periodo di garanzia ammonta a 6 mesi e si estende ad altri 18 mesi dopo tale termine.

**Limiti della garanzia**—(a) La garanzia è limitata all'acquirente originale (Acquirente) e non è cedibile a terzi. L'acquirente ha il diritto a far riparare o a far sostituire la merce durante il periodo di questa garanzia. La garanzia copre solo quei prodotti acquistati presso un rivenditore autorizzato Horizon. Altre transazioni di terze parti non sono coperte da questa garanzia. La prova di acquisto è necessaria per far valere il diritto di garanzia. Inoltre, Horizon si riserva il diritto di cambiare o modificare i termini di questa garanzia senza alcun preavviso e di escludere tutte le altre garanzie già esistenti.

(b) Horizon non si assume alcuna garanzia per la disponibilità del prodotto, per l'adeguatezza o l'idoneità del prodotto a particolari previsti dall'utente. È sola responsabilità dell'acquirente il fatto di verificare se il prodotto è adatto agli scopi da lui previsti.

(c) Richiesta dell'acquirente - spetta soltanto a Horizon, a propria discrezione riparare o sostituire qualsiasi prodotto considerato difettoso e che rientra nei termini di garanzia. Queste sono le uniche rivalse a cui l'acquirente si può appellare, se un prodotto è difettoso.

Horizon si riserva il diritto di controllare qualsiasi componente utilizzato che viene coinvolto nella rivalsa di garanzia. Le decisioni relative alla sostituzione o alla riparazione sono a discrezione di Horizon. Questa garanzia non copre dei danni superficiali o danni per cause di forza maggiore, uso errato del prodotto, un utilizzo che viola qualsiasi legge, regola-

## Parti consigliate

Parte #	Descrizione
SPMR7100	NX7e 7 canali solo trasmittente
SPMX4504SIC2	Batteria 14,8 V 450 mAh 4S 30C LiPo: IC2
SPMXC209	Caricabatterie Smart USB-C S100 G2
SPMXCA320	Adattatore: batteria IC3 / dispositivo IC2

## Pezzi opzionali e accessori

Parte #	Descrizione
SPMR8200	NX8 8 canali DSMX solo trasmittente
SPMR10100	NX10 10 canali DSMX solo trasmittente
SPMXC2060	Caricabatterie Smart S250 2x50 W AC
SPMXC2080	Caricabatterie Smart S1100 G2 1x100 W AC

mentazione o disposizione applicabile, negligenza, uso ai fini commerciali, o una qualsiasi modifica a qualsiasi parte del prodotto.

Questa garanzia non copre danni dovuti ad un'installazione errata, ad un funzionamento errato, ad una manutenzione o un tentativo di riparazione non idonei a cura di soggetti diversi da Horizon. La restituzione del prodotto a cura dell'acquirente, o da un suo rappresentante, deve essere approvata per iscritto dalla Horizon.

**Limiti di danno**—Horizon non si riterrà responsabile per danni speciali, diretti, indiretti o consequenziali; perdita di profitto o di produzione; perdita commerciale connessa al prodotto, indipendentemente dal fatto che la richiesta si basa su un contratto o sulla garanzia. Inoltre la responsabilità di Horizon non supera mai in nessun caso il prezzo di acquisto del prodotto per il quale si chiede la responsabilità. Horizon non ha alcun controllo sul montaggio, sull'utilizzo o sulla manutenzione del prodotto o di combinazioni di vari prodotti. Quindi Horizon non accetta nessuna responsabilità per danni o lesioni derivanti da tali circostanze. Con l'utilizzo e il montaggio del prodotto l'utente acconsente a tutte le condizioni, limitazioni e riserve di garanzia citate in questa sede.

Qualora l'utente non fosse pronto ad assumersi tale responsabilità associata all'uso del prodotto, si suggerisce di restituire il prodotto intatto, mai usato e immediatamente presso il venditore.

**Indicazioni di sicurezza**—Questo è un prodotto sofisticato di hobbistica e non è un giocattolo. Esso deve essere manipolato con cautela, con giudizio e richiede delle conoscenze basilari di meccanica e delle facoltà mentali di base. Se il prodotto non verrà manipolato in maniera sicura e responsabile potrebbero risultare delle lesioni, dei gravi danni a persone, al prodotto o all'ambiente circostante. Questo prodotto non è concepito per essere usato dai bambini senza

una diretta supervisione di un adulto. Il manuale del prodotto contiene le istruzioni di sicurezza, di funzionamento e di manutenzione del prodotto stesso. È fondamentale leggere e seguire tutte le istruzioni e le avvertenze nel manuale prima di mettere in funzione il prodotto. Solo così si eviterà un utilizzo errato e si eviteranno incidenti, lesioni o danni.

**Domande, assistenza e riparazioni**—Il vostro negozio locale e/o luogo di acquisto non possono fornire garanzie di assistenza o riparazione senza previo colloquio con Horizon. Questo vale anche per le riparazioni in garanzia. Quindi in tale casi bisogna interpellare un rivenditore, che si metterà in contatto subito con Horizon per prendere una decisione che vi possa aiutare nel più breve tempo possibile.

**Manutenzione e riparazione**—Se il prodotto deve essere ispezionato o riparato, si prega di rivolgersi ad un rivenditore specializzato o direttamente ad Horizon. Il prodotto deve essere imballato con cura. Bisogna far notare che i box originali solitamente non sono adatti per effettuare una spedizione senza subire alcun danno. Bisogna effettuare una spedizione via corriere che fornisce una tracciabilità e un'assicurazione, in quanto Horizon non si assume alcuna responsabilità in relazione alla spedizione del prodotto. Inserire il prodotto in una busta assieme ad una descrizione dettagliata degli errori e ad una lista di tutti i singoli componenti spediti. Inoltre abbiamo

bisogno di un indirizzo completo, di un numero di telefono per chiedere ulteriori domande e di un indirizzo e-mail.

**Garanzia e riparazione**—Le richieste in garanzia verranno elaborate solo se è presente una prova d'acquisto in originale proveniente da un rivenditore specializzato autorizzato, nella quale è ben visibile la data di acquisto. Se la garanzia viene confermata, allora il prodotto verrà riparato o sostituito. Questa decisione spetta esclusivamente a Horizon Hobby.

**Riparazioni a pagamento**—Se bisogna effettuare una riparazione a pagamento, effettueremo un preventivo che verrà inoltrato al vostro rivenditore. La riparazione verrà effettuata dopo l'autorizzazione da parte del vostro rivenditore. La somma per la riparazione dovrà essere pagata al vostro rivenditore. Le riparazioni a pagamento avranno un costo minimo di 30 minuti di lavoro e in fattura includeranno le spese di restituzione. Qualsiasi riparazione non pagata e non richiesta entro 90 giorni verrà considerata abbandonata e verrà gestita di conseguenza.

**ATTENZIONE:** Le riparazioni a pagamento sono disponibili solo sull'elettronica e sui motori. Le riparazioni a livello meccanico, soprattutto per gli elicotteri e le vetture RC, sono molto costose e devono essere effettuate autonomamente dall'acquirente.

10/15

## Garanzia e Assistenza - Informazioni per i contatti

Stato di acquisto	Horizon Hobby	Telefono/Indirizzo e-mail	Indirizzo
Unione Europea	Horizon Technischer Service Sales: Horizon Hobby GmbH	service@horizonhobby.de +49 (0) 4121 2655 100	Hanskampring 9 D 22885 Barsbüttel, Germany

## Dichiarazione di conformità per l'Unione europea

**CE** Dichiarazione di conformità UE:  
**EFL UMX F-86 Sabre 30mm EDF BNF Basic (EFLU7050):** Con la presente, Horizon Hobby,

LLC dichiara che il dispositivo è conforme a quanto segue: Direttiva europea sulle apparecchiature radio (RED) 2014/53/UE, Direttiva RoHS 2 2011/65 / UE, Direttiva RoHS 3 - Modifica 2011/65 / UE allegato II 2015/863.

Il testo completo della dichiarazione di conformità UE è disponibile al seguente indirizzo internet: <https://www.horizonhobby.com/content/support-rendercompliance>.

**Range di frequenze wireless e potenza di uscita wireless:**

**Ricevitore:**  
2402–2478 MHz  
1.43dBm

**Fabbricante registrato UE:**

Horizon Hobby, LLC  
2904 Research Road  
Champaign, IL 61822 USA

**Importatore registrato UE:**

Horizon Hobby, GmbH  
Hanskampring 9  
22885 Barsbüttel Germany

**AVVISO RAEE:**



Questo dispositivo è marcato ai sensi della Direttiva europea 2012/19/UE riguardante i rifiuti di apparecchiature elettriche ed elettroniche (RAEE). Il simbolo indica che il prodotto non va smaltito insieme ai rifiuti domestici. Il prodotto deve essere consegnato agli appositi centri di raccolta per consentirne il recupero e il riciclaggio.



©2023 Horizon Hobby, LLC.

E-flite, Bind-N-Fly, BNF, the BNF logo, DSM, DSM2, DSMX, Spektrum AirWare, EC3, IC3, AS3X, SAFE, the SAFE logo, ModelMatch, and the Horizon Hobby logo are trademarks or registered trademarks of Horizon Hobby, LLC.

The Spektrum trademark is used with permission of Bachmann Industries, Inc.

All other trademarks, service marks and logos are property of their respective owners.

US 8,672,726 US 9,056,667 US 9,753,457. US 10,078,329. US 9,930,567. US 10,419,970. Other patents pending.  
<http://www.horizonhobby.com/>